



**PARTS
CATALOGUE**

C25MHU (61R)
C30MHU/ERU (61T)
25VM'96 (61R)
30GM'96 (61T)

YAMAHA
GENUINE
Parts & Accessories

1U61T-100E1

FOREWORD

This Parts Catalogue is related to the parts for the model(s) in the below frame. When you are ordering replacement parts, please refer to this Parts Catalogue and quote both part numbers and part names correctly.

C25MHU(61R) , C30MHU(61T) , C30ERU(61T)
25VM'96(61R), 30GM'96(61T)

1. Modifications or additions which have been made after issue of the Parts Catalogue will be announced in the Yamaha Parts News.
It is advisable that you make necessary corrections to the Parts Catalogue according to the Yamaha Parts News.

2. Abbreviations

The following abbreviations are used in this Parts Catalogue.

- | | |
|---|-------------------------------|
| "UR" Use specified parts number. | "M" Manual start model |
| "UN" Use as many as needed. | "E" Electric start model |
| "AP" Alternate Parts | "PTT" Power Trim & Tilt model |
| "LM" Local Made
(Parts need to be ordered locally) | "H/T" Hydro Tilt model |
| "O/S" Over Size | "M/T" Manual Tilt model |
| | "T.H/D" Tiller Handle model |

3. Parts, which are to be supplied in an assembly, are listed with a dot (.) in front of the part name as shown below.

EXAMPLE

- CARBURETOR ASSY
- . JET, PILOT
- . NOZZLE, MAIN

4. Number of component for assembly

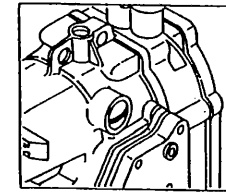
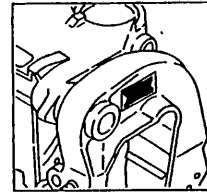
The numeral appearing to the right of each component part indicates the quantity of parts for each assembly unit.

EXAMPLE

PART NO.	DESCRIPTION	Q'TY	REMARKS
6E0-85500-70	C.D.I. MAGNETO ASSY	1	
6E0-85550-70	. ROTOR ASSY	1	
6E0-15723-00-94	. . PULLY, STARTER	1	

5. Applicable Serial No. and Color Code

Engine Serial No.	
	C25MSHU : 004497 ~
	C25MLHU : 307493 ~
	C30MSHU : 003199 ~
	C30MLHU : 307721 ~
	C30ELRU : 402046 ~
25VM S :	004497 ~
	L : 307493 ~
30GM S :	003199 ~
	L : 307721 ~



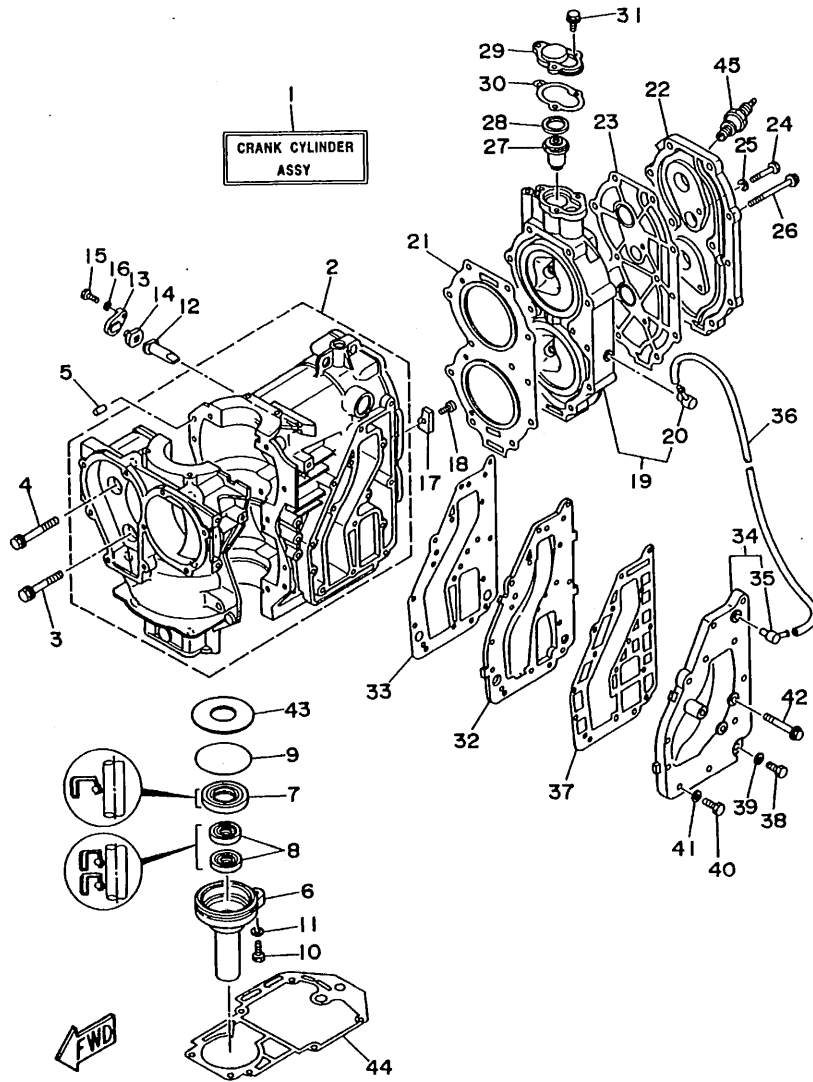
Color Code	Color Name	Abbreviation
4D	DARK BLUISH GRAY METALLIC 2	DBNM2

6. Note that the illustrations are for reference in finding parts numbers, not to be used for assembling. When assembling, please use the applicable service manual.

CONTENTS

FIG. 1	CYLINDER. CRANKCASE	A4, A5
FIG. 2	CRANKSHAFT. PISTON.....	A6
FIG. 3	INTAKE	A7
FIG. 4	CARBURETOR	B1, B2
FIG. 5	STARTER	B3~B5
FIG. 6	FUEL	B6, B7
FIG. 7	TOP COWLING	C1
FIG. 8	BOTTOM COWLING	C2
FIG. 9	BRACKET 1	C3~C6
FIG. 10	STEERING	C7
FIG. 11	CONTROL	D1, D2
FIG. 12	UPPER CASING	D3
FIG. 13	LOWER CASING. DRIVE 1.....	D4~D6
FIG. 14	LOWER CASING. DRIVE 2.....	D7
FIG. 15	GENERATOR.....	E1
FIG. 16	STARTING MOTOR.....	E2
FIG. 17	ELECTRICAL 1	E3, E4
FIG. 18	ELECTRICAL 2 (ELECTRIC STARTER)	E5, E6
FIG. 19	REPAIR KIT 1	E7
FIG. 20	REPAIR KIT 2	F1, F2
	NUMERICAL INDEX	

FIG. 1 CYLINDER. CRANKCASE



REF. NO.	PART NO.	DESCRIPTION	Q'TY	REMARKS
1	61N-W0090-00-4D	CRANK CYLINDER ASSY (REF.NO. 2 TO 44 AND FIG.2, REF.NO. 1 TO 21)	1	UR C25/25V
	61T-W0090-01-4D	CRANK CYLINDER ASSY (REF.NO. 2 TO 44 AND FIG.2, REF.NO. 1 TO 21)	1	UR C30/30G
2	61N-15100-00-94	CRANKCASE ASSY	1	
3	90119-08M18	BOLT, WITH WASHER	2	
4	90119-08M20	BOLT, WITH WASHER	8	
5	93606-12019	PIN, DOWEL	2	
6	689-15396-01-5B	HOUSING, OIL SEAL	1	
7	93102-25M28	OIL SEAL	1	
8	93101-16M36	OIL SEAL	2	
9	93210-57M09	O-RING	1	
10	97395-06022	BOLT	1	
11	92990-06600	WASHER, PLATE	1	
12	6J8-11325-00	ANODE	1	
13	6H3-11327-00-94	COVER, ANODE	1	
14	6H3-11328-00	GROMMET, ANODE	1	
15	97095-06016	BOLT	1	
16	92990-06600	WASHER, PLATE	1	
17	689-11325-00	ANODE	1	
18	98780-06020	SCREW, FLAT HEAD	1	
19	61N-11111-01-94	HEAD, CYLINDER 1	1	UR C25/25V
	61T-11111-01-94	HEAD, CYLINDER 1	1	UR C30/30G
20	676-11372-00	.NIPPLE, HOSE	1	
21	61N-11181-A0	GASKET, CYLINDER HEAD 1	1	
22	61N-11191-01-9M	COVER, CYLINDER HEAD 1	1	

FIG. 1 CYLINDER. CRANKCASE

REF. NO.	PART NO.	DESCRIPTION	Q'TY	REMARKS
23	61T-11193-A0	GASKET, HEAD COVER 1	1	
24	97313-06022	BOLT	2	
25	92990-06600	WASHER, PLATE	2	
26	90119-08M29	BOLT, WITH WASHER	11	
27	6E5-12411-01	THERMOSTAT	1	
28	90201-21567	WASHER, PLATE	1	
29	655-12413-01-9M	COVER, THERMOSTAT	1	
30	655-12414-A1	GASKET, COVER	1	
31	97595-06520	BOLT, WITH WASHER	3	
32	6K8-41121-00-9M	INNER COVER, EXHAUST	1	
33	6K8-41122-A1	GASKET, EXHAUST INNER COVER	1	
34	61N-41123-00-9M	OUTER COVER, EXHAUST	1	
35	676-11372-00	.NIPPLE, HOSE	1	
36	90445-10M41	HOSE	1	
37	6K8-41124-A1	GASKET, EXHAUST OUTER COVER	1	
38	97095-06025	BOLT	1	
39	92990-06600	WASHER, PLATE	1	
40	97095-06030	BOLT	11	
41	92990-06600	WASHER, PLATE	11	
42	90119-06MA0	BOLT, WITH WASHER	3	
43	90201-50306	WASHER, PLATE	1	
44	689-45113-A1	GASKET, UPPER CASING	1	
45	94701-00217	PLUG, SPARK (NGK B7HS-10)	2	UR (25) OCEANIA
	94702-00271	PLUG, SPARK (NGK BR7HS-10)	2	UR (25) CANADA
	94701-00160	PLUG, SPARK (NGK B8HS-10)	2	UR (30) USA, OCEANIA
	94702-00247	PLUG, SPARK (NGK BR8HS-10)	2	UR (30) CANADA

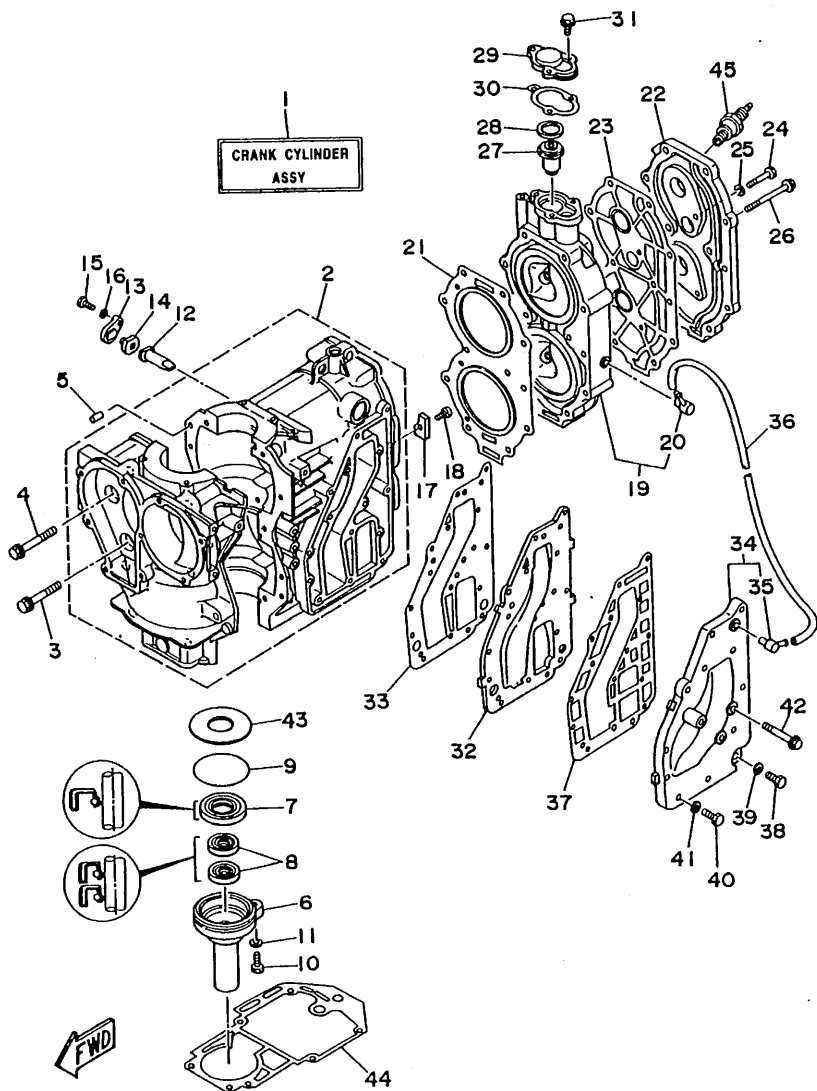
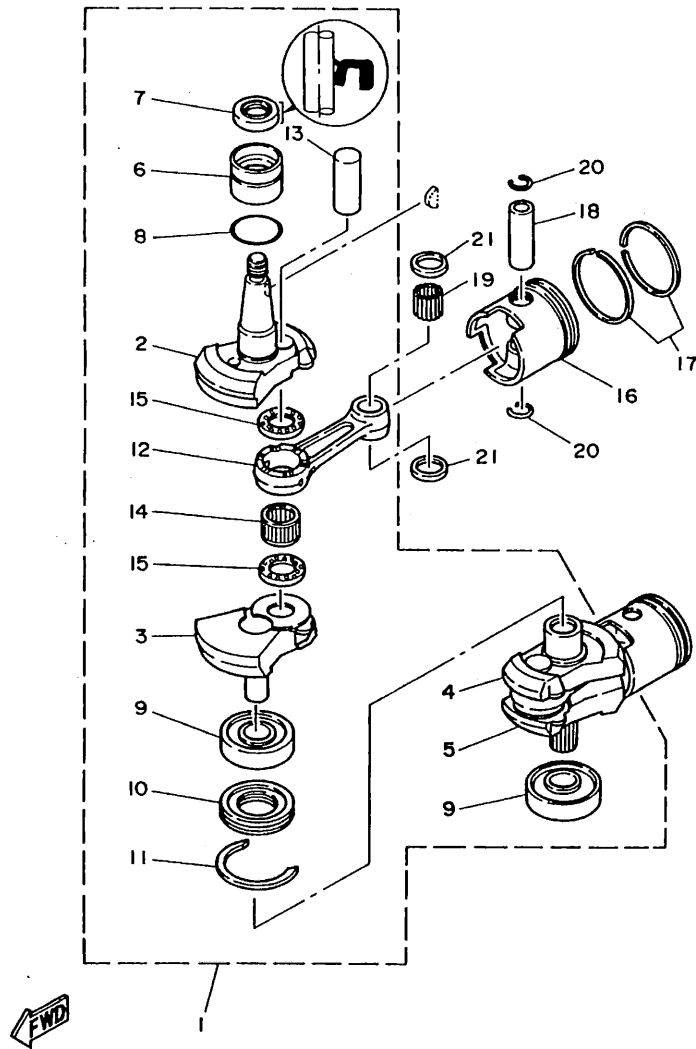


FIG. 2 CRANKSHAFT. PISTON



REF. NO.	PART NO.	DESCRIPTION	Q'TY	REMARKS
1	61N-11400-00	CRANKSHAFT ASSY	1	
2	61N-11412-00	.CRANK 1	1	
3	61N-11422-00	.CRANK 2	1	
4	61N-11432-00	.CRANK 3	1	
5	61N-11442-00	.CRANK 4	1	
6	93311-632U7	.BEARING, CYLINDRICAL	1	
7	93102-26M27	.OIL SEAL	1	
8	93210-42159	.O-RING	1	
9	93306-305U3	.BEARING	2	
10	61N-11515-00	.SEAL, LABYRINTH 1	1	
11	93440-62057	.CIRCLIP	1	
12	689-11651-00	.ROD, CONNECTING	2	
13	689-11681-01	.PIN, CRANK 1	2	
14	93310-624U5	.BEARING, CYLINDRICAL	2	
15	90209-24M03	.WASHER	4	
16	61N-11631-00-95	PISTON (STD)	2	
	61N-11635-00	PISTON (0.25MM O/S)	2	AP EXCEPT USA
	61N-11636-00	PISTON (0.50MM O/S)	2	AP
17	61N-11603-00	PISTON RING SET (STD)	2	
	61N-11604-00	PISTON RING SET (0.25MM O/S)	2	AP EXCEPT USA
	61N-11605-00	PISTON RING SET (0.50MM O/S)	2	AP
18	689-11633-00	PIN, PISTON	2	
19	93602-20M02	PIN, DOWEL	68	
20	688-11634-00	CLIP, PISTON PIN	4	
21	90201-20M27	WASHER, PLATE	4	

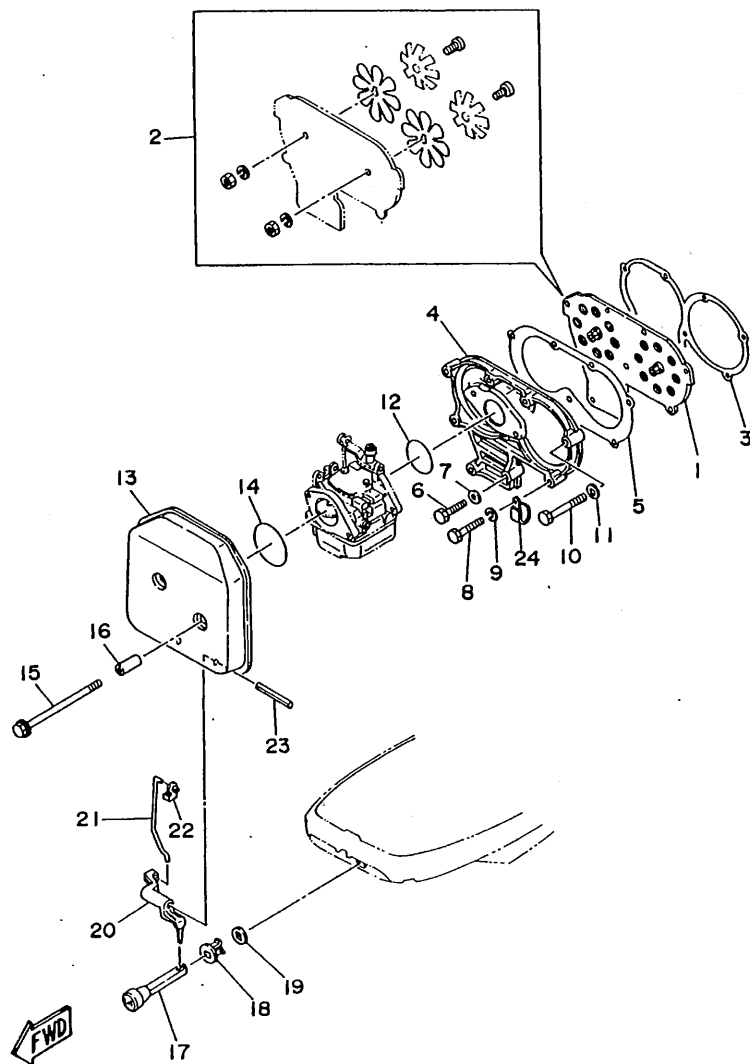
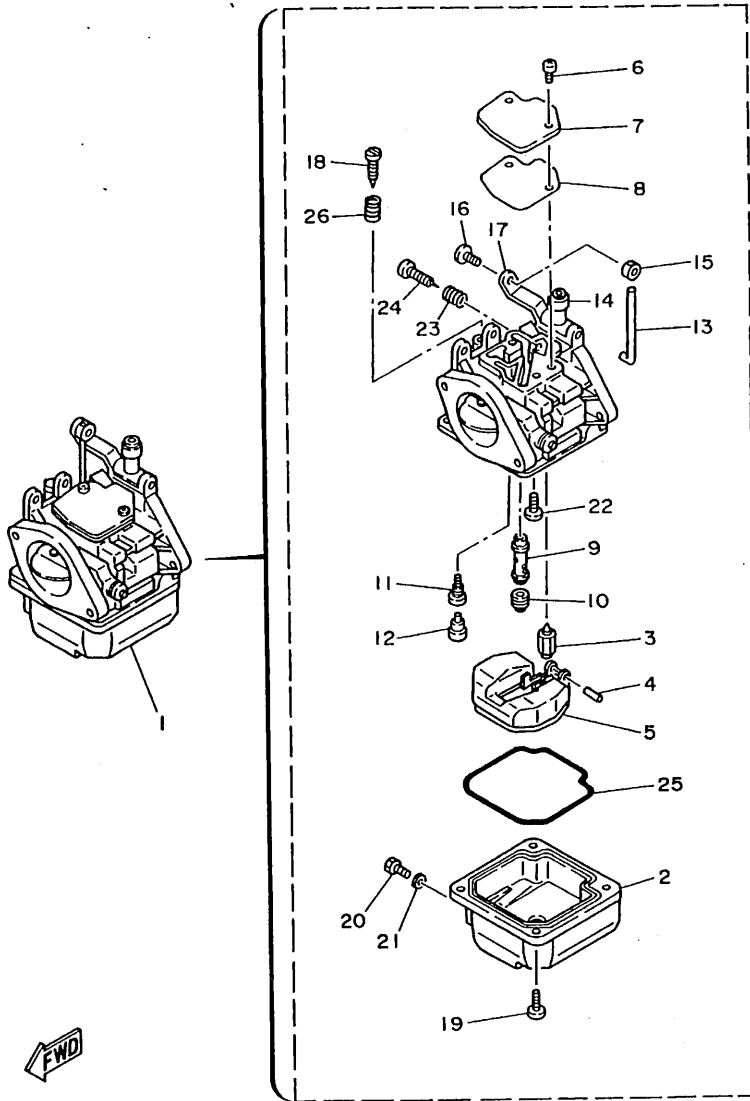


FIG. 3 INTAKE

REF. NO.	PART NO.	DESCRIPTION	Q'TY	REMARKS
1	61N-13610-00	REED VALVE ASSY	1	UR C25/25V
	689-13610-01	REED VALVE ASSY	1	UR C30/30G
2	689-W0004-00	.REED SET	1	
3	648-13621-A1	GASKET, VALVE SEAT	1	
4	61N-13641-00-94	MANIFOLD 1	1	
5	648-13645-A0	GASKET, MANIFOLD 1	1	
6	97095-06025	BOLT	2	
7	92990-06600	WASHER, PLATE	2	
8	97014-06035	BOLT	7	UR M
	97014-06035	BOLT	6	UR E
9	92990-06600	WASHER, PLATE	7	UR M
	92990-06600	WASHER, PLATE	6	UR E
10	97313-06050	BOLT	1	E
11	92990-06600	WASHER, PLATE	1	E
12	61N-14198-00	GASKET	1	
13	61N-14440-00	SILENCER ASSY, INTAKE	1	
14	93210-40659	O-RING	1	
15	90119-06M94	BOLT, WITH WASHER	2	
16	90387-06M26	COLLAR	2	
17	682-41271-00	KNOB, CHOKE	1	
18	689-41273-00	GROMMET	1	
19	6J8-41274-00	GROMMET 2	1	
20	689-41252-01	LEVER, CHOKE	1	
21	61N-41256-00	ROD, CHOKE 1	1	
22	661-41262-02	JOINT, CHOKE LEVER	1	
23	91690-40048	PIN, SPRING	1	
24	90465-08M51	CLAMP	1	

FIG. 4 CARBURETOR

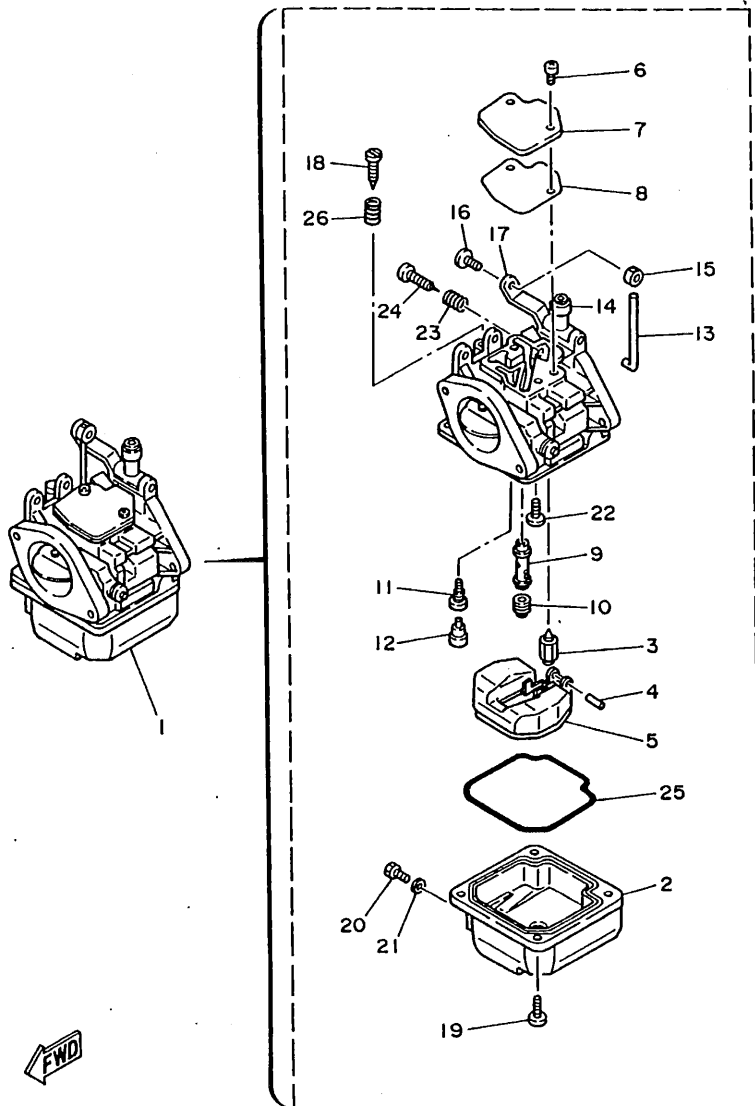


REF. NO.	PART NO.	DESCRIPTION	Q'TY	REMARKS
1	61N-14301-01	CARBURETOR ASSY 1	1	UR C25/25V
	61T-14301-00	CARBURETOR ASSY 1	1	UR C30/30G
2	61N-14381-00	.BODY, FLOAT CHAMBER	1	
3	61N-14392-00	.VALVE, NEEDLE	1	
4	6E5-14386-01	.PIN, FLOAT	1	
5	6L2-14385-00	.FLOAT	1	
6	98580-04010	.SCREW, PAN HEAD	2	
7	6L2-14157-00	.COVER, MIXING	1	
8	6L2-14399-00	.GASKET	1	
9	61N-14341-00	.NOZZLE, MAIN	1	UR C25/25V
	61T-14341-00	.NOZZLE, MAIN	1	UR C30/30G
10	61N-14343-63	.JET, MAIN (#125)	1	UR C25/25V
	61N-14343-65	.JET, MAIN (#130)	1	UR C30/30G
11	6L2-14342-32	.JET, PILOT (# 64)	1	
12	50M-14355-00	.PLUG	1	
13	6J0-14379-10	.ROD, STARTER	1	
14	626-42658-00	.BUSHING	1	
15	677-41226-00	.END, THROTTLE LEVER	1	
16	677-14327-00	.SCREW	1	
17	61N-41216-00	.SHEAVE SHAFT, ACCEL. LINK	1	
18	664-14321-01	.SCREW, THROTTLE	1	
19	98580-04012	.SCREW, PAN HEAD	4	
20	677-14383-01	.SCREW, DRAIN	1	
21	6L2-14398-00	.GASKET	1	
22	98980-04006	.SCREW, BIND	2	
23	646-14212-01	.SPRING, PILOT ADJUSTING	1	
24	61N-14323-00	.SCREW, AIR ADJUSTING	1	
25	6L2-14384-00	.GASKET, FLOAT CHAMBER	1	

B1

FIG. 4 CARBURETOR

REF. NO.	PART NO.	DESCRIPTION	Q'TY	REMARKS
26	61N-14212-00	.SPRING, PILOT ADJUSTING	1	



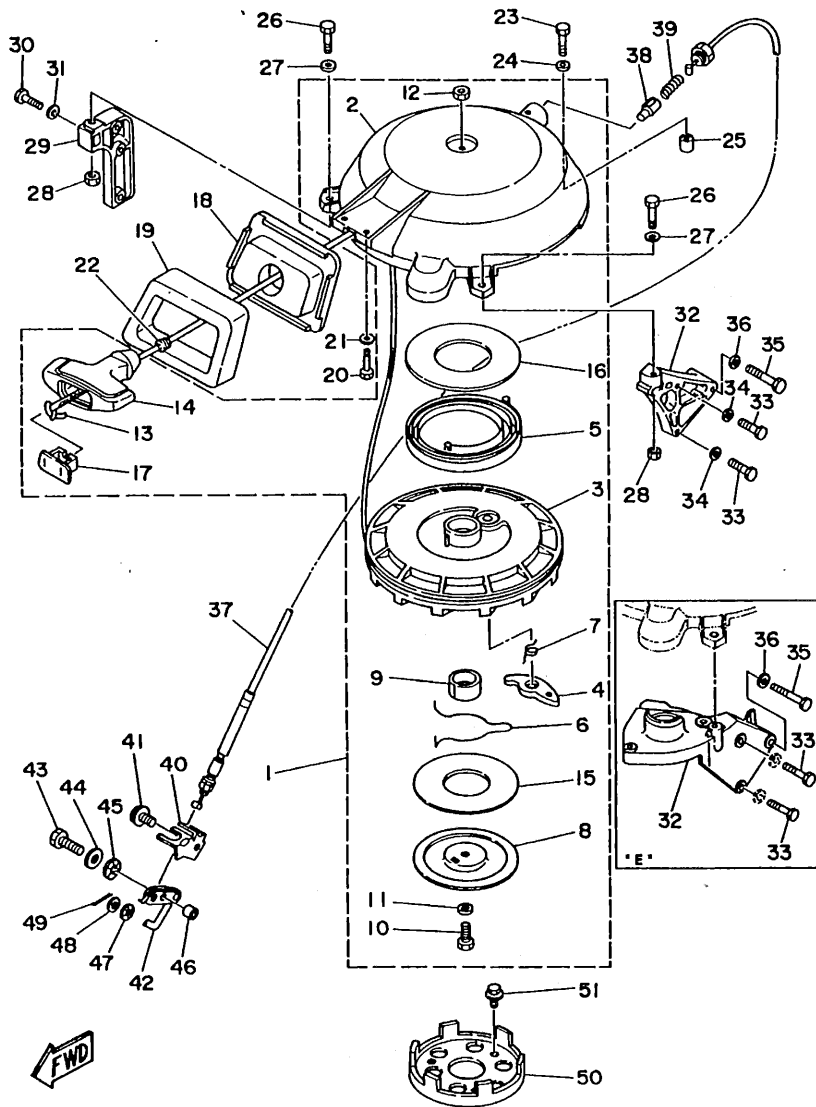


FIG. 5 STARTER

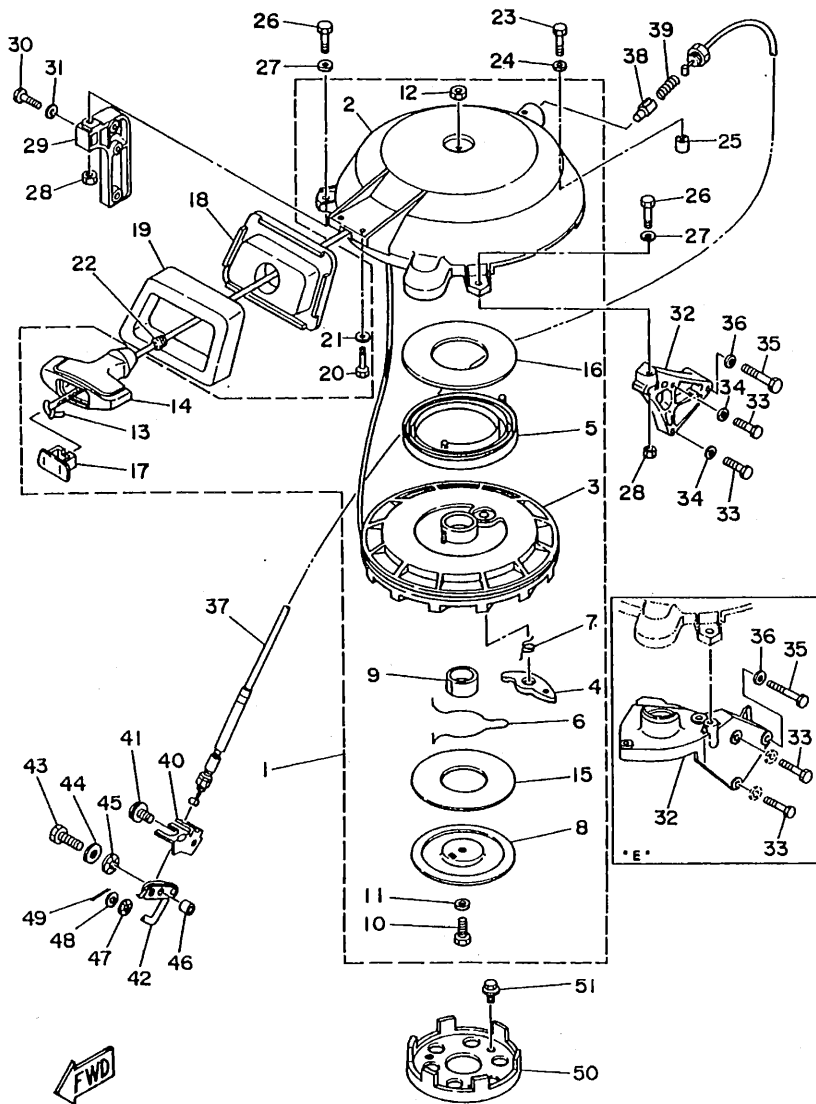
REF. NO.	PART NO.	DESCRIPTION	Q'TY	REMARKS
1	61N-W1571-10	STARTER ASSY	1	
2	61N-15711-10	.CASE, STARTER	1	
3	6G0-15714-01	.DRUM, SHEAVE	1	
4	6F5-15741-01	.PAWL, DRIVE	1	
5	6F5-15713-01	.SPRING, STARTER	1	
6	61N-15715-00	.SPRING, DRIVE PLATE	1	
7	61N-15734-00	.SPRING, RETURN	1	
8	6F5-15716-01	.PLATE, DRIVE	1	
9	6G0-15754-00	.BUSH 2	1	
10	97313-08030	.BOLT	1	
11	6F5-15726-01	.WASHER, FLAT	1	
12	95303-08700	.NUT	1	
13	*	.WIRE (L:1900MM)	1	
14	689-15755-01	.HANDLE, STARTER	1	
15	6F5-15764-00	.COLLAR 1	1	
16	6F5-15739-00	.WASHER, THRUST	1	
17	6F5-15779-02	.COVER	1	
18	61N-15758-00-40	GUIDE, ROPE	1	
19	61N-15762-00	SEAL, RUBBER 2	1	
20	97095-06016	BOLT	2	
21	92990-06600	WASHER, PLATE	2	
22	6A0-15789-00	DAMPER	1	
23	97095-06035	BOLT	1	
24	92990-06600	WASHER, PLATE	1	
25	99530-10014	PIN, DOWEL	1	

* CUT FROM 50M ROLLS, PARTS NO. 90890-44393, CUTTING LENGTH 1.9M.

B3

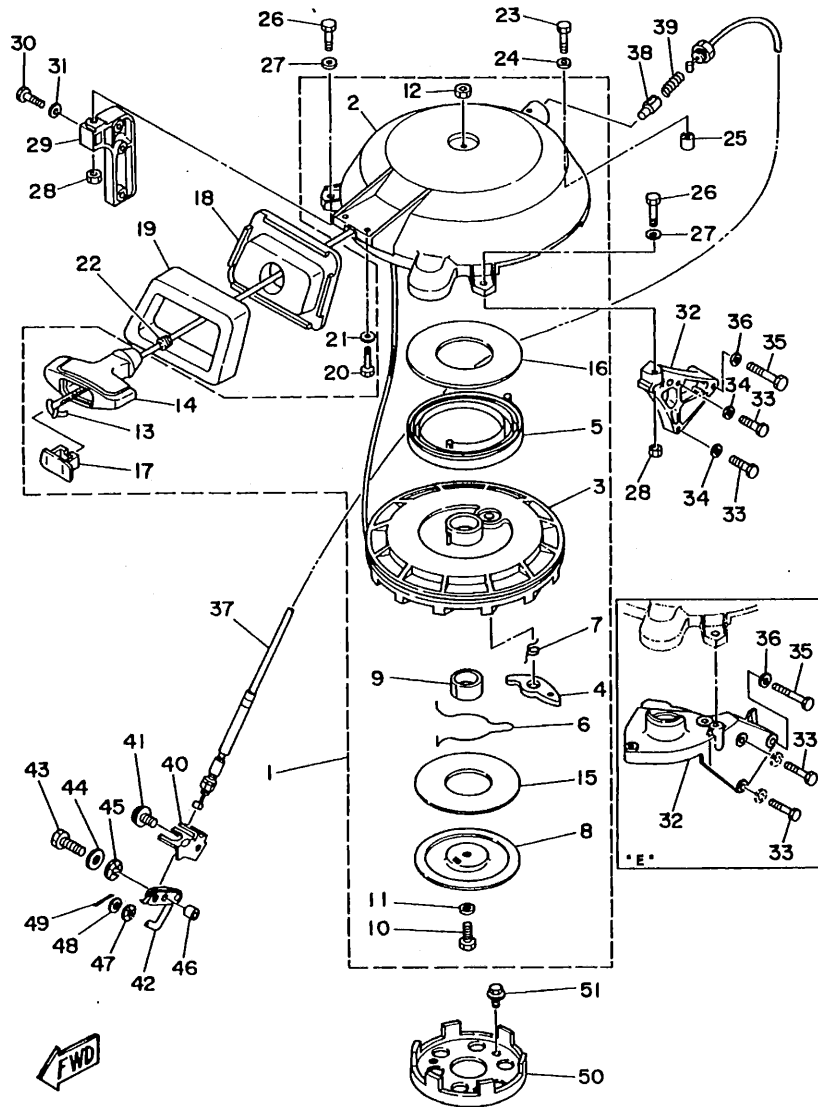
FIG. 5 STARTER

REF. NO.	PART NO.	DESCRIPTION	Q'TY	REMARKS
26	97095-06035	BOLT	2	
27	92990-06600	WASHER, PLATE	2	
28	95380-06600	NUT	2	UR M
	95380-06600	NUT	1	UR E
29	6H7-15771-01-94	STAY 1	1	
30	97095-06025	BOLT	2	
31	92990-06600	WASHER, PLATE	2	
32	656-15772-00-94	STAY 2	1	UR M
	61T-15772-00-94	STAY 2	1	UR E
33	97095-06025	BOLT	2	UR M
	97095-06030	BOLT	2	UR E
34	92990-06600	WASHER, PLATE	2	
35	97313-06045	BOLT	1	
36	92990-06600	WASHER, PLATE	1	
37	61T-15770-00	CABLE COMP., STARTER STOP	1	
38	656-15748-00	PLUNGER, STARTER STOP	1	
39	90501-10227	SPRING, COMPRESSION	1	
40	61T-15774-40-94	STAY 4	1	
41	97095-06010	BOLT	1	
42	656-15749-00	LINK, STARTER STOP	1	E
43	97095-06020	BOLT	1	E
44	92990-06600	WASHER, PLATE	1	E
45	90206-08010	WASHER, WAVE	1	E
46	90387-06568	COLLAR	1	E
47	90206-05005	WASHER, WAVE	1	E
48	92990-05600	WASHER, PLATE	1	E
49	91490-16010	PIN, COTTER	1	E
50	6F5-15723-01	PULLEY, STARTER	1	



B4

FIG. 5 STARTER



REF. NO.	PART NO.	DESCRIPTION	Q'TY	REMARKS
51	90105-08M10	BOLT, WASHER BASED	3	

B5

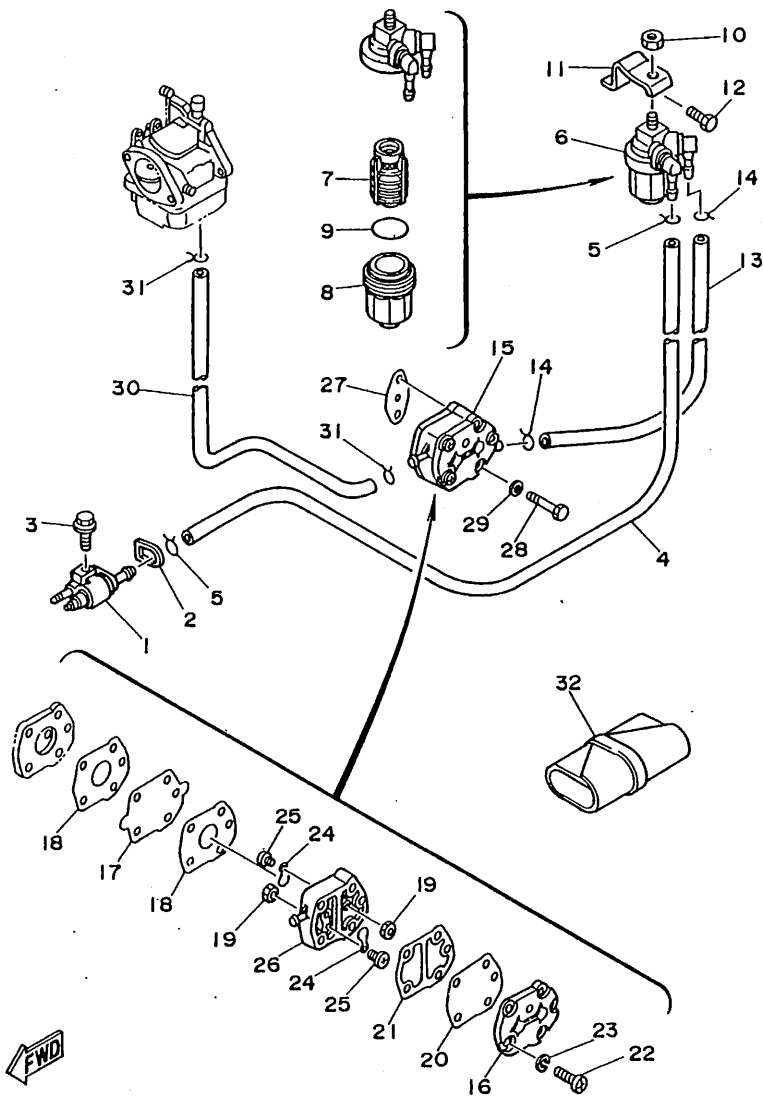


FIG. 6 FUEL

REF. NO.	PART NO.	DESCRIPTION	Q'TY	REMARKS
1	6G1-24304-02	FUEL PIPE JOINT COMP. 1	1	
2	61N-24329-00	SEAL	1	
3	97595-06520	BOLT, WITH WASHER	1	
4	90445-09M75	HOSE	1	
5	90467-08004	CLIP	2	
6	61N-24560-00	FILTER ASSY	1	
7	61N-24563-00	.ELEMENT, FILTER	1	
8	61N-24521-00	.CUP, FILTER	1	
9	93210-32738	.O-RING	1	
10	95380-08600	NUT	1	
11	61N-24566-01	BRACKET, FILTER	1	
12	97395-06014	BOLT	1	
13	689-24311-00	PIPE, FUEL 1	1	
14	90467-08004	CLIP	2	
15	692-24410-00	FUEL PUMP ASSY	1	
16	648-24413-01	.BODY 2	1	
17	692-24411-00	.DIAPHRAGM	1	
18	648-24434-01	.GASKET, BODY	2	
19	95380-03600	.NUT	2	
20	663-24411-00	.DIAPHRAGM	1	
21	648-24435-02	.GASKET, BODY 2	1	
22	98580-05530	.SCREW, PAN HEAD	3	
23	92990-05100	.WASHER, SPRING	3	
24	6A0-24421-01	.VALVE, CHECK	2	
25	6A0-14325-00	.SCREW, PAN HEAD	2	
26	6A0-24412-02	.BODY 1	1	
27	650-24431-A0	GASKET, FUEL PUMP 1	1	
28	97095-06040	BOLT	2	

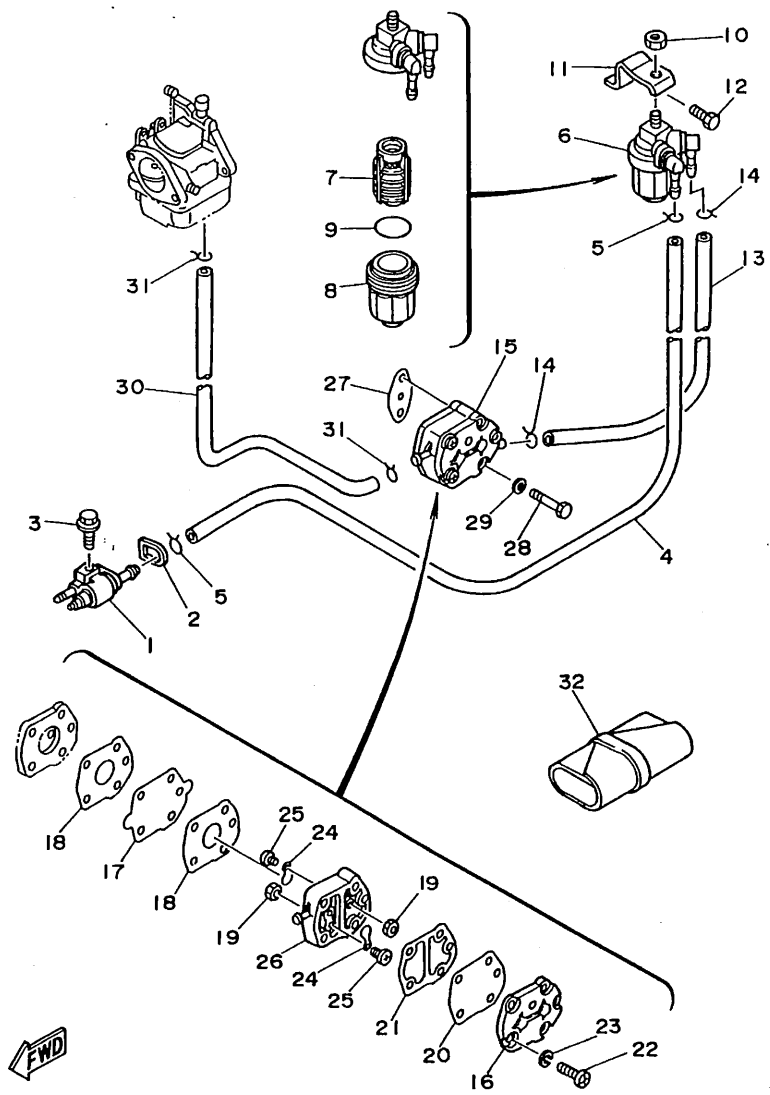


FIG. 6 FUEL

REF. NO.	PART NO.	DESCRIPTION	Q'TY	REMARKS
29	92990-06600	WASHER, PLATE	2	
30	6A1-24311-00	PIPE, FUEL 1	1	
31	90467-08004	CLIP	2	
32	656-W2810-02	TOOL KIT	1	

B7

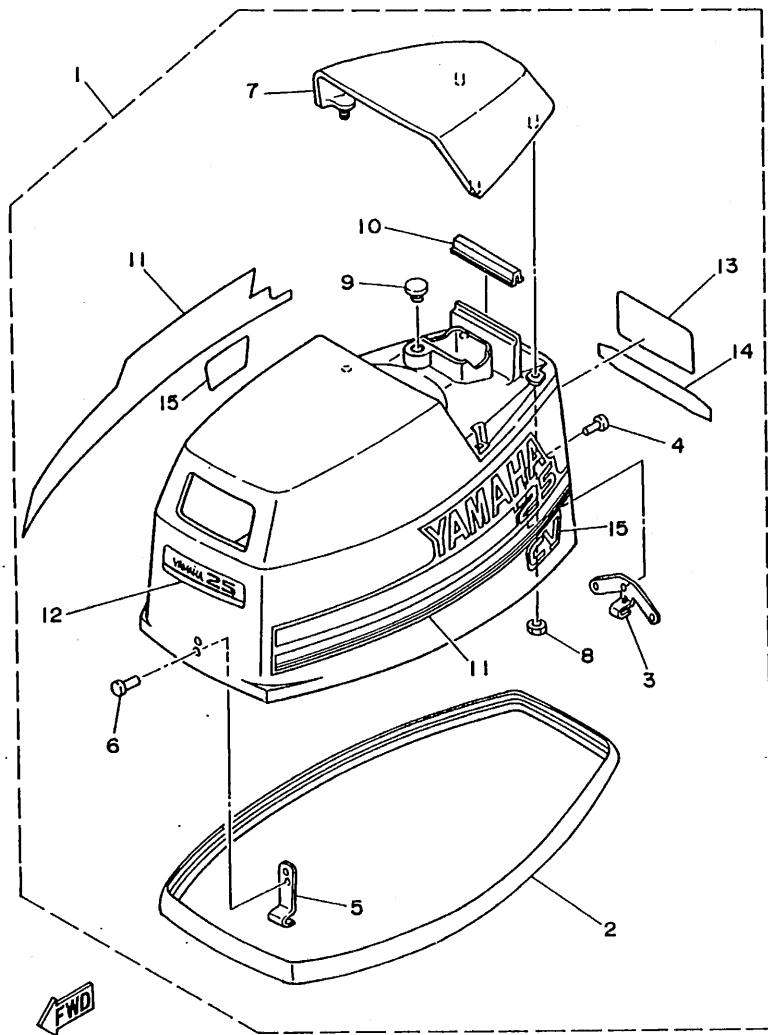


FIG. 7 TOP COWLING

REF. NO.	PART NO.	DESCRIPTION	Q'TY	REMARKS
1	61R-42610-10-4D	TOP COWLING ASSY	1	UR C25
	61R-42610-F0-4D	TOP COWLING ASSY	1	UR 25V
	61T-42610-10-4D	TOP COWLING ASSY	1	UR C30
	61T-42610-F0-4D	TOP COWLING ASSY	1	UR 30G
2	6G0-42615-00	.SEAL	1	
3	689-42647-00	.HOLDER, CLAMP BAND	1	
4	90266-04M01	.RIVET	3	
5	6G0-42651-02	.HOOK	1	
6	90266-04M00	.RIVET	2	
7	61N-42613-00-4D	.MOLDING, AIR DUCT	1	
8	90179-06M24	.NUT	4	
9	90480-14M14	.GROMMET	1	
10	61N-42628-00	.SEAL	1	
11	62C-W0070-10	.GRAPHIC SET	1	UR C25/25V
	61T-W0070-00	.GRAPHIC SET	1	UR C30/30G
12	695-42677-10	.GRAPHIC, FRONT	1	UR C25/25V
	689-42677-10	.GRAPHIC, FRONT	1	UR C30/30G
13	695-42678-11	.GRAPHIC, REAR	1	UR C25/25V
	689-42678-11	.GRAPHIC, REAR	1	UR C30/30G
14	62C-42682-10	.MARK, COWLING	1	
15	61R-42683-F0	.MARK, COWLING	2	FOR OCEANIA

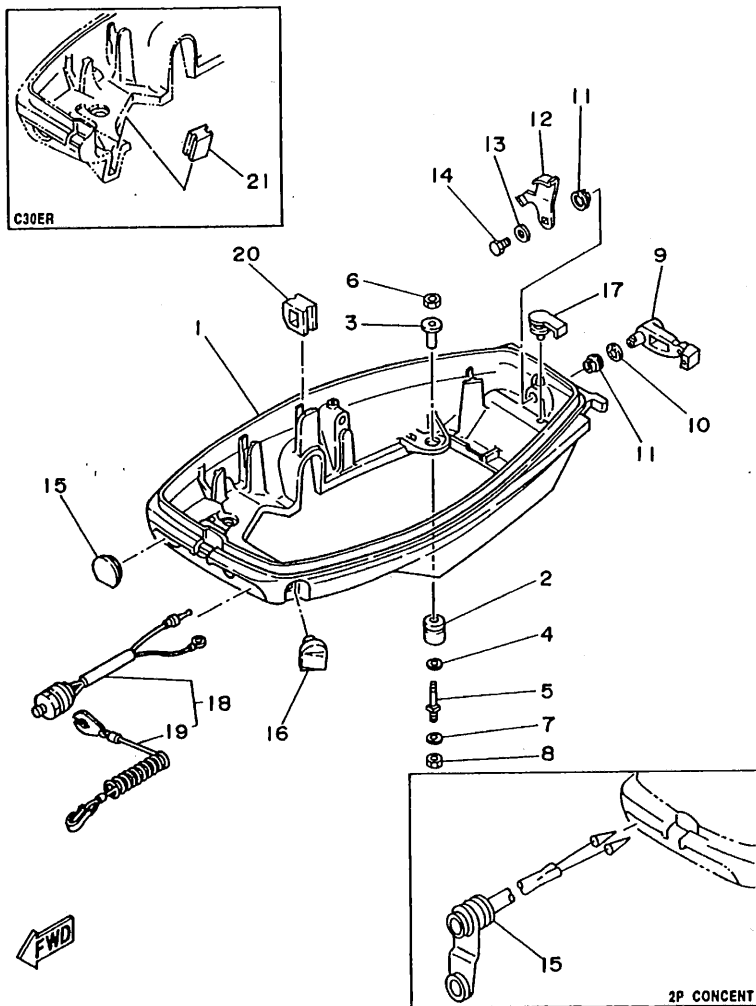


FIG. 8 BOTTOM COWLING

REF. NO.	PART NO.	DESCRIPTION	Q'TY	REMARKS
1	689-42711-02-40	COWLING, BOTTOM	1	
2	90480-15M06	GROMMET	4	
3	90387-08M25	COLLAR	4	
4	90201-08M87	WASHER, PLATE	4	
5	6G0-42796-00	BOLT 1	4	
6	95380-08700	NUT	4	
7	92995-08600	WASHER	4	
8	95380-08700	NUT	4	
9	689-42815-00	LEVER, CLAMP	1	
10	90206-12052	WASHER, WAVE	1	
11	90386-12069	BUSH	2	
12	689-42816-00	LEVER, CLAMP	1	
13	90201-06M02	WASHER, PLATE	1	
14	97095-06010	BOLT	1	
15	682-42724-00	GROMMET	1	UR M-WITHOUT 2P CONCENT
	682-84381-00	2P CONCENT	1	UR FOR OCEANIA
16	689-42725-00	GROMMET	1	
17	647-42523-00	SPACER, FRICTION	1	
18	6E9-82575-02	ENGINE STOP SWITCH ASSY	1	M
19	682-82556-00	.STOPPER	1	M
20	90480-17M08	GROMMET	1	
21	676-42724-40	GROMMET	1	E

C2

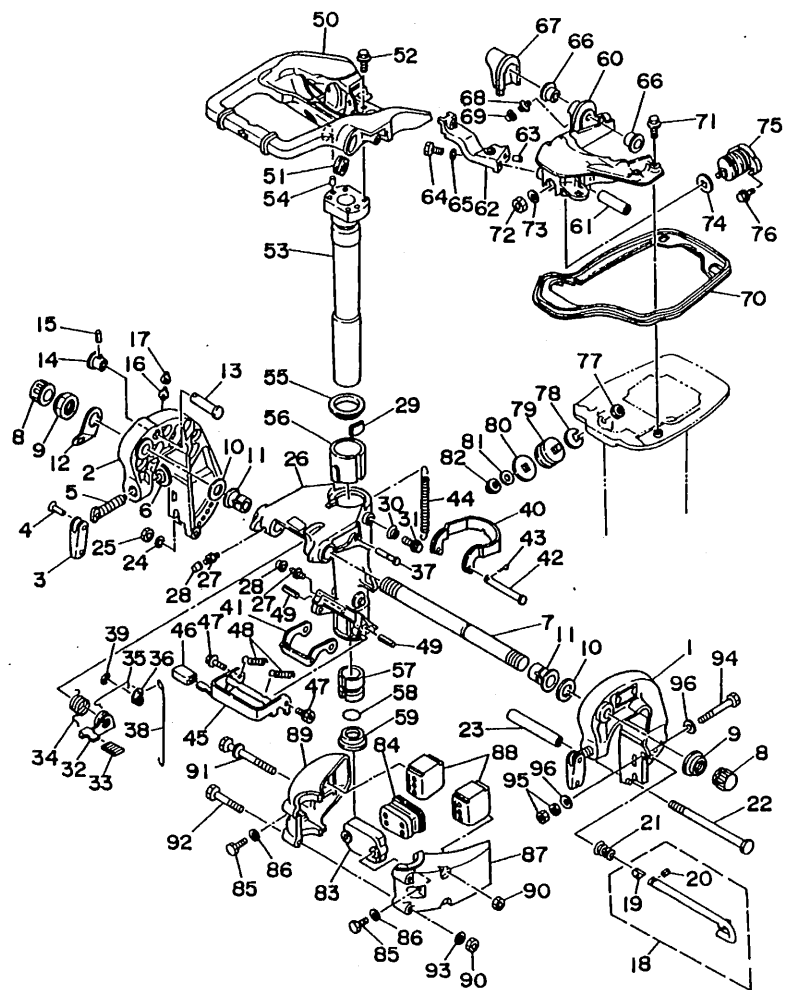


FIG. 9 BRACKET 1

REF. NO.	PART NO.	DESCRIPTION	QTY	REMARKS
1	689-43111-03-4D	BRACKET, CLAMP	1	
2	689-43112-02-4D	BRACKET, CLAMP	1	
3	616-43118-00-4D	HANDLE, TRANSOM CLAMP	2	
4	90243-04M00	PIN	2	
5	6E7-43116-00	SCREW, TRANSOM CLAMP	2	
6	648-43114-01	PAD, TRANSOM CLAMP	2	
7	6J8-43131-01	BOLT, CLAMP BRACKET	1	
8	6G5-43145-00	CAP, CLAMP BRACKET	2	
9	90185-22M11	NUT, SELF-LOCKING	2	
10	90201-22M03	WASHER, PLATE	2	
11	90386-22M67	BUSH	2	
12	6J8-43113-01	PLATE, CLAMP BRACKET	1	
13	689-43191-00	SHAFT, STOPPER	1	
14	689-43192-01	KNOB, STOPPER	1	
15	91690-30016	PIN, SPRING	1	
16	93700-06M03	NIPPLE, GREASE	1	
17	663-45119-00	CAP, GREASE NIPPLE	1 AP	
18	689-43160-00	TILT ROD ASSY	1	
19	689-43165-00	.PLATE, TILT LOCK	1	
20	91690-30008	.PIN, SPRING	1	
21	90502-10M07	SPRING, CONICAL	1	
22	90101-08339	BOLT	1	
23	90387-08M03	COLLAR	1	
24	92995-08600	WASHER	1	
25	95380-08600	NUT	1	
26	689-43311-03-4D	BRACKET, SWIVEL	1	
27	93700-06M03	NIPPLE, GREASE	3	
28	663-45119-00	CAP, GREASE NIPPLE	3 AP	

C3

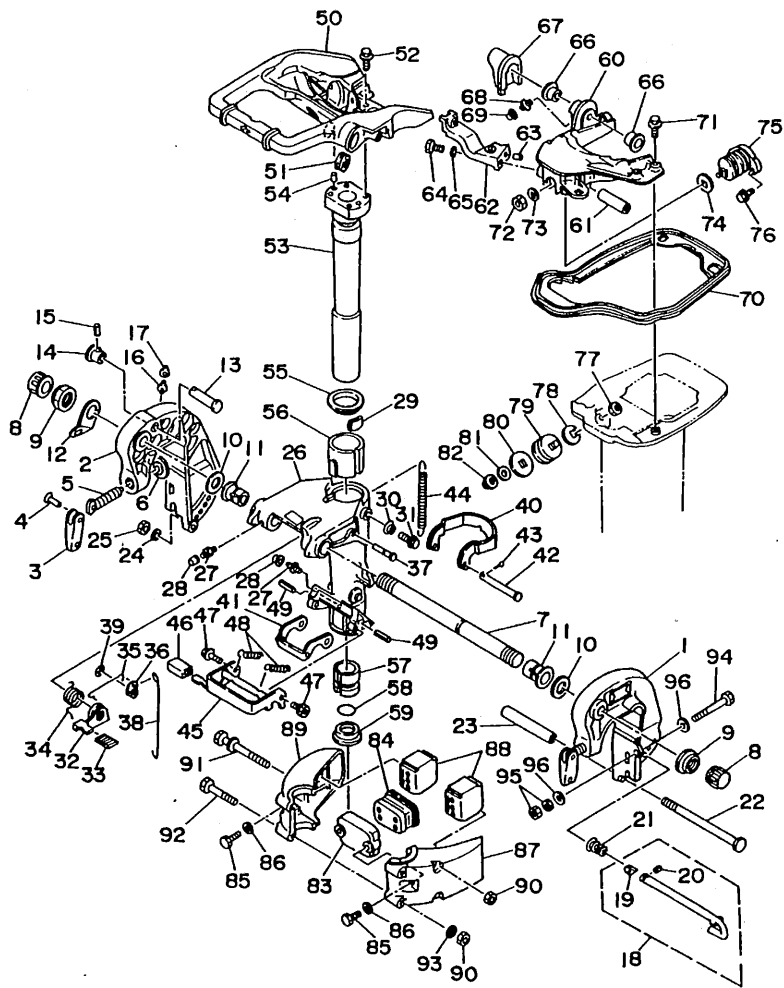


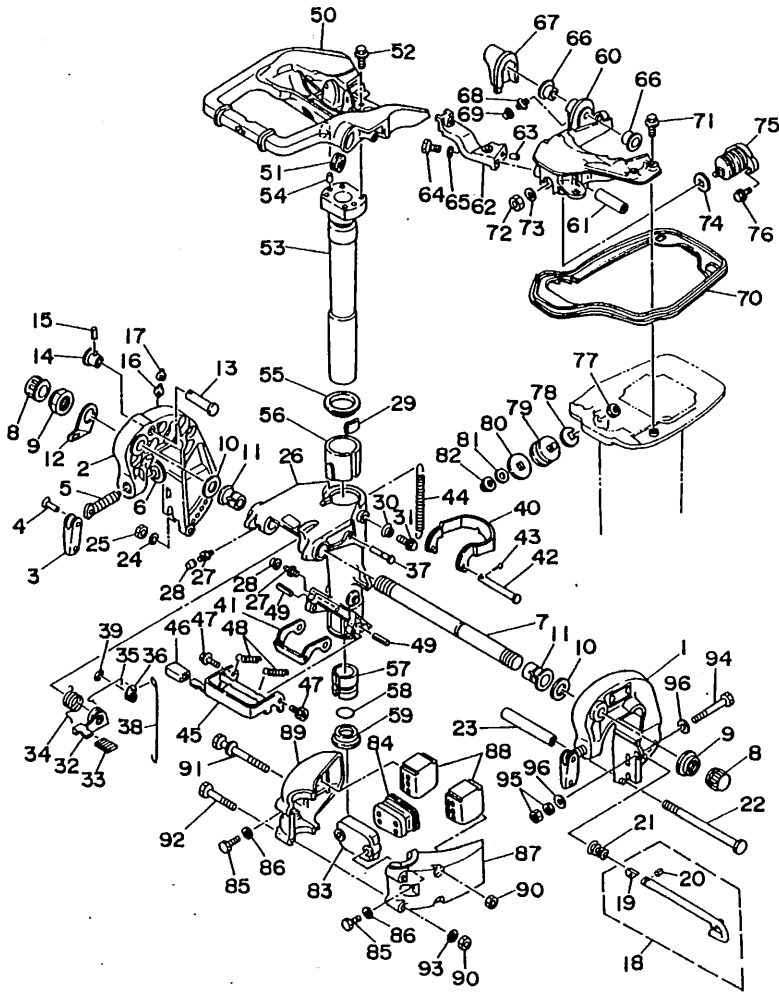
FIG. 9 BRACKET 1

REF. NO.	PART NO.	DESCRIPTION	Q'TY	REMARKS
29	648-42528-00	PLATE, FRICTION	1	
30	689-43373-01	SEAL, DAMPER	1	
31	90105-06M18	BOLT, WASHER BASED	1	
32	689-43631-00	LEVER, TILT	1	
33	689-43633-00	COVER, TILT LEVER	1	
34	689-43643-00	SPRING	1	
35	689-43616-00	ROD, TILT LOCK	1	
36	648-43642-00	LEVER, TILT 1	1	
37	90249-06M22	PIN	1	
38	648-43617-00	ROD, TILT LOCK	1	
39	99080-05600	CIRCLIP	1	
40	689-43614-00	PLATE, TILT LOCK	1	
41	648-43615-00	PLATE, TILT LOCK	1	
42	90240-05046	PIN, CLEVIS	1	
43	91490-16010	PIN, COTTER	1	
44	90506-30M27	SPRING, TENSION	1	
45	689-43681-01	LEVER, SHALLOW WATER DRIVE	1	
46	682-43318-01	COVER	1	
47	90109-06M18	BOLT	2	
48	90506-16M17	SPRING, TENSION	2	
49	91690-40035	PIN, SPRING	2	
50	689-42511-00-4D	BRACKET, STEERING	1	
51	90480-29045	GROMMET	1	FOR MANUAL STEERING
52	90105-06M07	BOLT, WASHER BASED	4	
53	689-42521-00-94	SHAFT, STEERING PIVOT	1	
54	93608-12063	PIN, DOWEL	2	
55	90209-47016	WASHER	1	
56	90386-47M22	BUSH	1	



C4

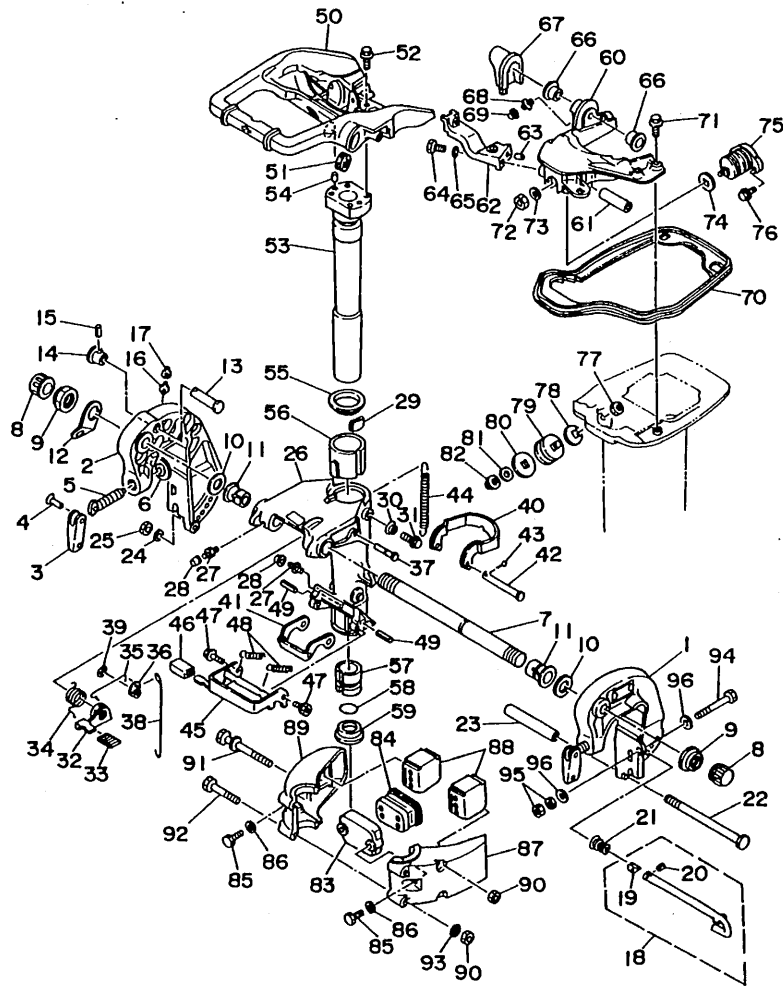
FIG. 9 BRACKET 1



REF. NO.	PART NO.	DESCRIPTION	Q'TY	REMARKS
57	90386-38090	BUSH	1	
58	93210-37M67	O-RING	1	
59	90386-38022	BUSH	1	
60	648-44518-00-94	BRACKET COMP.	1	
61	90387-10M39	COLLAR	1	
62	648-44519-00-94	BRACKET	1	
63	93606-12019	PIN, DOWEL	1	
64	97080-06018	BOLT	1	
65	92990-06600	WASHER, PLATE	1	
66	90381-12M01	BUSH, SOLID	2	
67	689-42718-00	RUBBER, SEAL 3	1	
68	93700-06M03	NIPPLE, GREASE	1	
69	663-45119-00	CAP, GREASE NIPPLE	1 AP	
70	689-42716-00	RUBBER, SEAL 1	1	
71	90105-06M08	BOLT, WASHER BASED	4	
72	95380-10600	NUT	1	
73	92990-10200	WASHER, PLAIN	1	
74	648-44591-A0	GASKET	1	
75	689-44516-00	MOUNT DAMPER, UPPER FRONT	1	
76	97595-06520	BOLT, WITH WASHER	2	
77	95380-10600	NUT	2	
78	648-44591-A0	GASKET	2	
79	664-44514-00-94	MOUNT DAMPER, UPPER SIDE	2	
80	664-44591-A0	GASKET	2	
81	92990-10200	WASHER, PLAIN	2	
82	95380-10800	NUT, CROWN	2	
83	689-44553-00-94	COVER, LOWER MOUNT	1	
84	689-44557-00	MOUNT DAMPER, LOWER FRONT	1	

C5

FIG. 9 BRACKET 1



REF. NO.	PART NO.	DESCRIPTION	Q'TY	REMARKS
85	97395-08025	BOLT	2	
86	92995-08600	WASHER	2	
87	689-44551-00-4D	HOUSING, LOWER MOUNT RUBBER	1	
88	689-44555-00	MOUNT DAMPER, LOWER SIDE	2	
89	689-44552-00-4D	HOUSING, LOWER MOUNT RUBBER	1	
90	95380-08600	NUT	4	
91	90119-08M03	BOLT, WITH WASHER	2	
92	97395-08065	BOLT	2	
93	92995-08600	WASHER	2	
94	97095-08070	BOLT	2	
95	95380-08600	NUT	4	
96	92995-08600	WASHER	4	

FWD

C6

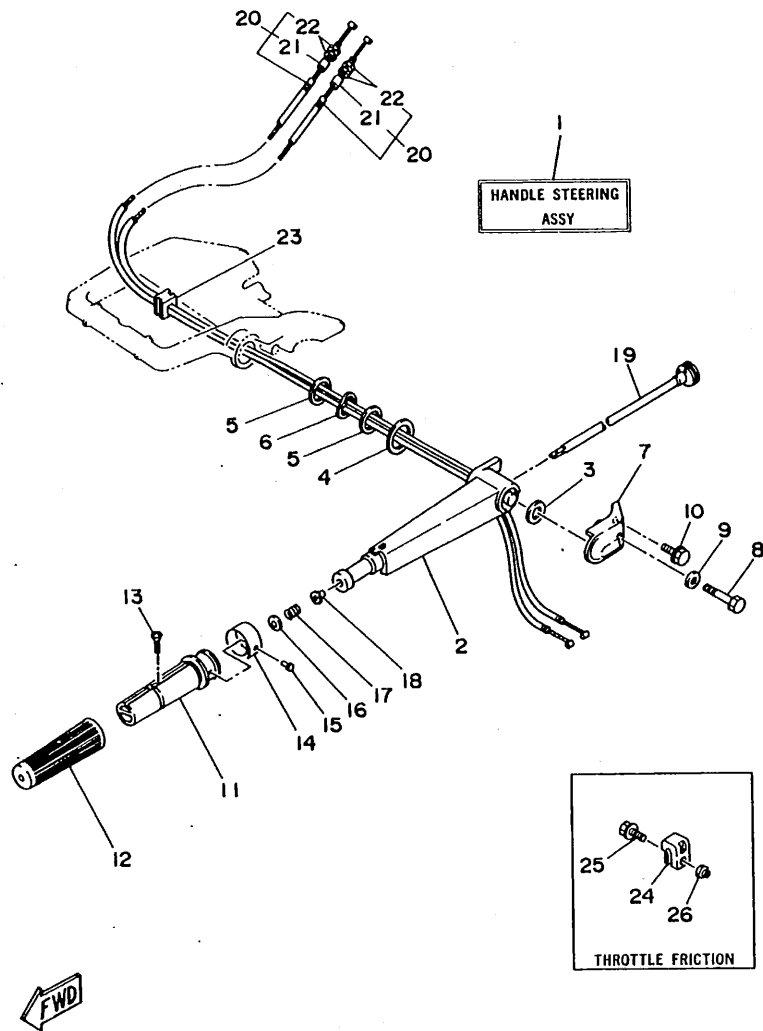


FIG. 10 STEERING

REF. NO.	PART NO.	DESCRIPTION	Q'TY	REMARKS
1	61N-W0084-00-4D	HANDLE STEERING ASSY	1	(REF.NO. 2 TO 23)
2	689-42111-00-4D	HANDLE, STEERING	1	
3	90560-14076	SPACER	1	
4	90202-34043	WASHER, PLATE	1	
5	90201-28M00	WASHER, PLATE	2	
6	90206-28M07	WASHER, WAVE	1	
7	689-42112-00-4D	HANDLE, STEERING	1	
8	97095-06050	BOLT	1	
9	92990-06600	WASHER, PLATE	1	
10	97595-06520	BOLT, WITH WASHER	1	
11	664-42119-00	GRIP, STEERING HANDLE	1	
12	661-42177-00	RUBBER, HANDLE	1	
13	90149-05M13	SCREW	1	
14	689-42137-20	INDICATOR, THROTTLE	1	
15	90269-02M09	RIVET	1	
16	92990-10600	WASHER, PLATE	1	
17	90501-23215	SPRING, COMPRESSION	1	
18	90386-08032	BUSH	1	
19	689-42138-00	LEVER, THROTTLE	1	
20	61N-26311-00	CABLE, THROTTLE 1	2	
21	90123-06M00	.BOLT	1	
22	90170-06183	.NUT	2	
23	61N-26326-00	GROMMET	1	
24	656-42126-01	FRICTION, STEERING HANDLE GRIP	1	
25	97095-06020	BOLT	1	
26	90185-06062	NUT, SELF-LOCKING	1	

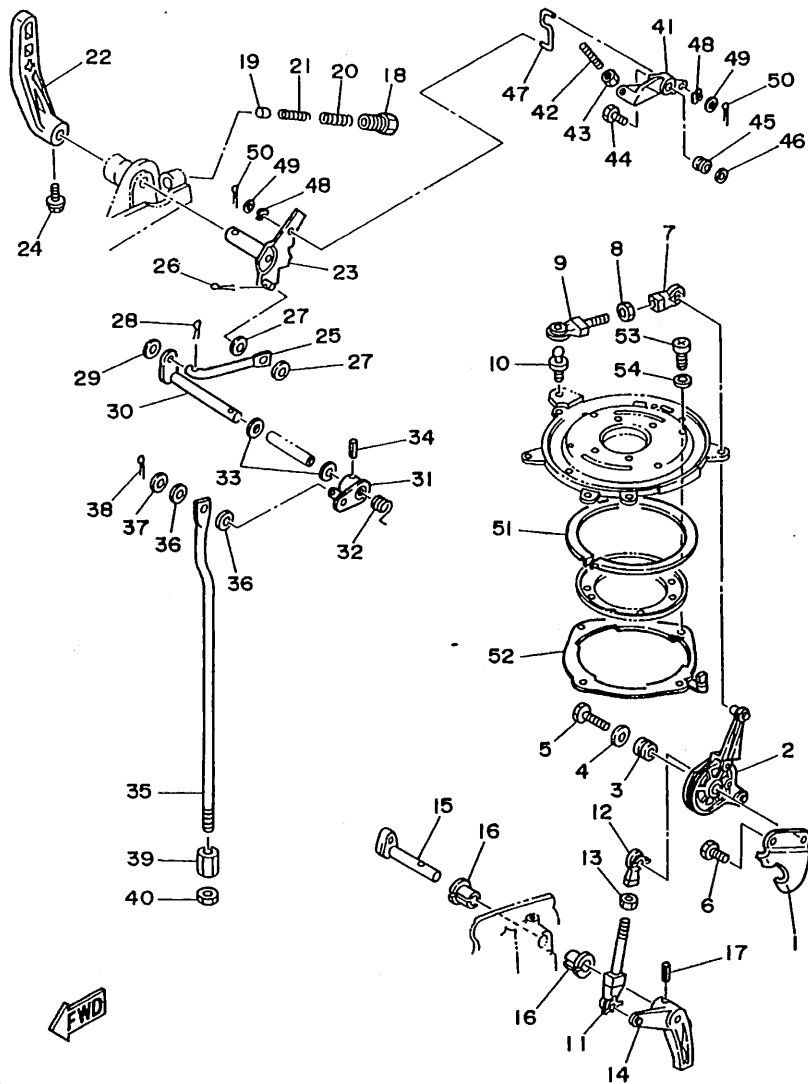


FIG. 11 CONTROL

REF. NO.	PART NO.	DESCRIPTION	Q'TY	REMARKS
1	689-14497-00	STAY, THROTTLE WIRE	1	
2	61N-41631-00-94	LEVER, MAGNETO CONTROL	1	
3	90387-06M02	COLLAR	1	
4	90387-06298	COLLAR	1	
5	97095-06025	BOLT	1	
6	97095-06012	BOLT	1	
7	6H1-41237-00	JOINT, LINK	1	
8	95380-05700	NUT	1	
9	679-41241-01	ROD, LINK	1	
10	663-85518-00	JOINT, BALL	1	
11	689-42169-01	JOINT	1	
12	6H1-41237-00	JOINT, LINK	1	
13	95380-05600	NUT	1	
14	689-42154-80-94	LEVER, THROTTLE CONTROL	1	UR E
	689-42154-70-94	LEVER, THROTTLE CONTROL	1	UR M
15	656-42153-00-94	SHAFT, THROTTLE CONTROL	1	
16	90386-10009	BUSH	2	
17	91690-40018	PIN, SPRING	1	
18	664-42715-00	BUSHING	1	
19	664-44167-00	PLUNGER, SHIFT CAM	1	
20	90501-14M07	SPRING, COMPRESSION	1	
21	90501-09M08	SPRING, COMPRESSION	1	
22	689-44111-00-4D	HANDLE, GEAR SHIFT	1	
23	664-44113-01	CAM PLATE, HANDLE	1	
24	90105-06M07	BOLT, WASHER BASED	1	
25	664-44142-00	JOINT	1	
26	91490-16010	PIN, COTTER	1	
27	90202-06007	WASHER, PLATE	2	

D1

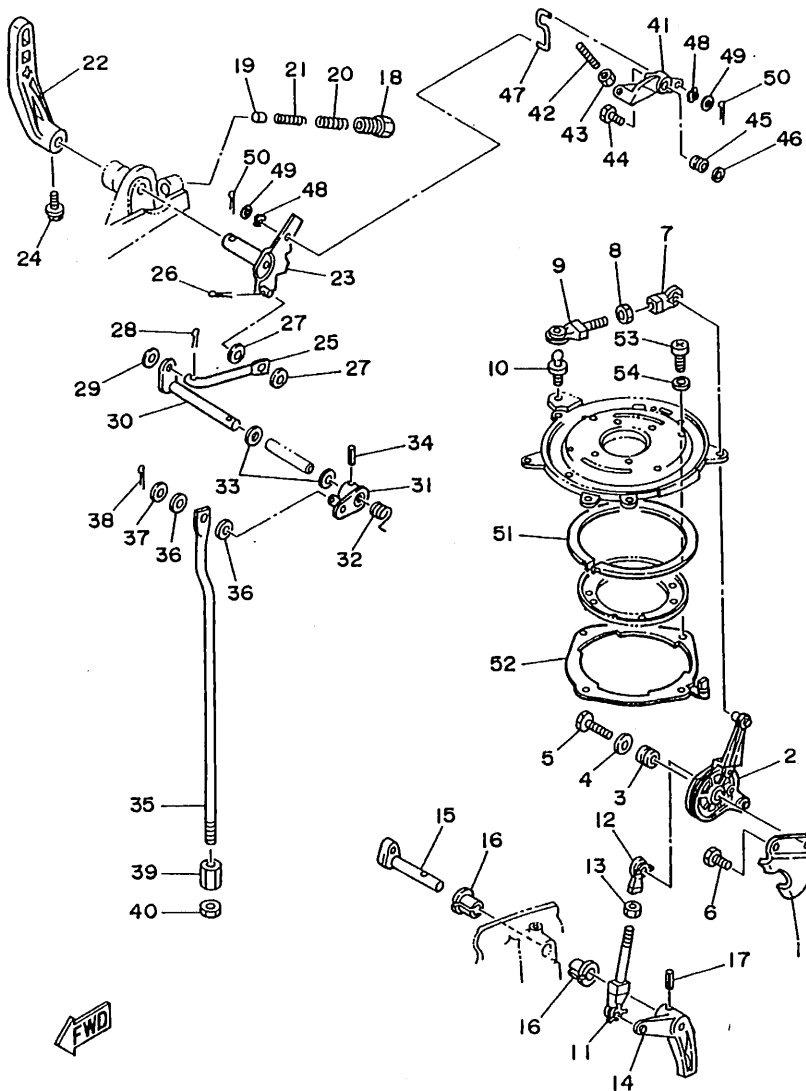
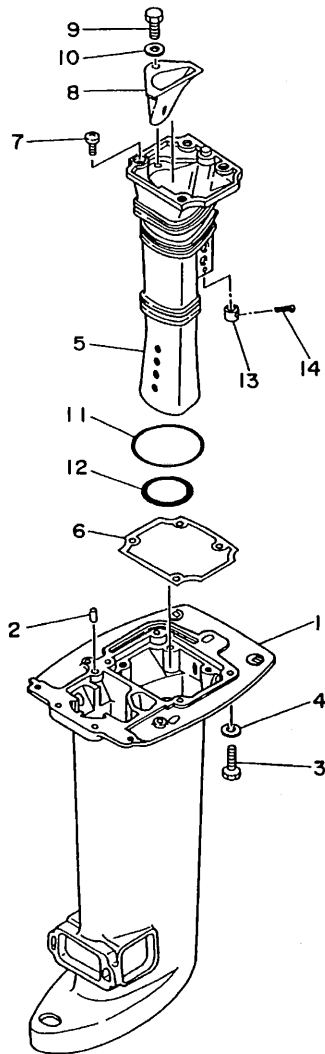


FIG. 11 CONTROL

REF. NO.	PART NO.	DESCRIPTION	Q'TY	REMARKS
28	91490-12012	PIN, COTTER	1	
29	92990-05600	WASHER, PLATE	1	
30	689-44121-01	LEVER, SHIFT ROD	1	
31	689-44125-00	LEVER, SHIFT ROD	1	
32	90508-14M13	SPRING, TORSION	1	
33	90202-10024	WASHER, PLATE	2	
34	91690-40016	PIN, SPRING	1	
35	61N-44143-00	ROD, SHIFT	1	
36	90202-06007	WASHER, PLATE	2	
37	92990-05600	WASHER, PLATE	1	
38	91490-20010	PIN, COTTER	1	
39	90170-06015	NUT	1	
40	95380-06600	NUT	1	
41	689-15746-70-94	ARM	1 M	
42	90113-05M04	BOLT, SET	1 M	
43	95380-05600	NUT	1 M	
44	97095-06020	BOLT	1 M	
45	90387-06M02	COLLAR	1 M	
46	90387-06298	COLLAR	1 M	
47	689-15747-70	LINK	1 M	
48	90206-05005	WASHER, WAVE	2 M	
49	92990-05600	WASHER, PLATE	2 M	
50	91490-16010	PIN, COTTER	2 M	
51	676-41611-00	RETAINER, MAGNETO BASE	1	
52	676-41613-00	PLATE, BASE FRICTION	1	
53	98580-05012	SCREW, PAN HEAD	4	
54	92990-05600	WASHER, PLATE	4	

FIG. 12 UPPER CASING



REF. NO.	PART NO.	DESCRIPTION	Q'TY	REMARKS
1	689-45111-02-4D	CASING, UPPER	1	UR SHORT
	689-45111-11-4D	CASING, UPPER	1	UR LONG
2	93606-12019	PIN, DOWEL	2	
3	97395-08030	BOLT	6	
4	92995-08600	WASHER	6	
5	6A8-41131-10-5B	MANIFOLD, EXT. 1	1	
6	664-41134-A0	GASKET, EXHAUST MANIFOLD	1	
7	98580-06016	SCREW, PAN HEAD	4	
8	689-41137-00-94	GUIDE, EXHAUST	1	
9	97095-08020	BOLT	1	
10	92995-08600	WASHER	1	
11	689-41141-00	SEAL 1	1	
12	689-41142-00	SEAL	1	
13	6A8-41135-00	GASKET, EXHAUST MANIFOLD	1	UR SHORT
	689-41135-00	GASKET, EXHAUST MANIFOLD	1	UR LONG
14	91490-30030	PIN, COTTER	1	

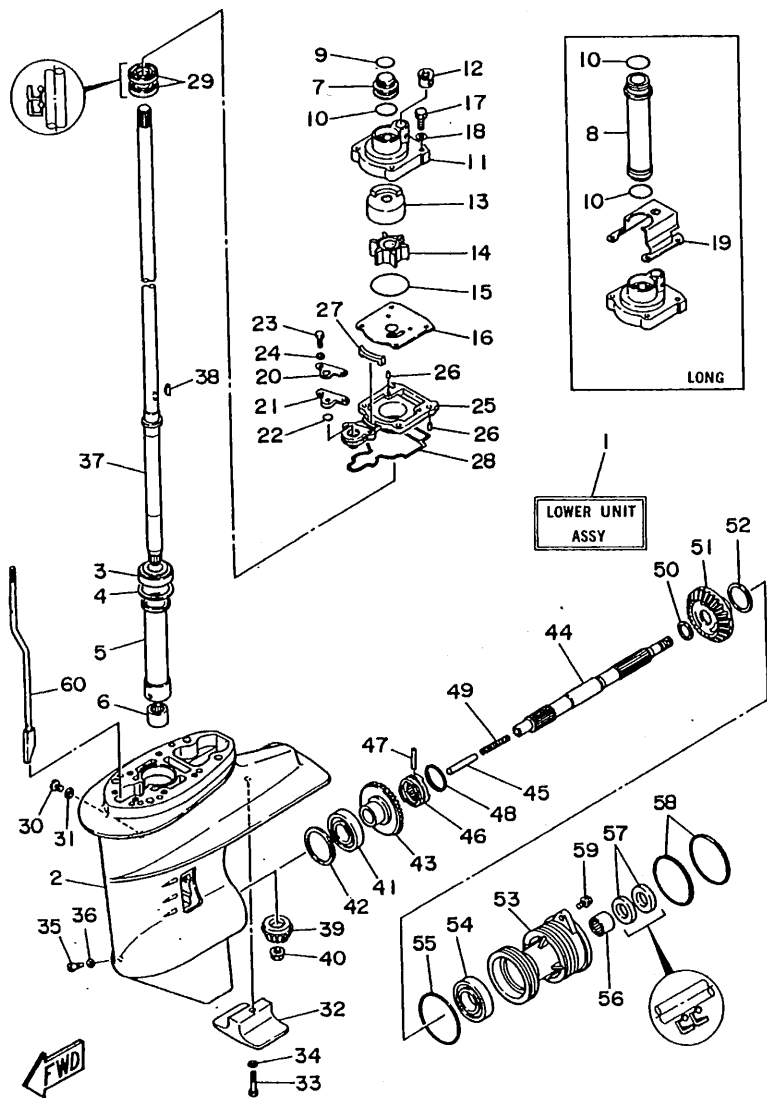


FIG. 13 LOWER CASING. DRIVE 1

REF. NO.	PART NO.	DESCRIPTION	Q'TY	REMARKS
1	61N-45300-00-4D	LOWER UNIT ASSY		
		(REF.NO. 2 ~ 7, 9 ~ 18, 20 ~ 60)	1	UR SHORT
	61N-45300-10-4D	LOWER UNIT ASSY		
		(REF.NO. 2 ~ 6, 8, 10 ~ 60)	1	UR LONG
2	61N-45311-00-4D	CASING, LOWER	1	
3	93332-000W5	BEARING	1	
4	61N-45587-00-07	SHIM (T=0.7)	1	UR
	61N-45587-00-10	SHIM (T=1.0)	1	UR
	61N-45587-00-11	SHIM (T=1.1)	1	UR
	61N-45587-00-12	SHIM (T=1.2)	1	UR
	61N-45587-00-13	SHIM (T=1.3)	1	UR
	61N-45587-00-14	SHIM (T=1.4)	1	UR
	61N-45587-00-15	SHIM (T=1.5)	1	UR
	61N-45587-00-16	SHIM (T=1.6)	1	UR
5	61N-45536-00	SLEEVE, DRIVE SHAFT	1	
6	93315-220V7	BEARING, CYLINDRICAL	1	
7	61N-44362-00	TUBE, WATER	1	UR SHORT
8	61N-44362-10	TUBE, WATER	1	UR LONG
9	93210-22298	O-RING	1	UR SHORT
10	93210-26240	O-RING	1	UR SHORT
	93210-26240	O-RING	2	UR LONG
11	61N-44311-00	HOUSING, WATER PUMP	1	
12	6L2-44367-00	DAMPER, WATER SEAL	1	
13	61N-44322-00	INSERT, CARTRIDGE	1	
14	6H4-44352-02	IMPELLER	1	
15	93210-45161	O-RING	1	
16	61N-44323-00	OUTER PLATE, CARTRIDGE	1	
17	97095-06040	BOLT	4	

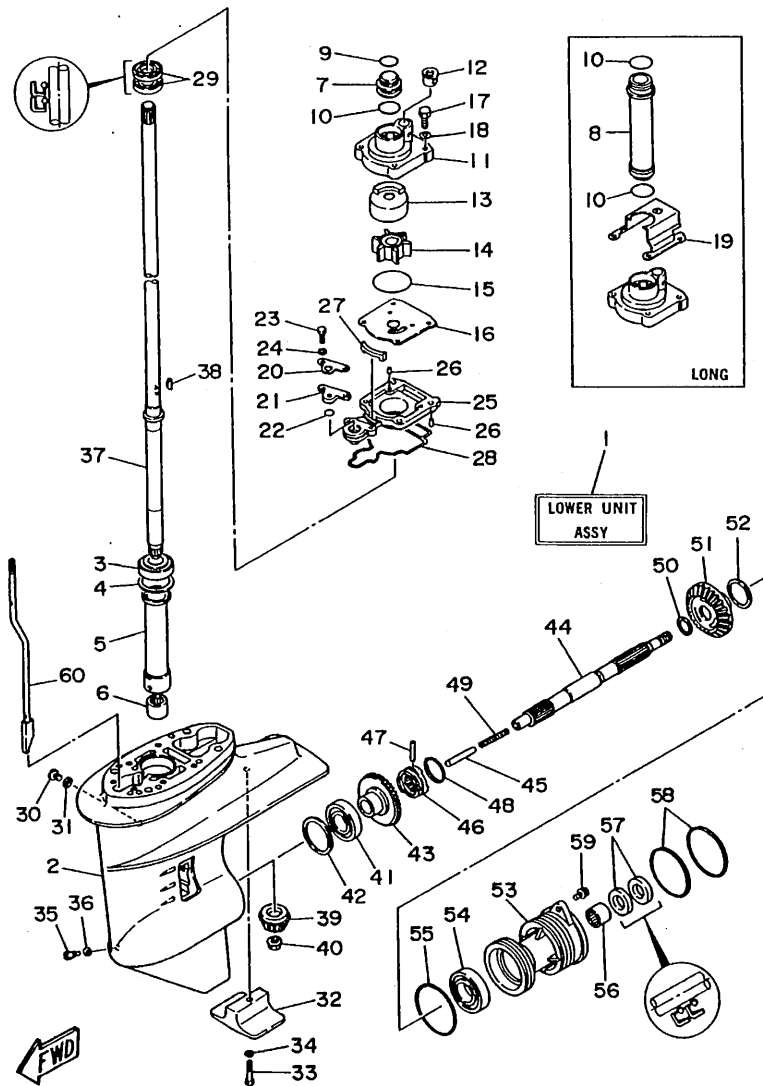


FIG. 13 LOWER CASING. DRIVE 1

REF. NO.	PART NO.	DESCRIPTION	Q'TY	REMARKS
18	92990-06600	WASHER, PLATE	4	
19	61N-44328-00	PLATE	1	LONG
20	61N-44176-00	BRACKET	1	
21	61N-45321-00	PLATE	1	
22	93210-06ME6	O-RING	1	
23	97095-06025	BOLT	2	
24	92990-06600	WASHER, PLATE	2	
25	61N-45331-00-5B	HOUSING, BEARING	1	
26	93604-10M03	PIN, DOWEL	3	
27	61N-45127-00	SEAL	1	
28	61N-45315-00	PACKING, LOWER CASING	1	
29	93101-22067	OIL SEAL	2	
30	90340-08M04	PLUG, STRAIGHT SCREW	1	
31	90430-08020	GASKET	1	
32	61N-45251-00	ANODE	1	
33	95895-06035	BOLT, FLANGE	1	
34	92990-06300	WASHER, INTERNAL TOOTH	1	
35	688-45341-00	PLUG, DRAIN	1	
36	90430-08020	GASKET	1	
37	61N-45510-00	DRIVE SHAFT ASSY	1	UR SHORT
	61N-45510-10	DRIVE SHAFT ASSY	1	UR LONG
38	90280-03024	KEY, WOODRUFF	1	
39	61N-45551-00	PINION	1	
40	90179-10M14	NUT	1	
41	93332-00005	BEARING	1	
42	6L2-45567-00-10	SHIM (T:1.0MM)	1	UR
	6L2-45567-00-11	SHIM (T:1.1MM)	1	UR
	6L2-45567-00-12	SHIM (T:1.2MM)	1	UR

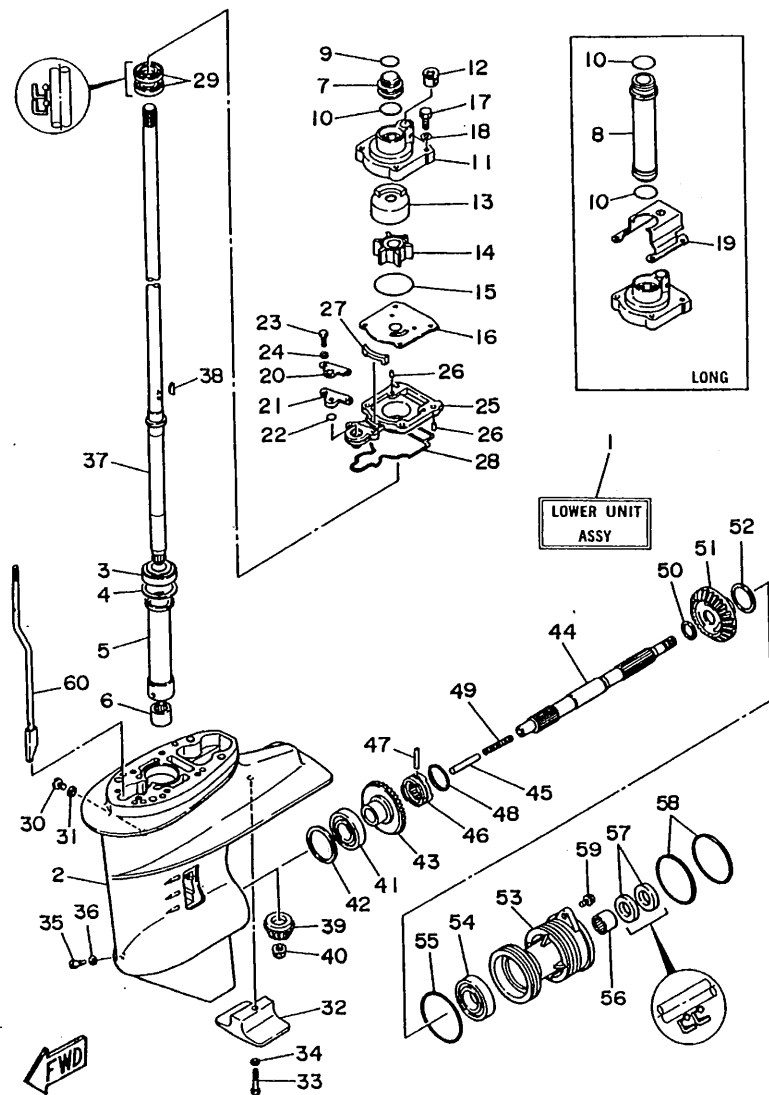
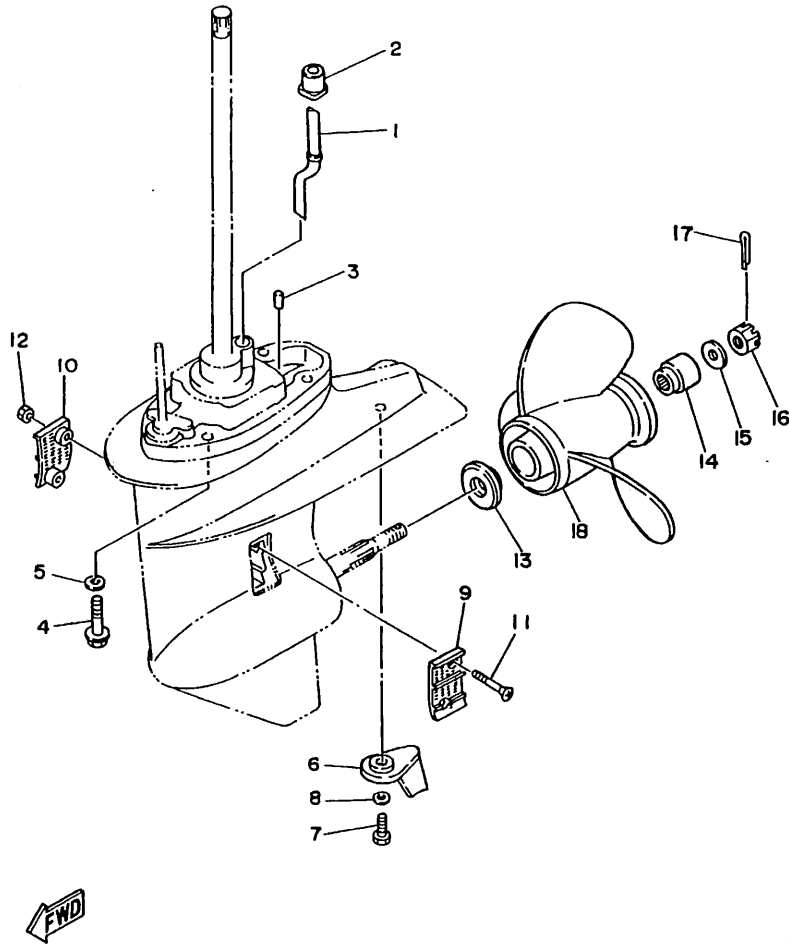


FIG. 13 LOWER CASING. DRIVE 1

REF. NO.	PART NO.	DESCRIPTION	Q'TY	REMARKS
42	6L2-45567-00-14	SHIM (T:1.4MM)	1	UR
43	61N-45560-00	GEAR	1	
44	6L2-45611-00	SHAFT, PROPELLER	1	
45	648-45635-00	PLUNGER, SHIFT	1	
46	664-45631-01	CLUTCH, DOG	1	
47	90250-05010	PIN, STRAIGHT	1	
48	648-45633-00	RING, CROSS PIN	1	
49	90501-10065	SPRING, COMPRESSION	1	
50	90201-20417	WASHER, PLATE	1	
51	61N-45571-00	GEAR	1	
52	6L2-45577-00-10	SHIM (T:1.0MM)	1	UR
	6L2-45577-00-11	SHIM (T:1.1MM)	1	UR
	6L2-45577-00-12	SHIM (T:1.2MM)	1	UR
	6L2-45577-00-13	SHIM (T:1.3MM)	1	UR
53	61N-45361-00-4D	CAP, LOWER CASING	1	
54	93306-00612	BEARING	1	
55	93210-64ME7	O-RING	1	
56	93315-22004	BEARING, CYLINDRICAL	1	
57	93101-20M07	OIL SEAL	2	
58	93210-65M50	O-RING	2	
59	97595-06520	BOLT, WITH WASHER	2	
60	61N-44150-00	SHIFT CAM ASSY	1	UR SHORT
	61N-44150-10	SHIFT CAM ASSY	1	UR LONG

FIG. 14 LOWER CASING. DRIVE 2



REF. NO.	PART NO.	DESCRIPTION	Q'TY	REMARKS
1	61N-44361-00	TUBE, WATER	1	UR SHORT
	61N-44361-10	TUBE, WATER	1	UR LONG
2	689-44366-00	DAMPER, WATER SEAL	1	
3	93606-12019	PIN, DOWEL	2	
4	90105-10M12	BOLT, WASHER BASED	4	
5	92990-10600	WASHER	4	
6	61N-45371-00	TAB-TRIM	1	
7	90101-06M22	BOLT	1	
8	90201-06049	WASHER, PLATE	1	
9	6L2-45214-00	COVER, WATER INLET	1	
10	6L2-45215-00	COVER, WATER INLET	1	
11	98780-05530	SCREW, FLAT HEAD	2	
12	90185-05002	NUT, SELF-LOCKING	2	
13	6L2-45987-01	SPACER	1	
14	689-45997-00	SPACER	1	
15	92990-14200	WASHER, PLAIN	1	
16	90171-14013	NUT, CASTLE	1	
17	91490-30030	PIN, COTTER	1	
18	664-45954-00-EL	PROPELLER (3X9-7/8"X12"-F)	1	UR
	664-45943-01-EL	PROPELLER (3X9-7/8"X8"-F)	1	UR
	664-45941-01-EL	PROPELLER (3X9-7/8"X9"-F)	1	UR
	664-45945-00-EL	PROPELLER (3X9-7/8"X10-1/2"-F)	1	UR
	664-45947-01-EL	PROPELLER (3X9-7/8"X11-1/4"-F)	1	UR
	664-45949-02-EL	PROPELLER (3X9-7/8"X13"-F)	1	UR
	664-45952-00-EL	PROPELLER (3X9-7/8"X14"-F)	1	UR

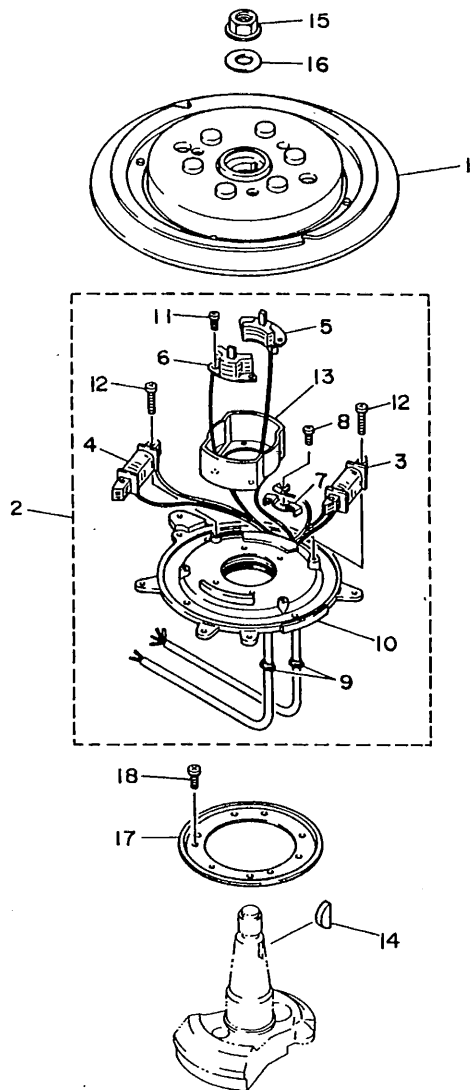
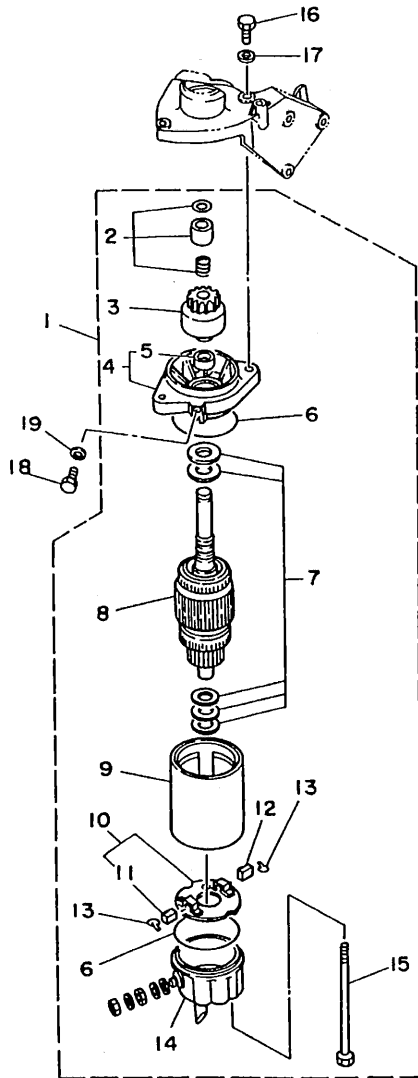


FIG. 15 GENERATOR

REF. NO.	PART NO.	DESCRIPTION	Q'TY	REMARKS
1	61N-85550-00	ROTOR ASSY	1	UR M
	61T-85550-00	ROTOR ASSY	1	UR E
2	61N-85560-00	BASE ASSY	1	
*3	61N-85541-09	.COIL, CHARGE	1	
*4	61N-81313-09	.COIL, LIGHTING 1	1	
*5	61N-85543-09	.COIL, PULSER	1	
*6	61N-85543-19	.COIL, PULSER	1	
7	6E9-81328-70	.CLAMP	1	
8	98501-04006	.SCREW, PAN HEAD	1	
9	6E9-85516-70	.GROMMET	2	
10	61N-85561-00	.BASE, MAGNETO	1	
11	98517-04012	.SCREW, PAN HEAD	4	
12	97607-06125	.SCREW, PAN HEAD WITH WASHER	4	
13	61N-85537-00	.COVER	1	
14	90280-05049	KEY, WOODRUFF	1	
15	90179-16M05	NUT	1	
16	90201-16M44	WASHER, PLATE	1	
17	689-41612-01	RETAINER, MAGNETO BASE	1	
18	98580-06010	SCREW, PAN HEAD	4	

* WITHOUT TERMINAL

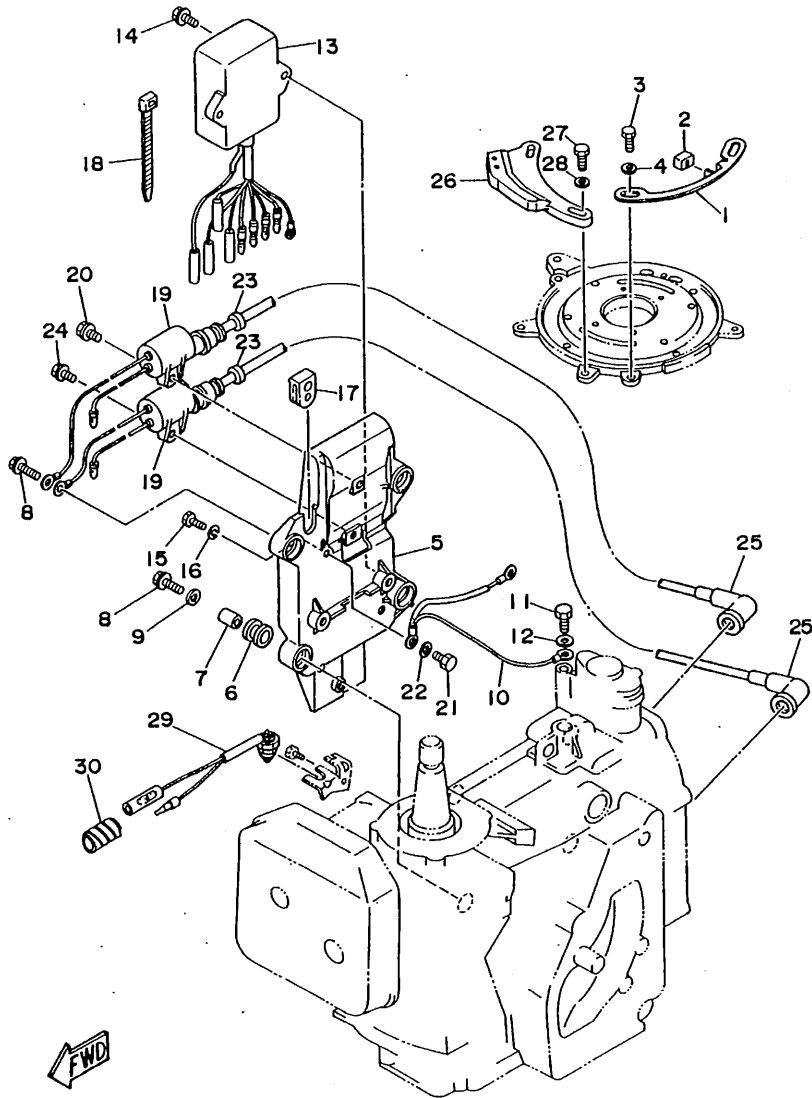
FIG. 16 STARTING MOTOR



REF. NO.	PART NO.	DESCRIPTION	Q'TY	REMARKS
1	689-81800-13	STARTING MOTOR ASSY	1	
2	689-81857-11	.PINION STOPPER SET	1	
3	689-81807-12	.GEAR ASSY, STARTING MOTOR	1	
4	689-81830-11	.FRONT BRACKET ASSY	1	
5	689-81831-00	.METAL, FRONT	1	
6	689-81847-11	.O-RING	2	
7	689-81809-11	.WASHER KIT	1	
8	689-81850-12	.ARMATURE ASSY	1	
9	689-81810-11	.STATOR ASSY	1	
10	689-81840-11	.BRUSH HOLDER ASSY	1	
11	689-81812-11	.BRUSH 2	1	
12	689-81811-11	.BRUSH 1	1	
13	689-81813-10	.SPRING, BRUSH	2	
14	689-81820-11	.REAR BRACKET ASSY	1	
15	689-81826-10	.BOLT	2	
16	97313-08030	BOLT	2	
17	92990-08600	WASHER, PLATE	2	
18	97313-08012	BOLT	1	
19	92990-08600	WASHER, PLATE	1	

FIG. 17 ELECTRICAL 1

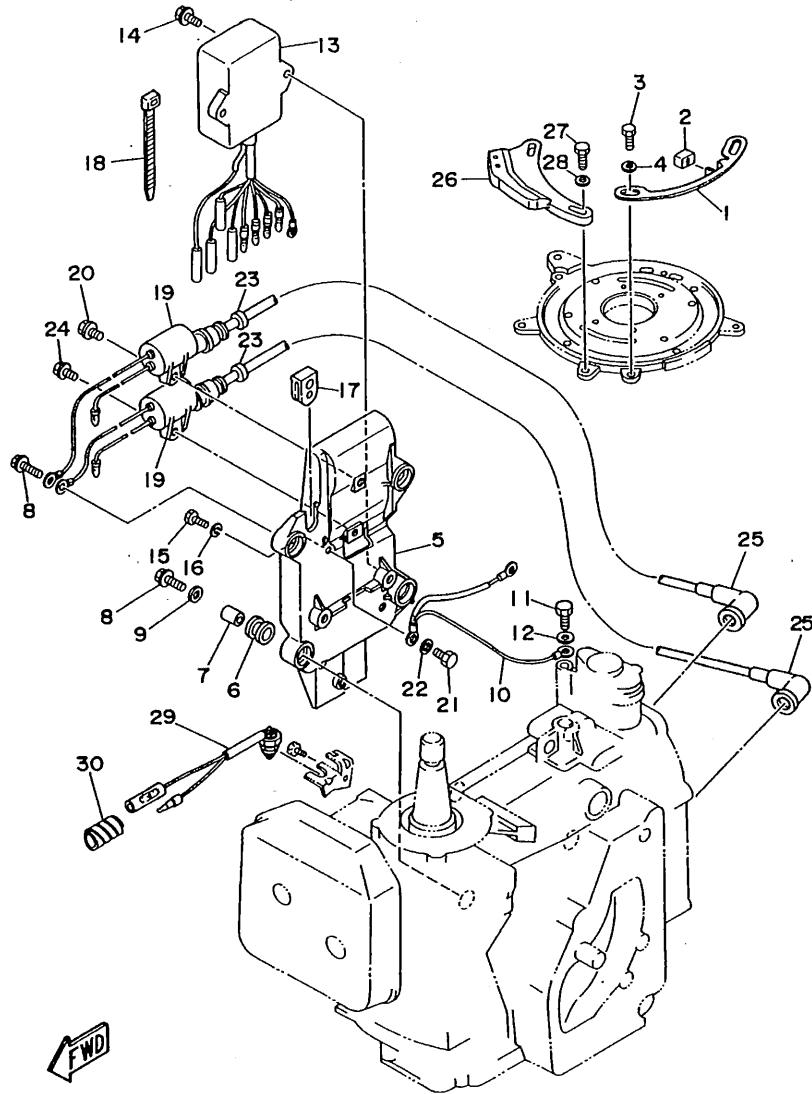
REF. NO.	PART NO.	DESCRIPTION	Q'TY	REMARKS
1	61N-41615-00	STOPPER, MAGNETO BASE	1	
2	61N-44194-00	CAP	1	UR C25/25V
	61T-44194-00	CAP	1	UR C30/30G
3	97095-06010	BOLT	2	
4	92990-06600	WASHER, PLATE	2	
5	61N-85542-00-94	BRACKET	1	
6	61N-82317-00	DAMPER, IGNITION COIL	4	
7	624-42542-00	PIPE	4	
8	90119-06M95	BOLT, WITH WASHER	4	
9	90201-06M30	WASHER, PLATE	2	
10	61N-82519-01	WIRE, EARTH LEAD	1	
11	97095-06012	BOLT	1	
12	92995-06100	WASHER, SPRING	1	
13	61N-85540-00	C.D.I. UNIT ASSY	1	
14	97595-06520	BOLT, WITH WASHER	2	
15	97095-06012	BOLT	1	
16	92995-06100	WASHER, SPRING	1	
17	6H3-81922-00	GROMMET	1	
18	90465-13M11	CLAMP	1	
19	61N-85570-10	IGNITION COIL ASSY	2	UR USA, OCEANIA
	6H5-85570-00	IGNITION COIL ASSY	1	UR CANADA FOR NO.1
	61N-85570-10	IGNITION COIL ASSY	1	UR CANADA FOR NO.2
20	97595-06520	BOLT, WITH WASHER	1	
21	97095-06012	BOLT	1	
22	92995-06100	WASHER, SPRING	1	
23	90480-25161	GROMMET	2	
24	97595-06520	BOLT, WITH WASHER	1	
25	663-82370-01	PLUG CAP ASSY	2	UR USA, OCEANIA



FWD

E3

FIG. 17 ELECTRICAL 1



REF. NO.	PART NO.	DESCRIPTION	Q'TY	REMARKS
25	661-82370-20	PLUG CAP ASSY	2	UR CANADA
26	61N-41213-00-94	CAM, ACCEL.	1	
27	97095-05016	BOLT	2	
28	92990-05600	WASHER, PLATE	2	
29	689-82540-01	NEUTRAL SWITCH ASSY	1	AP
30	90446-10M02	HOSE	1	AP

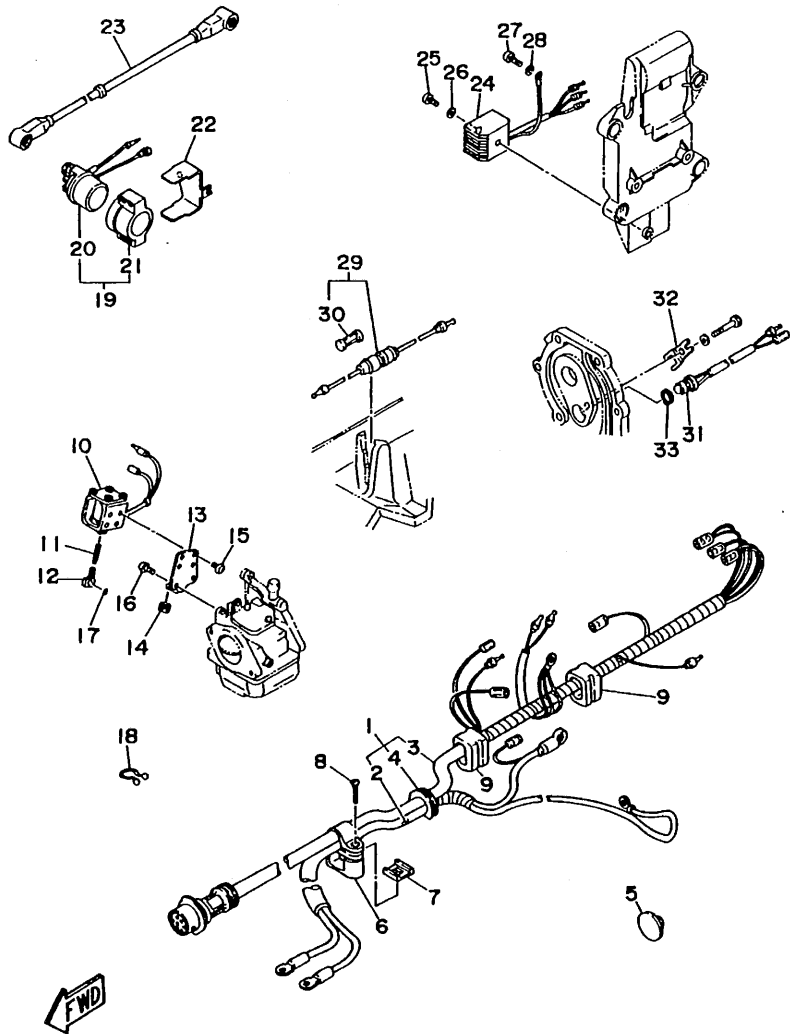


FIG. 18 ELECTRICAL 2 (ELECTRIC START)

REF. NO.	PART NO.	DESCRIPTION	Q'TY	REMARKS
29	682-82150-10	FUSE HOLDER ASSY	1	
30	682-82151-00	.FUSE (20A)	1	
31	61T-82560-00	THERMO SWITCH ASSY	1	
32	61T-82588-00	PLATE	1	
33	99009-17500	CIRCLIP	1	

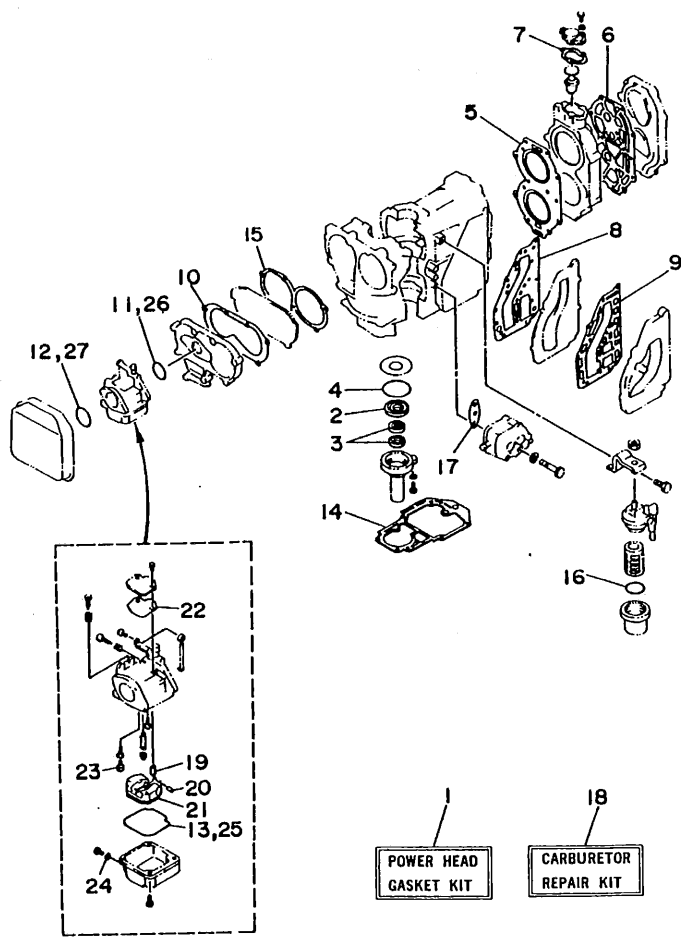
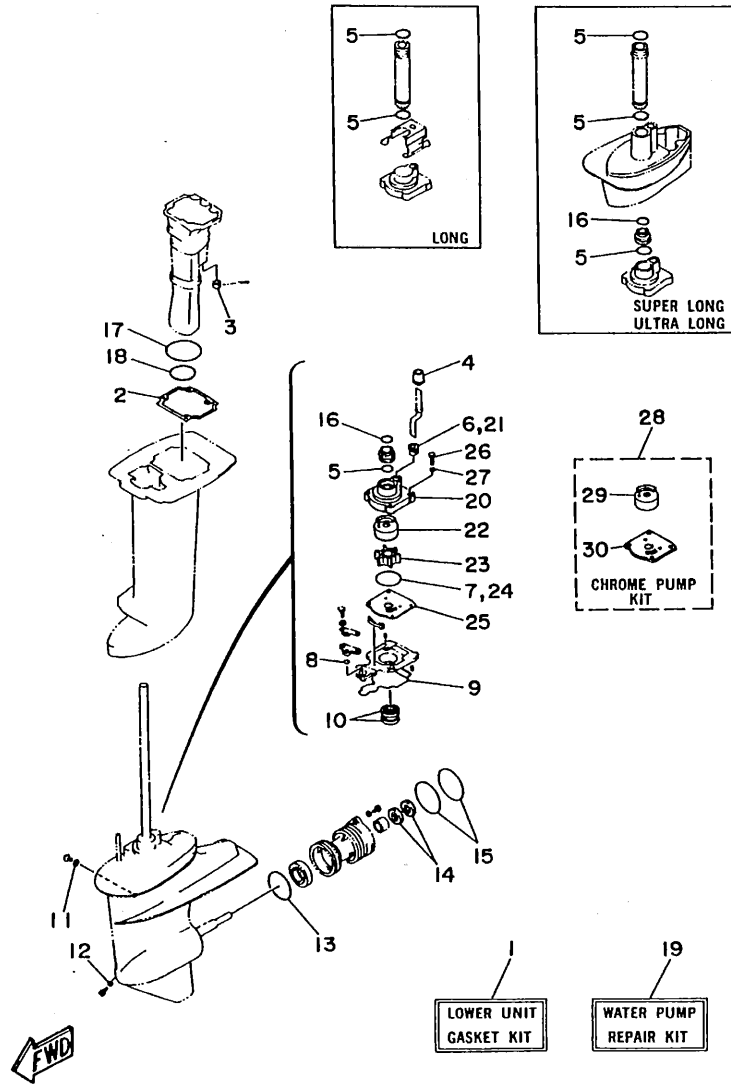


FIG. 19 REPAIR KIT 1

REF. NO.	PART NO.	DESCRIPTION	Q'TY	REMARKS
1	61T-W0001-01	POWER HEAD GASKET KIT	1	
2	93102-25M28	.OIL SEAL	1	
3	93101-16M36	.OIL SEAL	2	
4	93210-57M09	.O-RING	1	
5	61N-11181-A0	.GASKET, CYLINDER HEAD 1	1	
6	61T-11193-A0	.GASKET, HEAD COVER 1	1	
7	655-12414-A1	.GASKET, COVER	1	
8	6K8-41122-A1	.GASKET, EXHAUST INNER COVER	1	
9	6K8-41124-A1	.GASKET, EXHAUST OUTER COVER	1	
10	648-13645-A0	.GASKET, MANIFOLD 1	1	
11	61N-14198-00	.GASKET	1	
12	93210-40659	.O-RING	1	
13	6L2-14384-00	.GASKET, FLOAT CHAMBER	1	
14	61T-45113-A0	.GASKET, UPPER CASING	1	
15	648-13621-A1	.GASKET, VALVE SEAT	1	
16	93210-32738	.O-RING	1	
17	650-24431-A0	.GASKET, FUEL PUMP 1	1	
18	61N-W0093-00	CARBURETOR REPAIR KIT	1	
19	61N-14392-00	.VALVE, NEEDLE	1	
20	6E5-14386-01	.PIN, FLOAT	1	
21	6L2-14385-00	.FLOAT	1	
22	6L2-14399-00	.GASKET	1	
23	50M-14355-00	.PLUG	1	
24	6L2-14398-00	.GASKET	1	
25	6L2-14384-00	.GASKET, FLOAT CHAMBER	1	
26	61N-14198-00	.GASKET	1	
27	93210-40659	.O-RING	1	

FIG. 20 REPAIR KIT 2



REF. NO.	PART NO.	DESCRIPTION	Q'TY	REMARKS
1	61N-W0001-E1	LOWER UNIT GASKET KIT	1	
2	664-41134-A0	.GASKET, EXHAUST MANIFOLD	1	
3	6A8-41135-00	.GASKET, EXHAUST MANIFOLD	1	UR SHORT
	689-41135-00	.GASKET, EXHAUST MANIFOLD	1	UR LONG/SUPER LONG/ ULTRA LONG
4	689-44366-00	.DAMPER, WATER SEAL	1	
5	93210-26240	.O-RING	3	UN
6	6L2-44367-00	.DAMPER, WATER SEAL	1	
7	93210-45161	.O-RING	1	
8	93210-06ME6	.O-RING	1	
9	61N-45315-00	.PACKING, LOWER CASING	1	
10	93101-22067	.OIL SEAL	2	
11	90430-08020	.GASKET	1	
12	90430-08020	.GASKET	1	
13	93210-64ME7	.O-RING	1	
14	93101-20M07	.OIL SEAL	2	
15	93210-65M50	.O-RING	2	
16	93210-22298	.O-RING	1	SUPER LONG/ULTRA LONG
17	689-41141-00	.SEAL 1	1	
18	689-41142-00	.SEAL	1	
19	61N-W0078-00	WATER PUMP REPAIR KIT	1	
20	61N-44311-00	.HOUSING, WATER PUMP	1	
21	6L2-44367-00	.DAMPER, WATER SEAL	1	
22	61N-44322-00	.INSERT, CARTRIDGE	1	
23	6H4-44352-02	.IMPELLER	1	
24	93210-45161	.O-RING	1	
25	61N-44323-00	.OUTER PLATE, CARTRIDGE	1	
26	97095-06040	.BOLT	4	
27	92990-06600	.WASHER, PLATE	4	

F1

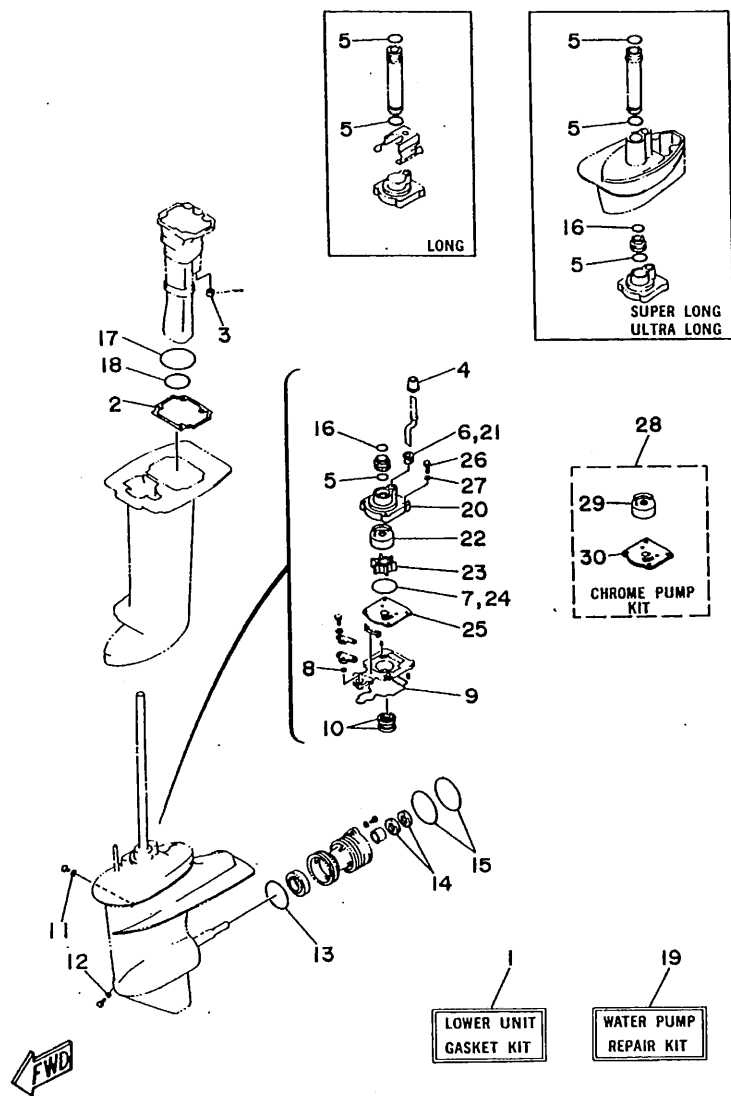


FIG. 20 REPAIR KIT 2

REF. NO.	PART NO.	DESCRIPTION	Q'TY	REMARKS
28	61N-W0078-0A	CHROME PUMP KIT	1	
29	61N-44322-40	.INSERT, CARTRIDGE	1	
30	61N-44323-40	.OUTER PLATE, CARTRIDGE	1	

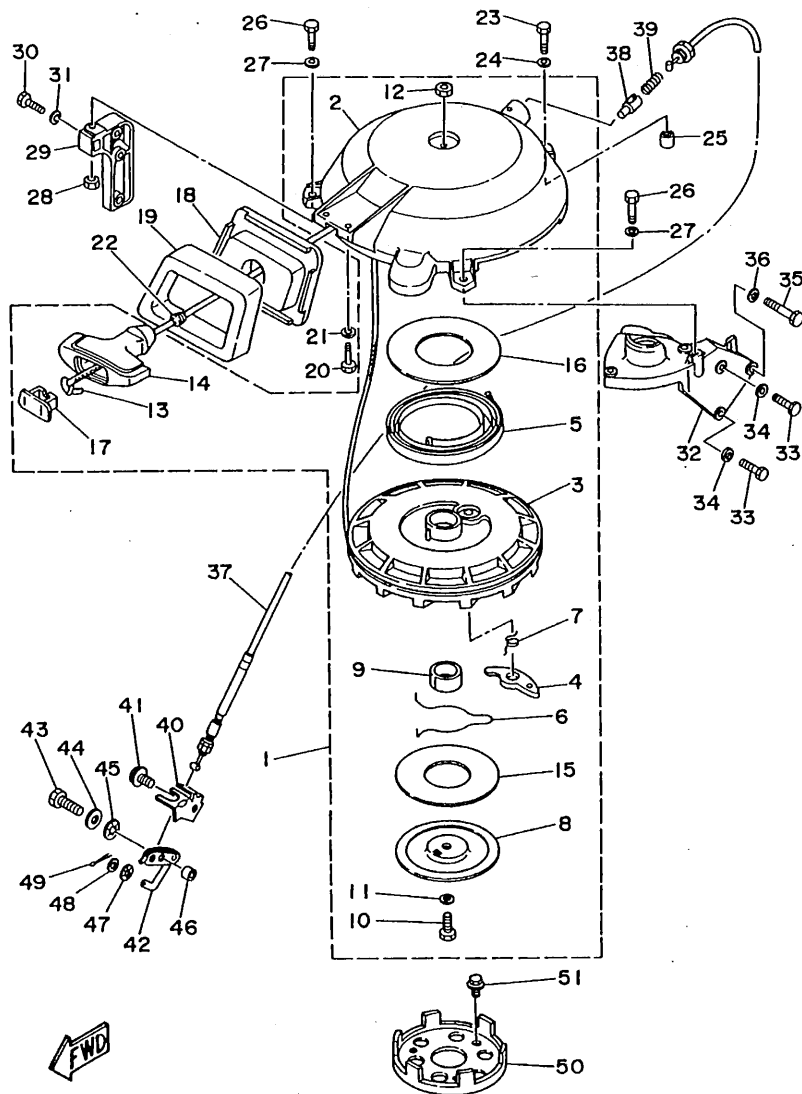


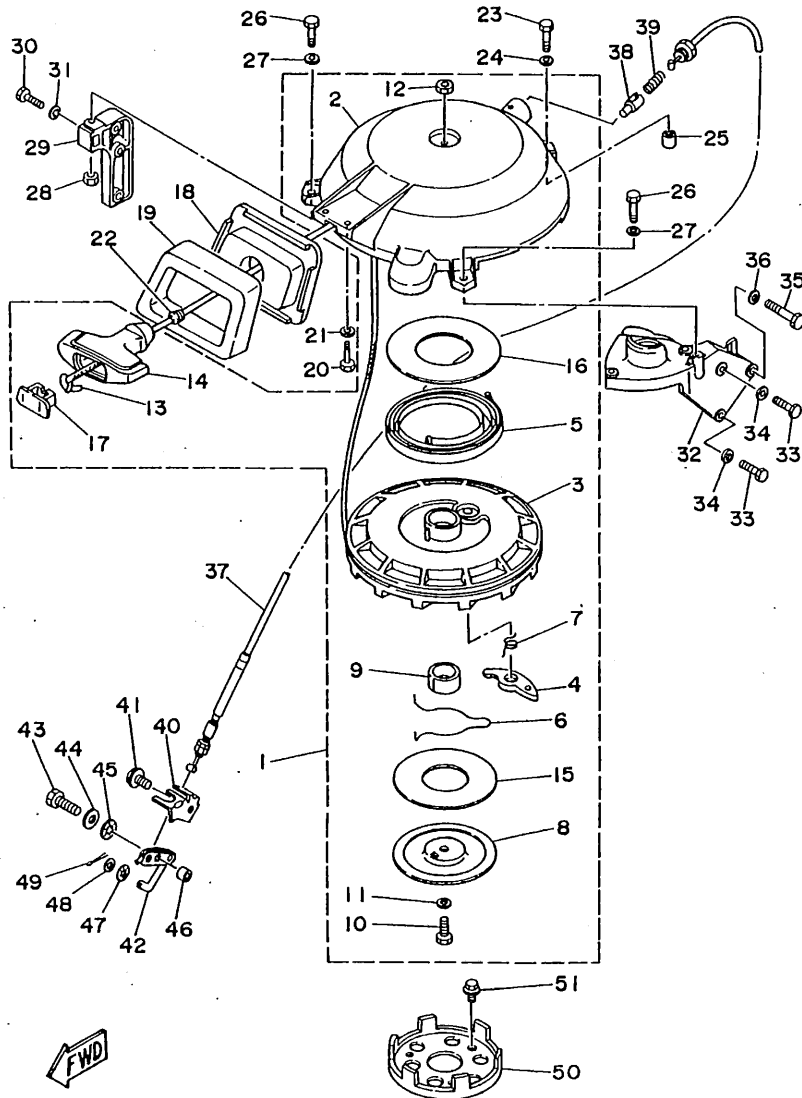
FIG. 5 STARTER

REF. NO.	PART NO.	DESCRIPTION	Q'TY	REMARKS
1	61N-W1571-10	STARTER ASSY	1	
2	61N-15711-10	.CASE, STARTER	1	
3	6G0-15714-01	.DRUM, SHEAVE	1	
4	6F5-15741-01	.PAWL, DRIVE	1	
5	6F5-15713-01	.SPRING, STARTER	1	
6	61N-15715-00	.SPRING, DRIVE PLATE	1	
7	61N-15734-00	.SPRING, RETURN	1	
8	6F5-15716-01	.PLATE, DRIVE	1	
9	6G0-15754-00	.BUSH 2	1	
10	97313-08030	.BOLT	1	
11	6F5-15726-01	.WASHER, FLAT	1	
12	95303-08700	.NUT	1	
13	*	.WIRE (L:1900MM)	1	
14	689-15755-01	.HANDLE, STARTER	1	
15	6F5-15764-00	.COLLAR 1	1	
16	6F5-15739-00	.WASHER, THRUST	1	
17	6F5-15779-02	.COVER	1	
18	61N-15758-00-4D	GUIDE, ROPE	1	
19	61N-15762-00	SEAL, RUBBER 2	1	
20	97095-06016	BOLT	2	
21	92990-06600	WASHER, PLATE	2	
22	6A0-15789-00	DAMPER	1	
23	97095-06035	BOLT	1	
24	92990-06600	WASHER, PLATE	1	
25	99530-10014	PIN, DOWEL	1	

* CUT FROM 50M ROLLS, PARTS NO. 90890-44393, CUTTING LENGTH 1.9M.

FIG. 5 STARTER

REF. NO.	PART NO.	DESCRIPTION	Q'TY	REMARKS
26	97095-06035	BOLT	2	
27	92990-06600	WASHER, PLATE	2	
28	95380-06600	NUT	1	
29	6H7-15771-01-94	STAY 1	1	
30	97095-06025	BOLT	2	
31	92990-06600	WASHER, PLATE	2	
32	61T-15772-00-94	STAY 2	1	
33	97095-06030	BOLT	2	
34	92990-06600	WASHER, PLATE	2	
35	97313-06045	BOLT	1	
36	92990-06600	WASHER, PLATE	1	
37	61T-15770-00	CABLE COMP., STARTER STOP	1	
38	656-15748-00	PLUNGER, STARTER STOP	1	
39	90501-10227	SPRING, COMPRESSION	1	
40	61T-15774-40-94	STAY 4	1	
41	97095-06010	BOLT	1	
42	656-15749-00	LINK, STARTER STOP	1	
43	97095-06020	BOLT	1	
44	92990-06600	WASHER, PLATE	1	
45	90206-08010	WASHER, WAVE	1	
46	90387-06568	COLLAR	1	
47	90206-05005	WASHER, WAVE	1	
48	92990-05600	WASHER, PLATE	1	
49	91490-16010	PIN, COTTER	1	
50	6F5-15723-01	PULLEY, STARTER	1	
51	90105-08M10	BOLT, WASHER BASED	3	



NUMERICAL INDEX

PART NO.	REF. NO.	PART NO.	REF. NO.	PART NO.	REF. NO.	PART NO.	REF. NO.	PART NO.	REF. NO.	PART NO.	REF. NO.
61N-W0001-E1	20- 1	648-13621-A1	3- 3	6F5-15716-01	5- 8	6A8-41131-10-58	12- 5	61T-42610-F0-4D	7- 1	689-43681-01	9-45
61T-W0001-01	19- 1		19-15	6F5-15723-01	5-50	664-41134-A0	12- 6	61T-42610-10-4D	7- 1	689-44111-00-4D	11-22
689-W0004-00	3- 2	61N-13641-00-94	3- 4	6F5-15726-01	5-11		20- 2	61N-42613-00-4D	7- 7	664-44113-01	11-23
61T-W0070-00	7-11	648-13645-A0	3- 5	61N-15734-00	5- 7	6A8-41135-00	12-13	6G0-42615-00	7- 2	689-44121-01	11-30
62C-W0070-10	7-11		19-10	6F5-15739-00	5-16		20- 3	61N-42628-00	7-10	689-44125-00	11-31
61N-W0078-0A	20-28	6L2-14157-00	4- 7	6F5-15741-01	5- 4	689-41135-00	12-13	689-42647-00	7- 3	664-44142-00	11-25
61N-W0078-00	20-19	61N-14198-00	3-12	689-15746-70-94	11-41		20- 3	6G0-42651-02	7- 5	61N-44143-00	11-35
61N-W0084-00-4D	10- 1		19-11	689-15747-70	11-47	689-41137-00-94	12- 8	626-42658-00	4-14	61N-44150-00	13-60
61N-W0090-00-4D	1- 1		19-26	656-15748-00	5-38	689-41141-00	12-11	689-42677-10	7-12	61N-44150-10	13-60
61T-W0090-01-4D	1- 1	61N-14212-00	4-26	656-15749-00	5-42	689-41142-00	12-12	695-42677-10	7-12	664-44167-00	11-19
61N-W0093-00	19-18	646-14212-01	4-23	660-15754-00	5- 9		20-18	689-42678-11	7-13	61N-44176-00	13-20
61N-W1571-10	5- 1	61N-14301-01	4- 1	689-15755-01	5-14		17-26	695-42678-11	7-13	61N-44194-00	17- 2
656-W2810-02	6-32	61T-14301-00	4- 1	61N-15758-00-4D	5-18	61N-41213-00-94	17-26	62C-42682-10	7-14	61T-44194-00	17- 2
61N-11111-01-94	1-19	664-14321-01	4-18	61N-15762-00	5-19	61N-41216-00	4-17	61R-42683-F0	7-15	61N-44131-00	13-11
61T-11111-01-94	1-19	61N-14323-00	4-24	6F5-15764-00	5-15	677-41226-00	4-15	689-42711-02-4D	8- 1		20-20
61N-11181-A0	1-21	6A0-14325-00	6-25	61T-15770-00	5-37	6H1-41237-00	11- 7	664-42715-00	11-18	61N-44322-00	13-13
	19- 5	677-14327-00	4-16	6H7-15771-01-94	5-29		11-12	689-42716-00	9-70		20-22
61N-11191-01-9M	1-22	61N-14341-00	4- 9	61T-15772-00-94	5-32	679-41241-01	11- 9	689-42718-00	9-67	61N-44322-40	20-29
61T-11193-A0	1-23	61T-14341-00	4- 9	656-15772-00-94	5-32	689-41252-01	3-20	676-42724-40	8-21	61N-44323-00	13-16
	19- 6	6L2-14342-32	4-11	61T-15774-40-94	5-40	61N-41256-00	3-21	682-42724-00	8-15		20-25
6J8-11325-00	1-12	61N-14343-63	4-10	6F5-15779-02	5-17	661-41262-02	3-22	689-42724-50	18- 4	61N-44323-40	20-30
689-11325-00	1-17	61N-14343-65	4-10	6A0-15789-00	5-22	682-41271-00	3-17	689-42725-00	8-16	61N-44328-00	13-19
6H3-11327-00-94	1-13	50M-14355-00	4-12	6G1-24304-02	6- 1	689-41273-00	3-18	660-42796-00	8- 5	6H4-44352-02	13-14
6H3-11328-00	1-14		19-23	6A1-24311-00	6-30	6J8-41274-00	3-19	689-42815-00	8- 9		20-23
676-11372-00	1-20	6J0-14379-10	4-13	689-24311-00	6-13	676-41611-00	11-51	689-42816-00	8-12	61N-44361-00	14- 1
	1-35	61N-14381-00	4- 2	61N-24329-00	6- 2	689-41612-01	15-17	689-43111-03-4D	9- 1	61N-44361-10	14- 1
61N-11400-00	2- 1	677-14383-01	4-20	692-24410-00	6-15	676-41613-00	11-52	689-43112-02-4D	9- 2	61N-44362-00	13- 7
61N-11412-00	2- 2	6L2-14384-00	4-25	663-24411-00	6-20	61N-41615-00	17- 1	6J8-43113-01	9-12	61N-44362-10	13- 8
61N-11422-00	2- 3		19-13	692-24411-00	6-17	61N-41631-00-94	11- 2	648-43114-01	9- 6	689-44366-00	14- 2
61N-11432-00	2- 4		19-25	6A0-24412-02	6-26	689-42111-00-4D	10- 2	6E7-43116-00	9- 5		20- 4
61N-11442-00	2- 5	6L2-14385-00	4- 5	648-24413-01	6-16	689-42112-00-4D	10- 7	616-43118-00-4D	9- 3	6L2-44367-00	13-12
61N-11515-00	2-10		19-21	6A0-24421-01	6-24	664-42119-00	10-11	6J8-43131-01	9- 7		20- 6
61N-11603-00	2-17	6E5-14386-01	4- 4	650-24431-A0	6-27	656-42126-01	10-24	6G5-43145-00	9- 8		20-21
61N-11604-00	2-17		19-20		19-17	689-42137-20	10-14	689-43160-00	9-18	664-44514-00-94	9-79
61N-11605-00	2-17	61N-14392-00	4- 3	648-24434-01	6-18	689-42138-00	10-19	689-43165-00	9-19	689-44516-00	9-75
61N-11631-00-95	2-16		19-19	648-24435-02	6-21	656-42153-00-94	11-15	689-43191-00	9-13	648-44518-00-94	9-60
689-11633-00	2-18	6L2-14398-00	4-21	61N-24521-00	6- 8	689-42154-70-94	11-14	689-43192-01	9-14	648-44519-00-94	9-62
688-11634-00	2-20		19-24	61N-24560-00	6- 6	689-42154-80-94	11-14	689-43311-03-4D	9-26	689-44551-00-4D	9-87
61N-11635-00	2-16	6L2-14399-00	4- 8	61N-24563-00	6- 7	689-42169-01	11-11	682-43318-01	9-46	689-44552-00-4D	9-89
61N-11636-00	2-16		19-22	61N-24566-01	6-11	6G1-42177-00	10-12	689-43373-01	9-30	689-44553-00-94	9-83
689-11651-00	2-12	61N-14440-00	3-13	61N-26311-00	10-20	689-42511-00-4D	9-50	689-43614-00	9-40	689-44555-00	9-88
689-11681-01	2-13	689-14497-00	11- 1	61N-26326-00	10-23	689-42521-00-94	9-53	648-43615-00	9-41	689-44557-00	9-84
6E5-12411-01	1-27	61N-15100-00-94	1- 2	6K8-41121-00-9M	1-32	647-42523-00	8-17	689-43616-00	9-35	648-44591-A0	9-74
655-12413-01-9M	1-29	689-15396-01-58	1- 6	6K8-41122-A1	1-33	682-42525-00	18- 7	648-43617-00	9-38		9-78
655-12414-A1	1-30	61N-15711-10	5- 2		19- 8	648-42528-00	9-29	689-43631-00	9-32	664-44591-A0	9-80
	19- 7	6F5-15713-01	5- 5	61N-41123-00-9M	1-34	624-42542-00	17- 7	689-43633-00	9-33	689-45111-02-4D	12- 1
61N-13610-00	3- 1	6G0-15714-01	5- 3	6K8-41124-A1	1-37	61R-42610-F0-4D	7- 1	648-43642-00	9-36	689-45111-11-4D	12- 1
689-13610-01	3- 1	61N-15715-00	5- 6		19- 9	61R-42610-10-4D	7- 1	689-43643-00	9-34	61T-45113-A0	19-14

NUMERICAL INDEX

PART NO.	REF. NO.	PART NO.	REF. NO.	PART NO.	REF. NO.	PART NO.	REF. NO.	PART NO.	REF. NO.	PART NO.	REF. NO.
689-45113-A1	1-44	664-45949-02-EL	14-18	61N-85540-00	17-13	90201-08M87	8- 4	90430-08020	20-11	92990-05600	11-49
663-45119-00	9-17	664-45952-00-EL	14-18	61N-85541-09	15- 3	90201-16M44	15-16		20-12		11-54
	9-28	664-45954-00-EL	14-18	61N-85542-00-94	17- 5	90201-20M27	2-21	90445-09M75	6- 4		17-28
	9-69	6L2-45987-01	14-13	61N-85543-09	15- 5	90201-20A17	13-50	90445-10M41	1-36		18-26
61N-45127-00	13-27	689-45997-00	14-14	61N-85543-19	15- 6	90201-21567	1-28	90446-10M02	17-30	92990-06300	13-34
6L2-45214-00	14- 9	61N-81313-09	15- 4	61N-85550-00	15- 1	90201-22M03	9-10	90465-08M51	3-24	92990-06600	1-11
6L2-45215-00	14-10	6E9-81328-70	15- 7	61T-85550-00	15- 1	90201-28M00	10- 5	90465-13M11	17-18		1-16
61N-45251-00	13-32	689-81800-13	16- 1	61N-85560-00	15- 2	90201-50306	1-43	90465-18147	18-18		1-25
61N-45300-00-4D	13- 1	689-81807-12	16- 3	61N-85561-00	15-10	90202-06007	11-27	90467-08004	6- 5		1-39
61N-45300-10-4D	13- 1	689-81809-11	16- 7	6H5-85570-00	17-19		11-36		6-14		1-41
61N-45311-00-4D	13- 2	689-81810-11	16- 9	61N-85570-10	17-19	90202-10024	11-33		6-31		3- 7
61N-45315-00	13-28	689-81811-11	16-12		17-19	90202-34043	10- 4	90480-10155	18-14		3- 9
	20- 9	689-81812-11	16-11	61T-86111-00	18-10	90206-05005	5-47	90480-14M14	7- 9		3- 9
61N-45321-00	13-21	689-81813-10	16-13	61T-86112-00	18-13		11-48	90480-15M06	8- 2		3-11
61N-45331-00-5B	13-25	689-81820-11	16-14	682-86116-00	18-11	90206-08010	5-45	90480-17M08	8-20		5-21
688-45341-00	13-35	689-81826-10	16-15	682-86117-00	18-12	90206-12052	8-10		18- 9		5-24
61N-45361-00-4D	13-53	689-81830-11	16- 4	90101-06M22	14- 7	90206-28M07	10- 6	90480-17165	18- 5		5-27
61N-45371-00	14- 6	689-81831-00	16- 5	90101-08339	9-22	90209-24M03	2-15	90480-25161	17-23		5-31
61N-45510-00	13-37	689-81840-11	16-10	90105-06M07	9-52	90209-47016	9-55	90480-29045	9-51		5-34
61N-45510-10	13-37	689-81847-11	16- 6		11-24	90240-05046	9-42	90501-09M08	11-21		5-36
61N-45536-00	13- 5	689-81850-12	16- 8	90105-06M08	9-71	90243-04M00	9- 4	90501-10065	13-49		5-44
61N-45551-00	13-39	689-81857-11	16- 2	90105-06M18	9-31	90249-06M22	9-37	90501-10227	5-39		6-29
61N-45560-00	13-43	6H3-81922-00	17-17	90105-08M10	5-51	90250-05010	13-47	90501-14M07	11-20		9-65
6L2-45567-00-10	13-42	6G1-81940-00	18-19	90105-10M12	14- 4	90266-04M00	7- 6	90501-23215	10-17		10- 9
6L2-45567-00-11	13-42	6G1-81941-10	18-20	90109-06M18	9-47	90266-04M01	7- 4	90502-10M07	9-21		13-18
6L2-45567-00-12	13-42	61T-81945-00	18-22	90113-05M04	11-42	90269-02M09	10-15	90506-16M17	9-48		13-24
6L2-45567-00-14	13-42	6G1-81952-00	18-21	90119-06MA0	1-42	90280-03024	13-38	90506-30M27	9-44		17- 4
61N-45571-00	13-51	664-81970-61	18-24	90119-06M94	3-15	90280-05049	15-14	90508-14M13	11-32		20-27
6L2-45577-00-10	13-52	689-82105-13	18- 3	90119-06M95	17- 8	90340-08M04	13-30	90560-14076	10- 3	92990-08600	16-17
6L2-45577-00-11	13-52	682-82150-10	18-29	90119-08M03	9-91	90381-12M01	9-66	90890-44393	5-13		16-19
6L2-45577-00-12	13-52	682-82151-00	18-30	90119-08M18	1- 3	90386-08032	10-18	91490-12012	11-28	92990-10200	9-73
6L2-45577-00-13	13-52	61N-82317-00	17- 6	90119-08M20	1- 4	90386-10009	11-16	91490-16010	5-49		9-81
61N-45587-00-07	13- 4	6G1-82370-20	17-25	90119-08M29	1-26	90386-12069	8-11		9-43	92990-10600	10-16
61N-45587-00-10	13- 4	663-82370-01	17-25	90123-06M00	10-21	90386-22M67	9-11		11-26		14- 5
61N-45587-00-11	13- 4	61N-82519-01	17-10	90149-05M13	10-13	90386-38022	9-59		11-50	92990-14200	14-15
61N-45587-00-12	13- 4	689-82531-02	18-23	90161-06M00	18- 8	90386-38090	9-57	91490-20010	11-38	92995-06100	17-12
61N-45587-00-13	13- 4	689-82540-01	17-29	90170-06015	11-39	90386-47M22	9-56	91490-30030	12-14		17-16
61N-45587-00-14	13- 4	682-82556-00	8-19	90170-06183	10-22	90387-06M02	11- 3		14-17		17-22
61N-45587-00-15	13- 4	61T-82560-00	18-31	90171-14013	14-16		11-45	91690-30008	9-20		18-28
61N-45587-00-16	13- 4	6E9-82575-02	8-18	90179-06M24	7- 8	90387-06M26	3-16	91690-30016	9-15	92995-08600	8- 7
6L2-45611-00	13-44	61T-82580-00	18- 1	90179-10M14	13-40	90387-06298	11- 4	91690-40016	11-34		9-24
664-45631-01	13-46	61T-82588-00	18-32	90179-16M05	15-15		11-46	91690-40018	11-17		9-86
648-45633-00	13-48	61T-82590-00	18- 2	90185-05002	14-12	90387-06568	5-46	91690-40035	9-49		9-93
648-45635-00	13-45	689-82594-10	18- 6	90185-06062	10-26	90387-08M03	9-23	91690-40048	3-23		9-96
664-45941-01-EL	14-18	682-84381-00	8-15	90185-22M11	9- 9	90387-08M25	8- 3	92990-05100	6-23		12- 4
664-45943-01-EL	14-18	6E9-85516-70	15- 9	90201-06M02	8-13	90387-10M39	9-61	92990-05600	5-48		12-10
664-45945-00-EL	14-18	663-85518-00	11-10	90201-06M30	17- 9	90430-08020	13-31		11-29	93101-16M36	1- 8
664-45947-01-EL	14-18	61N-85537-00	15-13	90201-06049	14- 8		13-36		11-37		19- 3

NUMERICAL INDEX

PART NO.	REF. NO.	PART NO.	REF. NO.	PART NO.	REF. NO.	PART NO.	REF. NO.	PART NO.	REF. NO.	PART NO.	REF. NO.
93101-20M07	13-57	93700-06M03	9-27	97095-06030	5-33						
	20-14		9-68	97095-06035	5-23						
93101-22067	13-29	94701-00160	1-45		5-26						
	20-10	94701-00217	1-45	97095-06040	6-28						
93102-25M28	1- 7	94702-00247	1-45		13-17						
	19- 2	94702-00271	1-45		20-26						
93102-26M27	2- 7	95303-08700	5-12	97095-06050	10- 8						
93210-03261	18-17	95380-03600	6-19	97095-08020	12- 9						
93210-06ME6	13-22	95380-05600	11-13	97095-08070	9-94						
	20- 8		11-43	97313-06022	1-24						
93210-22298	13- 9	95380-05700	11- 8	97313-06045	5-35						
	20-16	95380-06600	5-28	97313-06050	3-10						
93210-26240	13-10		5-28	97313-08012	16-18						
	13-10		11-40	97313-08030	5-10						
	20- 5	95380-08600	6-10		16-16						
93210-32738	6- 9		9-25	97395-06014	6-12						
	19-16		9-90	97395-06022	1-10						
93210-37M67	9-58		9-95	97395-08025	9-85						
93210-40659	3-14	95380-08700	8- 6	97395-08030	12- 3						
	19-12		8- 8	97395-08065	9-92						
	19-27	95380-10600	9-72	97595-06520	1-31						
93210-42159	2- 8		9-77		6- 3						
93210-45161	13-15	95380-10800	9-82		9-76						
	20- 7	95895-06035	13-33		10-10						
	20-24	97014-06035	3- 8		13-59						
93210-57M09	1- 9		3- 8		17-14						
	19- 4	97080-06018	9-64		17-20						
93210-64ME7	13-55	97095-05016	17-27		17-24						
	20-13	97095-06010	5-41	97607-06125	15-12						
93210-65M50	13-58		8-14	98501-04006	15- 8						
	20-15		17- 3	98517-04012	15-11						
93306-00612	13-54	97095-06012	11- 6	98580-04006	18-15						
93306-305U3	2- 9		17-11	98580-04010	4- 6						
93310-624U5	2-14		17-15	98580-04012	4-19						
93311-632U7	2- 6		17-21	98580-05012	11-53						
93315-220V7	13- 6		18-27		18-16						
93315-220U4	13-56	97095-06016	1-15	98580-05525	18-25						
93332-000W5	13- 3		5-20	98580-05530	6-22						
93332-000O5	13-41	97095-06020	5-43	98580-06010	15-18						
93440-62057	2-11		10-25	98580-06016	12- 7						
93602-20M02	2-19		11-44	98780-05530	14-11						
93604-10M03	13-26	97095-06025	1-38	98780-06020	1-18						
93606-12019	1- 5		3- 6	98980-04006	4-22						
	9-63		5-30	99009-17500	18-33						
	12- 2		5-33	99080-05600	9-39						
	14- 3		11- 5	99530-10014	5-25						
93608-12063	9-54		13-23								
93700-06M03	9-16	97095-06030	1-40								

