

**PARTS  
CATALOGUE  
CATALOGUE  
DE PIECES DETACHEES**

# 3AMH'02(6L51)

---

2A6L5-300F1

**YAMAHA**  
**GENUINE**  
Parts & Accessories

2006/9/1

NEWS NO.	DATE	COMMENT
PE0-OM-060013	Aug.,22,2006	COR:FIG.9 PROPELLER PART NAME CORRECTION

# FOREWORD

This Parts Catalogue is related to the parts for the model(s) in the below frame. When you are ordering replacement parts, please refer to this Parts Catalogue and quote both part numbers and part names correctly.

3AMH'02(6L51)

1. Modifications or additions which have been made after issue of the Parts Catalogue will be announced in the Yamaha Parts News. It is advisable that you make necessary corrections to the Parts Catalogue according to the Yamaha Parts News.

2. Abbreviations

The Following abbreviations are used in this Parts Catalogue.

“UR” Use specified parts number.

“UN” Use as many as needed.

“AP” Alternate Parts

“LM” Local Made

(Parts need to be ordered locally)

“O/S” Over Size

3. Parts, which are to be supplied in an assembly, are listed with a dot(.) in front of the part name as shown below.

EXAMPLE

CARBURETOR ASSY

.JET, PILOT

.NOZZLE, MAIN

4. Number of component for assembly

The numeral appearing to the right of each component part indicates the quantity of parts for each assembly unit.

EXAMPLE

PART NO.	DESCRIPTION	□	田	田	田	REMARKS
6E0-85500-70	C.D.I. MAGNETO ASSY	1				
6E0-85550-70	.ROTOR ASSY	1				
6E0-15723-00-94.	PULLY, STARTER	1				

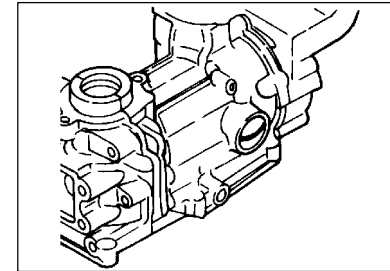
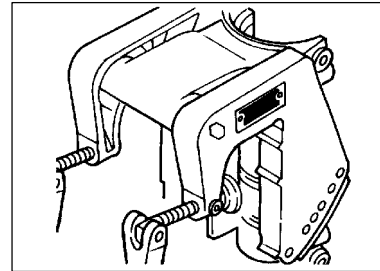
5. Quantity Column Information

NAME for Q'TY COLUMN	APPLICABLE MODEL
3A	3AMH

6. Applicable Starting Serial No. and Color Code

1) Engine Starting Serial No.

3AMH	6L5K	S : 002977
	6L5K	L : 300565



2) Color Code

Color Code	Color Name	Abbreviation
004D	DARK BLUISH GRAY METALLIC 2	DBNM2

7. Note that the illustrations for reference in finding parts numbers, not to be used for assembling. When assembling, please use the applicable service manual.

8. The asterisk (\*) before a reference number indicates modification items after the first edition.

# CONTENTS

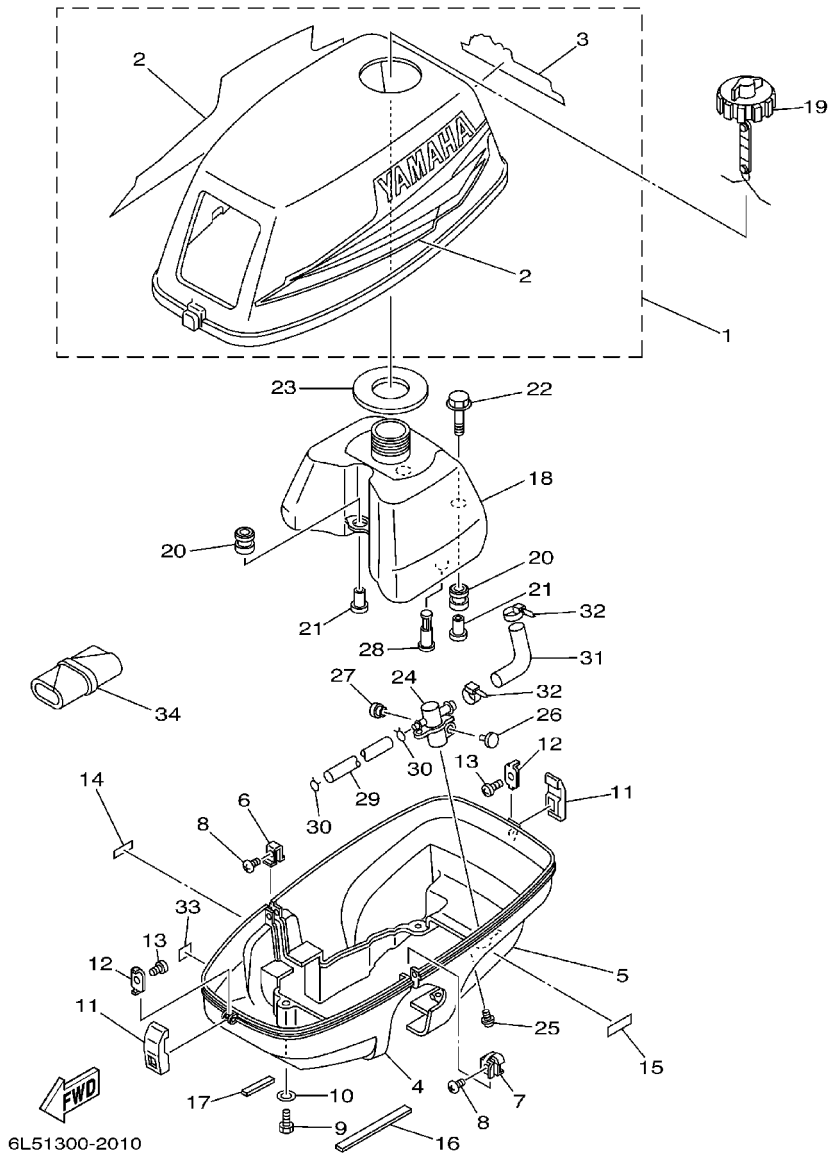
COWLING . FUEL .....	A4
CYLINDER. CRANKCASE .....	A6
INTAKE .....	B1
STARTER .....	B3
GENERATOR .....	B4
ELECTRICAL .....	B5
CONTROL .....	B6
UPPER CASING . BRACKET .....	C1
LOWER CASING. DRIVE .....	C4
REPAIR KIT .....	C7

## INDEX

NUMERICAL INDEX .....	D2
-----------------------	----

FIG. 1 COWLING . FUEL

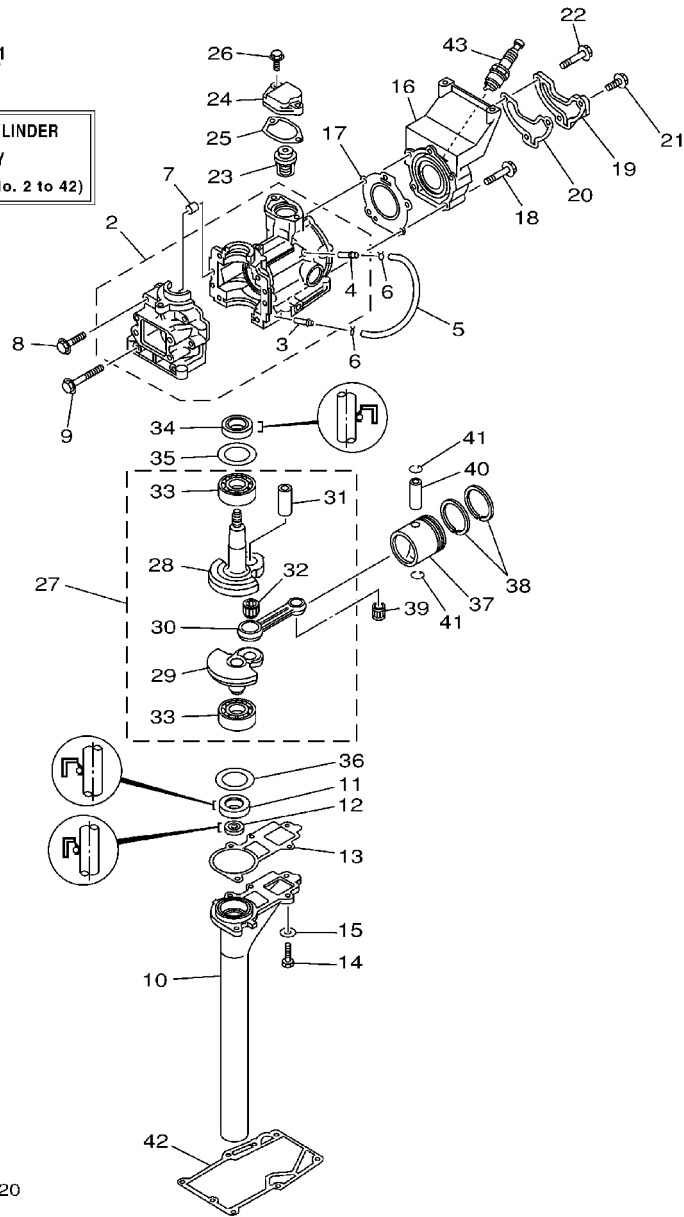
CAPOT, SECTION D'ALIMENTATION



REF. NO.	PART NO. NO. PIECES	DESCRIPTION DESCRIPTION	3A	REMARKS REMARQUES
1	6L5-42610-54-4D	TOP COWLING ASSY CAPOT (ENS.)	1	
2	6L5-W0070-13	.GRAPHIC SET .JEU DIEMBLEMES	1	
3	6L5-42678-51	.GRAPHIC, REAR .ADHESIF, ARRIERE	1	
4	6L5-42711-11	COWLING, BOTTOM CUVETTE	1	
5	6L5-42712-12	COWLING, BOTTOM CUVETTE	1	
6	6L5-42774-00	STAY, APRON 1 COUSSINET	1	
7	6L5-42775-00	STAY, APRON 2 COUSSINET	1	
8	97880-05010	SCREW, PAN HEAD VIS, TETE TRONCONIQUE	2	
9	97095-06016	BOLT BOULON	4	
10	92995-06600	WASHER RONDELLE	4	
11	6L5-42647-00	HOLDER, CLAMP BAND SUPPORT, SANDOW DE SERRAGE	2	
12	6L5-42823-00	PLATE, STOP PLAQUE	2	
13	90167-03M02	SCREW, TAPPING VIS, TETE FRAISEE	2	
14	6L5-44191-00	INDICATOR, SHIFT ETIQUETTE, EMBRAYAGE	1	
15	6L5-24591-00	EMBLEM, FUEL COCK ADHESIF	1	
16	6L5-42662-00	DAMPER AMORTISSEUR	1	
17	6L5-42663-00	DAMPER AMORTISSEUR	1	
18	6L5-24111-02	TANK, FUEL RESERVOIR, A ESSENCE	1	
19	6L5-24610-20	CAP ASSY BOUCHON	1	
20	6A0-82317-00	DAMPER, IGNITION COIL AMORTISSEUR, BOBINE D'ALLUM	3	
21	624-42542-00	PIPE TUYAU	3	
22	90119-06M65	BOLT, WITH WASHER BOULON, AVEC RONDELLE	2	
23	6L5-24641-00	GASKET, CAP 1 JOINT 1, BOUCHON	1	
24	6L5-24500-60	FUEL COCK ASSY 1 ROBINET A ESSENCE	1	
25	90159-06M10	SCREW, WITH WASHER VIS, AVEC RONDELLE	1	
26	6L5-44196-20	INDICATOR 3 INDICATEUR 3	1	
27	6L5-44197-20	INDICATOR 4 INDICATEUR 4	1	



**CRANK CYLINDER  
ASSY**  
(Fig. 2, Ref. No. 2 to 42)

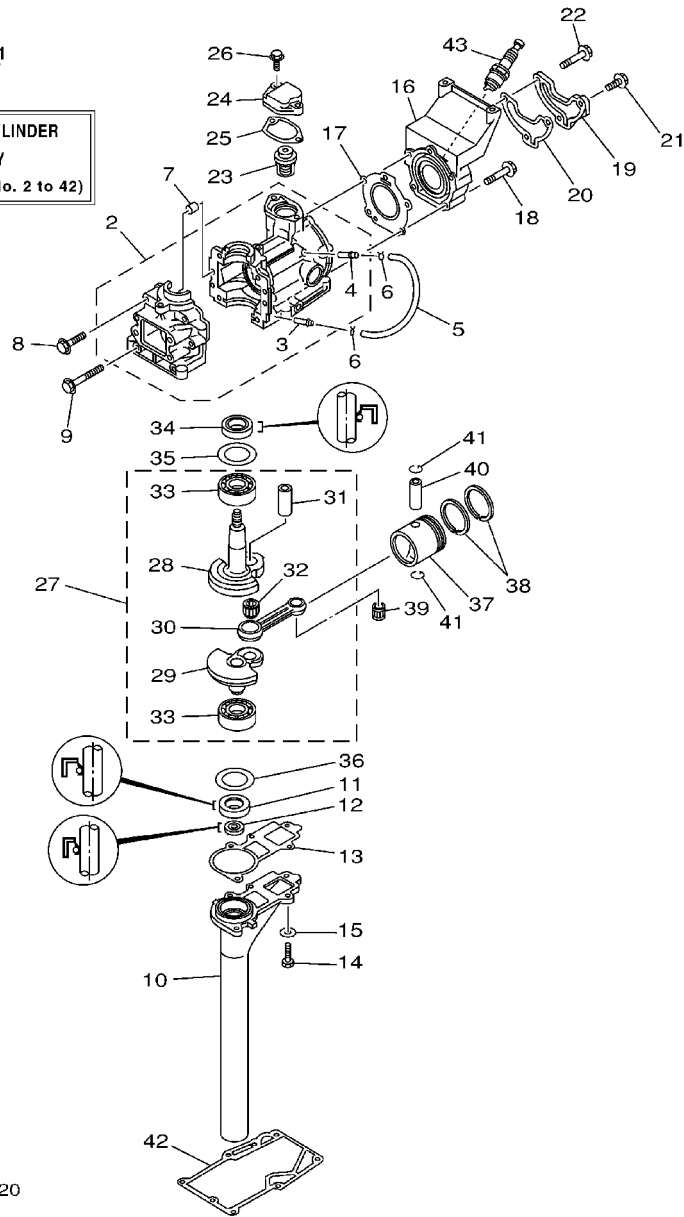


6L51200-2020

**FIG. 2 CYLINDER. CRANKCASE CYLINDRE. CARTER**

REF. NO.	PART NO. NO. PIECES	DESCRIPTION DESCRIPTION	3A				REMARKS REMARQUES
1	6L5-W0090-01-1S	CRANK CYLINDER ASSY EMBIELLAGE CYLINDRE (ENS.)	1				
2	6L5-15100-00-1S	CRANKCASE ASSY CARTER DE MOTEUR COMPLET	1				
3	624-14485-00	.PIPE, JOINT .DURITE	1				
4	6E5-11372-00	.NIPPLE, HOSE .RACCORD, TUYAU	1				
5	90445-07M29	HOSE (L135) DURITE (L135)	1				
6	90467-06016	CLIP JONC	2				
7	93606-12019	PIN, DOWEL GOUJON	2				
8	90105-06M16	BOLT, FLANGE BOULON	4				
9	90105-06M40	BOLT, FLANGE BOULON	2				
10	6L5-15396-00-94	HOUSING, OIL SEAL LOGEMENT DE JOINT SPY	1				
11	93101-20M29	OIL SEAL JOINT SPY	1				
12	93101-09M42	OIL SEAL JOINT SPY	1				
13	6L5-15369-A0	GASKET, OIL SEAL HOUSING JOINT SPY DE LOGEMENT	1				
14	97095-06020	BOLT BOULON	5				
15	92995-06600	WASHER RONDELLE	5				
16	6L5-11111-00-1S	HEAD, CYLINDER 1 CULASSE	1				
17	6L5-11181-A2	GASKET, CYLINDER HEAD 1 JOINT, DE CULASSE 1	1				
18	90119-06047	BOLT, WITH WASHER BOULON, AVEC RONDELLE	3				
19	6L5-11191-00-1S	COVER, CYLINDER HEAD 1 COUVERCLE, CULASSE 1	1				
20	6L5-11193-A1	GASKET, HEAD COVER 1 JOINT, COUVERCLE DE CULASSE 1	1				
21	90119-06MA2	BOLT, WITH WASHER BOULON, AVEC RONDELLE	1				
22	90119-06027	BOLT, WITH WASHER BOULON, AVEC RONDELLE	2				
23	6E5-12411-01	THERMOSTAT THERMOSTAT	1				
24	6L5-12413-00-1S	COVER, THERMOSTAT COUVERCLE, THERMOSTAT	1				
25	6L5-12414-A1	GASKET, COVER JOINT, COUVERCLE	1				
26	90119-06MA2	BOLT, WITH WASHER BOULON, AVEC RONDELLE	1				
27	6L5-11400-00	CRANKSHAFT ASSY VILEBREQUIN COMPLET	1				

**CRANK CYLINDER  
ASSY**  
(Fig. 2, Ref. No. 2 to 42)



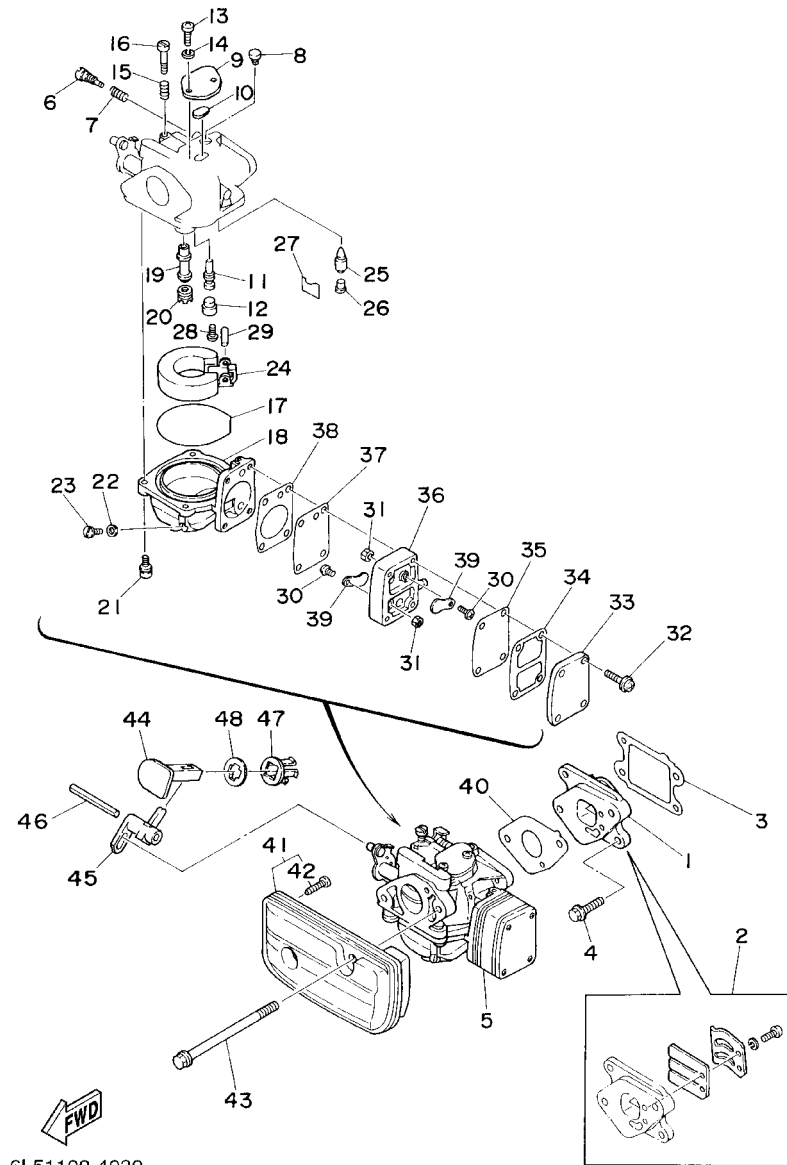
6L51200-2020

**FIG. 2 CYLINDER. CRANKCASE CYLINDRE. CARTER**

REF. NO.	PART NO. NO. PIECES	DESCRIPTION DESCRIPTION	3A			REMARKS REMARQUES
28	6L5-11412-00	.CRANK 1 .MASSOLOTTE DE VILEBREQUIN 1	1			
29	6L5-11422-00	.CRANK 2 .MASSOLOTTE DE VILEBREQUIN 2	1			
30	6L5-11651-00	.ROD, CONNECTING .BIELLE NUE	1			
31	6L5-11681-00	.PIN, CRANK 1 .MANETON, VILEBREQUIN 1	1			
32	93310-416N7	.BEARING .ROULEMENT	1			
33	93306-204U0	.BEARING .ROULEMENT	2			
34	93102-20M06	OIL SEAL JOINT SPY	1			
35	90201-32M00	WASHER, PLATE RONDELLE, PLATE	1			
36	90201-32M01	WASHER, PLATE RONDELLE, PLATE	1			
37	6L5-11631-00-96	PISTON (STD) PISTON (STD)	1			
	6L5-11635-00	PISTON (0.25MM O/S) PISTON (0.25MM O/S)	1			AP
	6L5-11636-00	PISTON (0.50MM O/S) PISTON (0.50MM O/S)	1			AP
38	6L5-11610-00	PISTON RING SET (STD) JEU DE SEGMENTS (STD)	1			
	6L5-11610-10	PISTON RING SET (0.25MM O/S) JEU DE SEGMENTS (0.25MM O/S)	1			AP
	6L5-11610-20	PISTON RING SET (0.50MM O/S) JEU DE SEGMENTS (0.50MM O/S)	1			AP
39	93310-112U0	BEARING ROULEMENT	1			
40	6L5-11633-00	PIN, PISTON AXE, PISTON	1			
41	93450-13022	CIRCLIP CIRCLIP, TYPE S	2			
42	6L5-45113-A1	GASKET, UPPER CASING JOINT, TUBE D'ARBRE	1			
43	94702-00274	PLUG SPARK (NGK BR6HS-10) BOUGIE D'ALLUMAGE (NGK BR6HS-10)	1			

FIG. 3 INTAKE

ADMISSION

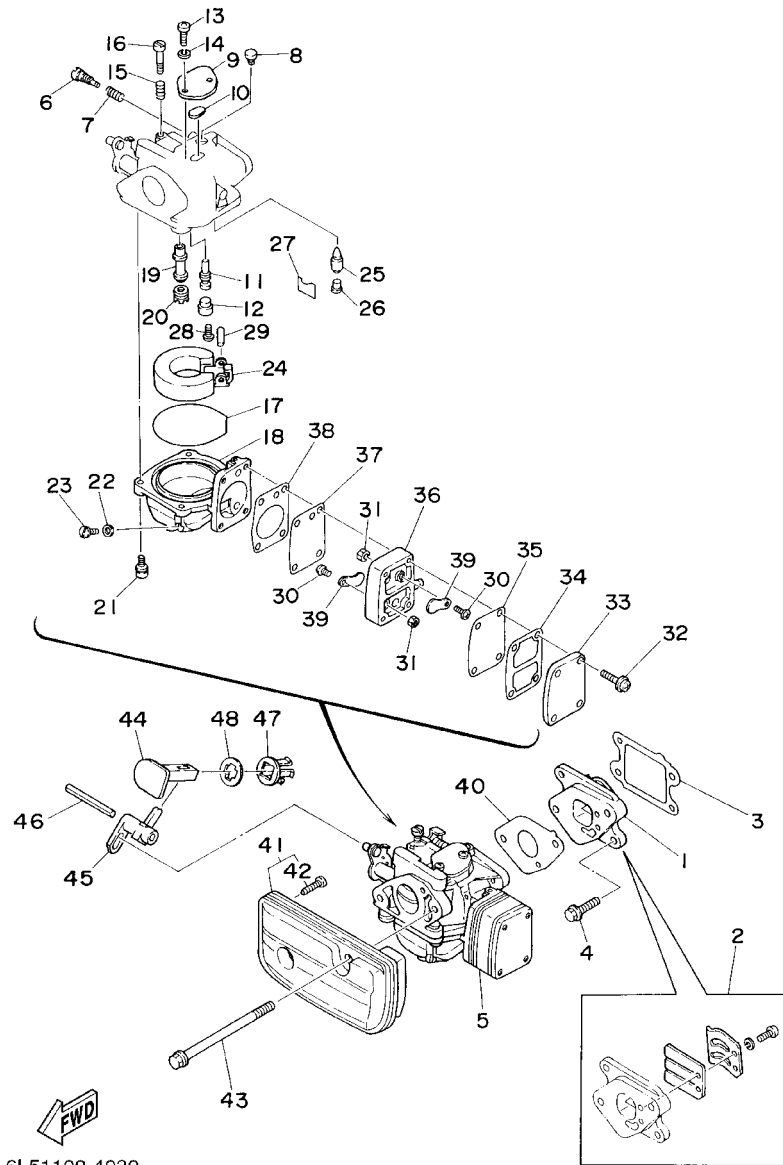


6L51100-4030

REF. NO.	PART NO. NO. PIECES	DESCRIPTION DESCRIPTION	3A				REMARKS REMARQUES
1	6L5-13610-02	REED VALVE ASSY CLAPET COMPLET	1				
2	6L5-W0004-02	.REED SET .JEU DE CLAPETS	1				
3	6L5-13621-A2	GASKET, VALVE SEAT JOINT, SIEGE DE CLAPET	1				
4	95895-06016	BOLT, FLANGE BOULON, A COLLERETTE	2				
5	6L5-14301-03	CARBURETOR ASSY 1 CARBURATEUR COMPLET 1	1				
6	679-14923-00	.SCREW, PILOT .VIS, RALENTI	1				
7	679-14555-00	.SPRING .RESSORT	1				
8	6G1-14966-00	.CAP .CAPUCHON	1				
9	6G1-14527-00	.PLATE .PLAQUE	1				
10	6G1-14126-00	.GASKET JOINT	1				
11	6L5-14948-03	.JET (#40) .GICLEUR (#40)	1				
12	676-14966-00	.CAP .CAPUCHON	1				
13	97880-04010	.SCREW, PAN HEAD .VIS, TETE TRONCONIQUE	2				
14	92990-04100	.WASHER, SPRING .RONDELLE, GROWER	2				
15	90501-10326	.SPRING, COMPRESSION RESSORT, COMPRESSION	1				
16	63V-14523-00	.SCREW, STOP .VIS, BUTEE	1				
17	6G1-14984-00	.O-RING JOINT TORIQUE	1				
18	6G1-14980-01	.BODY, FLOAT CHAMBER .CORPS, CUVE DE FLOTTEUR	1				
19	6L5-14947-01	.JET, NEEDLE .GICLEUR DE STARTER	1				
20	676-14943-14	.JET, MAIN (#68) .GICLEUR, PRINCIPAL (#68)	1				
21	97980-04114	.SCREW, WITH WASHER .VIS, AVEC RONDELLE	4				
22	6G1-14398-00	.WASHER .RONDELLE	1				
23	6G1-14992-00	.SCREW, DRAIN BOUCHON, PURGE	1				
24	6G1-14985-00	.FLOAT .FLOTTEUR	1				
25	6G1-14546-00	.VALVE, NEEDLE .POINTEAU	1				
26	676-14186-00	.PIN, FLOAT .AXE, FLOTTEUR	1				
27	663-14159-00	.CLIP .JONC	1				

FIG. 3 INTAKE

ADMISSION



6L51100-4030

REF. NO.	PART NO. NO. PIECES	DESCRIPTION DESCRIPTION	3A				REMARKS REMARQUES
28	98580-04008	.SCREW, PAN HEAD .VIS, TETE TRONCONIQUE	1				
29	688-14548-00	.PIN, FLOAT ARM .AXE, BRAS DE FLOTTEUR	1				
30	98580-03006	.SCREW, PAN HEAD .VIS, TETE TRONCONIQUE	2				
31	95380-03600	.NUT .ECROU	2				
32	97980-04125	.SCREW, WITH WASHER .VIS, AVEC RONDELLE	4				
33	6G1-24452-00	.COVER .COUVERCLE	1				
34	6G1-24432-00	.GASKET, FUEL PUMP 2 .JOINT 2 DE POMPE A ESSENCE	1				
35	6G1-24471-00	.DIAPHRAGM .DIAPHRAGME	1				
36	6G1-24412-01	.BODY 1 .CORPS 1	1				
37	6G1-24411-00	.DIAPHRAGM .DIAPHRAGME	1				
38	6G1-24431-01	.GASKET, FUEL PUMP 1 .JOINT 1 DE POMPE A ESSENCE	1				
39	6L5-24421-00	.VALVE, CHECK .SOUPAPE, RETENUE	2				
40	6L5-14198-A1	GASKET .JOINT	1				
41	6L5-14440-00	SILENCER ASSY, INTAKE SIENCIEUX D'ADMISSION	1				
42	97780-40716	.SCREW, TAPPING .VIS, TETE FRAISEE	2				
43	95895-06095	BOLT, FLANGE BOULON, A COLLERETTE	2				
44	6L5-41271-20	KNOB, CHOKE BOUTON DE STARTER	1				
45	6L5-41252-00	LEVER, CHOKE 1 LEVIER 1	1				
46	91690-40048	PIN, SPRING GOUILLE, ELASTIQUE	1				
47	689-41273-00	GROMMET PASSE-FIL	1				
48	6J8-41274-00	GROMMET 2 PASSE-FIL 2	1				

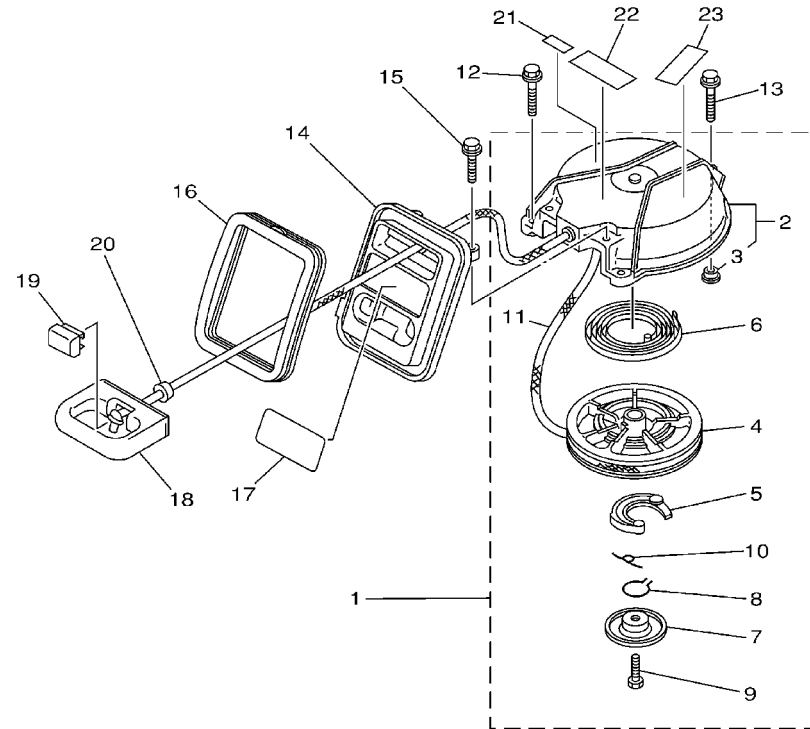


FIG. 4 STARTER

DEMARREUR

REF. NO.	PART NO. NO. PIECES	DESCRIPTION DESCRIPTION	3A				REMARKS REMARQUES
1	6L5-15710-00	STARTER ASSY DEMARREUR COMPLET	1				
2	6L5-15711-00	.CASE, STARTER .CARTER DE DEMARREUR	1				
3	90387-06M70	..COLLAR ..COLLERETTE	1				
4	6L5-15714-00	.DRUM, SHEAVE .TAMBOUR, POULIE	1				
5	6L5-15741-00	.PAWL, DRIVE .CLIQUET, ENTRAINEMENT	1				
6	6L5-15713-00	.SPRING, STARTER .RESSORT DE DEMARREUR	1				
7	6L5-15716-00	.PLATE, DRIVE .PLAQUE, ENTRAINEMENT	1				
8	6A1-15705-00	.SPRING, DRIVE PAWL .RESSORT DE CLIQUET	1				
9	97313-06012	.BOLT .BOULON	1				
10	6A1-15767-00	.SPRING .RESSORT	1				
11	*	.WIRE (L:1650MM) .FIL (L:1650MM)	1				
12	95895-06020	BOLT, FLANGE BOULON, A COLLERETTE	2				
13	95895-06035	BOLT, FLANGE BOULON, A COLLERETTE	1				
14	6L5-15758-00-98	GUIDE, ROPE GUIDE DE CABLE	1				
15	95895-06016	BOLT, FLANGE BOULON, A COLLERETTE	2				
16	6L5-15761-00	SEAL, RUBBER 1 JOINT CAOUTCHOUC 1	1				
17	6L5-42677-10	GRAPHIC, FRONT ADHESIF, AVANT	1				
18	6L5-15755-00	HANDLE, STARTER POIGNEE, DE DEMARREUR	1				
19	6L5-15779-20	COVER COUVERCLE	1				
20	6L5-15789-00	DAMPER AMORTISSEUR	1				
21	6H8-42791-10	MARK 1 ETIQUETTE 1	1				
22	6A1-83625-41	MARK 5 ETIQUETTE 5	1				
23	6A1-83625-51	MARK 5 ETIQUETTE 5	1				

\* CUT FROM 50M ROLLS, PART NO. 90790-77002,  
CUTTING LENGTH 1.65M

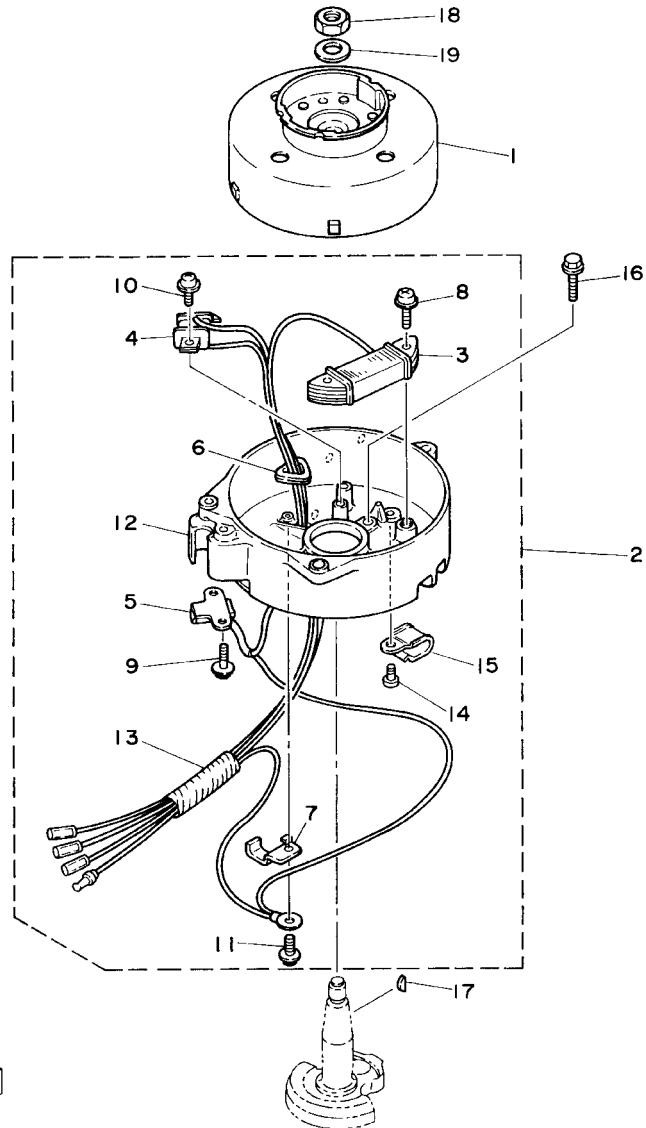
\* A PRELEVER SUR BOBINE 50M , REFERENCE 90790-77002,  
LONGUEUR DE COUPE 1.65M



6L51100-2040

FIG. 5 GENERATOR

GENERATRICE



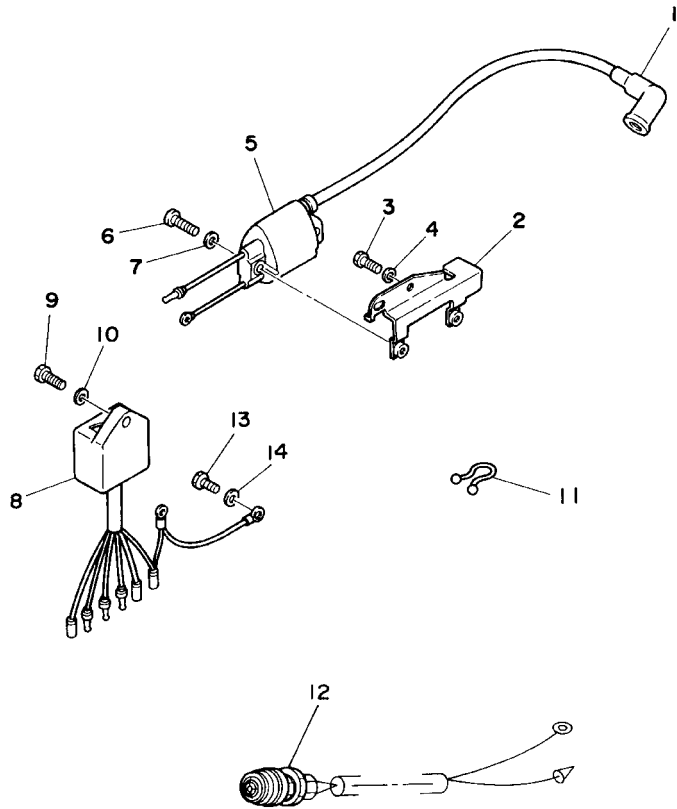
REF. NO.	PART NO. NO. PIECES	DESCRIPTION DESCRIPTION	3A				REMARKS REMARQUES
1	6L5-85550-M0	ROTOR ASSY ROTOR CPLT	1				
2	6L5-85560-M1	BASE ASSY ENS. FLASQUE	1				
3	6E0-85520-70	.COIL, CHARGE .BOBINE, CHARGE	1				
4	6L5-85595-M0	.COIL, PULSER .BOBINE, PULSEUR	1				
5	6L5-85592-M0	.PULSER COIL ASSY .PULSATION BOBINE (ENS.)	1				
6	6E0-81336-70	.GROMMET .OEILLET CAOUTCHOUC	1				
7	6E0-81328-70	.CLAMP .COLLIER	1				
8	90159-05038	.SCREW, WITH WASHER .VIS, AVEC RONDELLE	2				
9	90159-05037	.SCREW, WITH WASHER .VIS, AVEC RONDELLE	2				
10	90159-04036	.SCREW, WITH WASHER .VIS, AVEC RONDELLE	2				
11	90159-04035	.SCREW, WITH WASHER .VIS, AVEC RONDELLE	1				
12	6L5-15771-01-94	.STAY 1 .SUPPORT 1	1				
13	90446-10M01	.HOSE .DURITE	1				
14	97803-05008	.SCREW, PAN HEAD .VIS, TETE TRONCONIQUE	1				
15	90465-10M34	.CLAMP .BRIDE	1				
16	95895-06016	BOLT, FLANGE BOULON, A COLLERETTE	2				
17	90280-04M06	KEY, WOODRUFF CLAVETTE, DEMI-LUNE	1				
18	90170-10113	NUT ECROU	1				
19	90201-10126	WASHER, PLATE RONDELLE, PLATE	1				



6L51100-4050

FIG. 6 ELECTRICAL

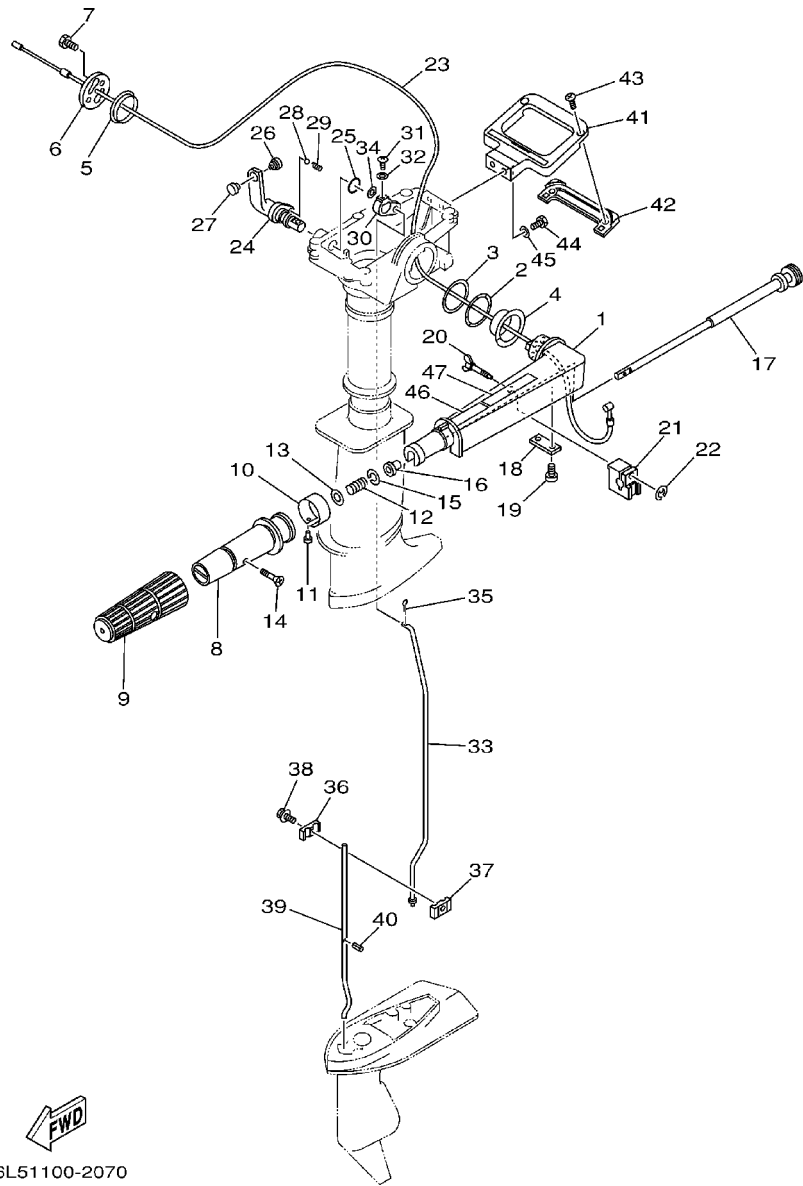
ELECTRIQUE



REF. NO.	PART NO. NO. PIECES	DESCRIPTION DESCRIPTION	3A				REMARKS REMARQUES
1	6G1-82370-21	PLUG CAP ASSY ANTIPARASITE	1				
2	6L5-82316-00	BRACKET, IGNITION COIL SUPPORT, BOBINE D'ALLUMAGE	1				
3	97095-06016	BOLT BOULON	2				
4	92995-06600	WASHER RONDELLE	2				
5	6L5-85570-N0	IGNITION COIL ASSY BOBINE D'ALLUMAGE (ENS.)	1				
6	97880-06016	SCREW, PAN HEAD VIS, TETE TRONCONIQUE	2				
7	92990-06600	WASHER, PLATE RONDELLE, PLATE	2				
8	6L5-85540-M0	C.D.I. UNIT ASSY BLOC C.D.I.	1				
9	97095-06016	BOLT BOULON	1				
10	92995-06600	WASHER RONDELLE	1				
11	90465-18147	CLAMP BRIDE	1				
12	6L5-82550-00	ENGINE STOP SWITCH ASSY COMMUNTEUR D'ARRET CPLT	1				
13	97090-06012	BOLT BOULON	1				
14	92990-06600	WASHER, PLATE RONDELLE, PLATE	1				



6L51100-4060

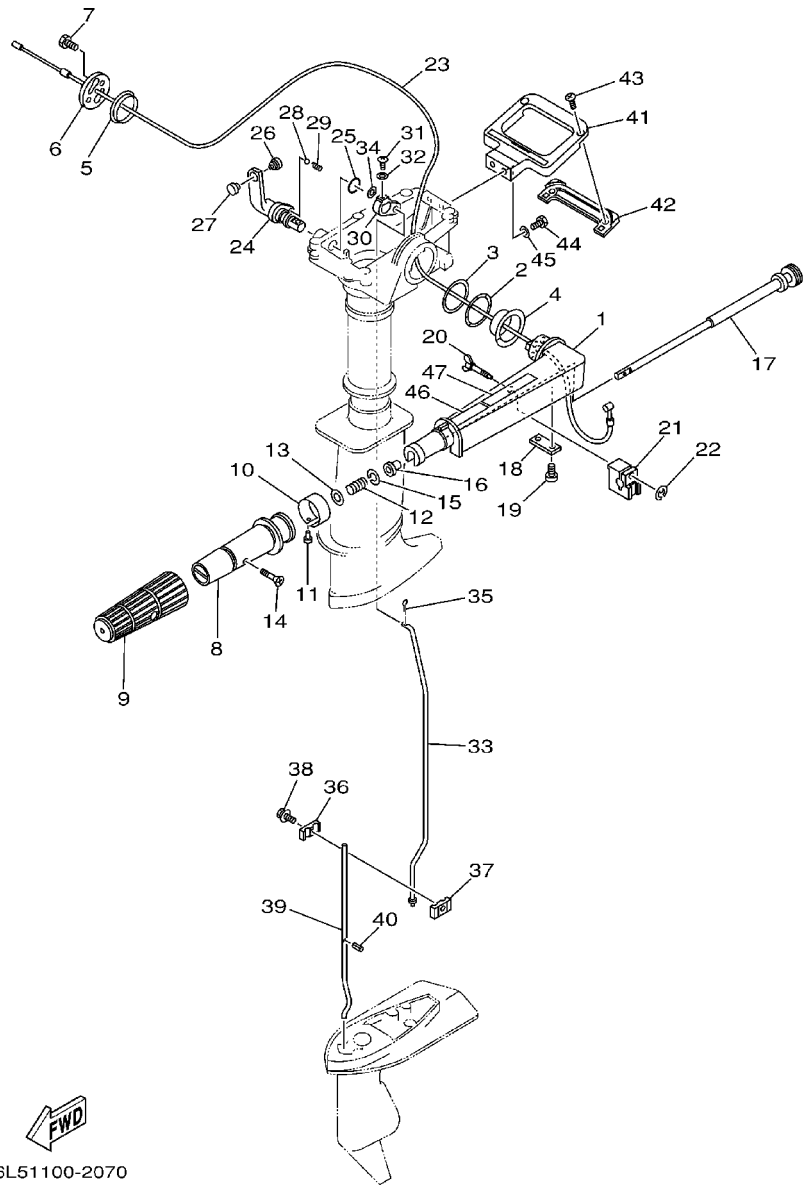


6L51100-2070

FIG. 7 CONTROL

COMMANDE

REF. NO.	PART NO. NO. PIECES	DESCRIPTION DESCRIPTION	3A				REMARKS REMARQUES
1	6G1-42111-11-4D	HANDLE, STEERING POIGNEE	1				
2	90206-36M21	WASHER, WAVE RONDELLE, ONDULEE	1				
3	90202-36M55	WASHER, PLATE RONDELLE, PLATE	1				
4	90386-34M97	BUSH DOUILLE	1				
5	90386-33M96	BUSH DOUILLE	1				
6	6G1-42131-01	COVER, HANDLE STEERING COUVERCLE	1				
7	97095-06020	BOLT BOULON	1				
8	664-42119-00	GRIP, STEERING HANDLE POIGNEE, BARRE FRANCHE	1				
9	6G1-42177-00	RUBBER, HANDLE CAOUTCHOUC, POIGNEE	1				
10	6L5-42137-20	INDICATOR, THROTTLE INDICATEUR, ACCELERATION	1				
11	90269-02M09	RIVET RIVET	1				
12	90501-23215	SPRING, COMPRESSION RESSORT, COMPRESSION	1				
13	92903-10600	WASHER, PLATE RONDELLE, PLATE	1				
14	90149-05M13	SCREW VIS	1				
15	90209-08M17	WASHER RONDELLE	1				
16	90386-08032	BUSH DOUILLE	1				
17	6G1-42138-01	LEVER, THROTTLE LEVIER, ACCELERATEUR	1				
18	6E0-42159-02	STAY SUPPORT	1				
19	97885-05012	SCREW, PAN HEAD VIS, TETE TRONCONIQUE	2				
20	6L5-42125-00	BOLT, FRICTION ADJUSTING BOULON	1				
21	6G1-42126-00	FRICTION, STEERING HANDLE GRIP CUVETTE, POIGNEE DE DIRECTION	1				
22	99080-03600	CIRCLIP CIRCLIP	1				
23	6L5-26301-01	THROTTLE CABLE ASSY CABLE D'ACCELERATEUR	1				
24	6L5-44111-00	HANDLE, GEAR SHIFT POIGNEE, LEVIER D'EMBRAYAGE	1				
25	93210-12327	O-RING JOINT TORIQUE	1				
26	6L5-44196-20	INDICATOR 3 INDICATEUR 3	1				
27	6L5-44197-20	INDICATOR 4 INDICATEUR 4	1				



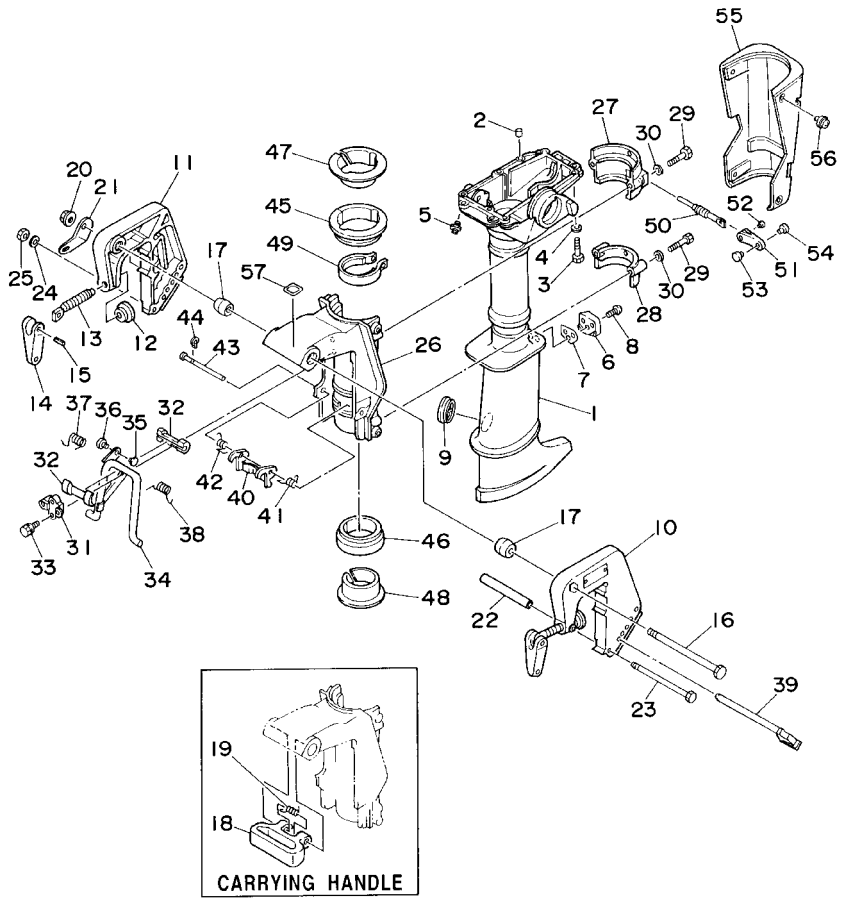
6L51100-2070

FIG. 7 CONTROL

COMMANDE

REF. NO.	PART NO. NO. PIECES	DESCRIPTION DESCRIPTION	3A				REMARKS REMARQUES
28	93505-16024	BALL BILLE	1				
29	90501-12274	SPRING, COMPRESSION RESSORT, COMPRESSION	1				
30	6L5-44121-00	LEVER, SHIFT ROD LEVIER, TIGE D'INVERSION	1				
31	97780-40520	SCREW, TAPPING VIS, TETE FRAISEE	1				
32	92990-04600	WASHER, PLATE RONDELLE, PLATE	1				
33	6L5-44143-00	ROD, SHIFT TIGE D'EMBAYAGE	1				
34	92990-05600	WASHER, PLATE RONDELLE, PLATE	1				
35	91490-16010	PIN, COTTER GOUPILLE, FENDUE	1				
36	6E0-44145-00	CONNECTOR, SHIFT ROD CONNECTEUR, TIGE D'INVERSION	1				
37	6E0-44146-00	CONNECTOR, SHIFT ROD CONNECTEUR, TIGE D'INVERSION	1				
38	95895-06020	BOLT, FLANGE BOULON, A COLLERETTE	1				
39	6L5-44144-00	ROD, SHIFT TIGE D'EMBAYAGE	1				S
	6L5-44144-10	ROD, SHIFT TIGE D'EMBAYAGE	1				L
40	91609-25014	PIN, SPRING GOUPILLE, ELASTIQUE	1				
41	6L5-42731-00-4D	CARRYING HANDLE POIGNEE DE PORTAGE	1				
42	6L5-42735-20	PROTECTOR PROTECTEUR	1				
43	90161-04M02	SCREW, TAPPING VIS, TETE FRAISEE	2				
44	97095-06020	BOLT BOULON	2				
45	92995-06600	WASHER RONDELLE	2				
46	6A1-2415A-41	LABEL, CAUTION ETIQUETTE, RECOMMANDATION	1				
47	6A1-2415A-51	LABEL, CAUTION ETIQUETTE, RECOMMANDATION	1				

**FIG. 8 UPPER CASING . BRACKET FOURREAU, SUPPORT**

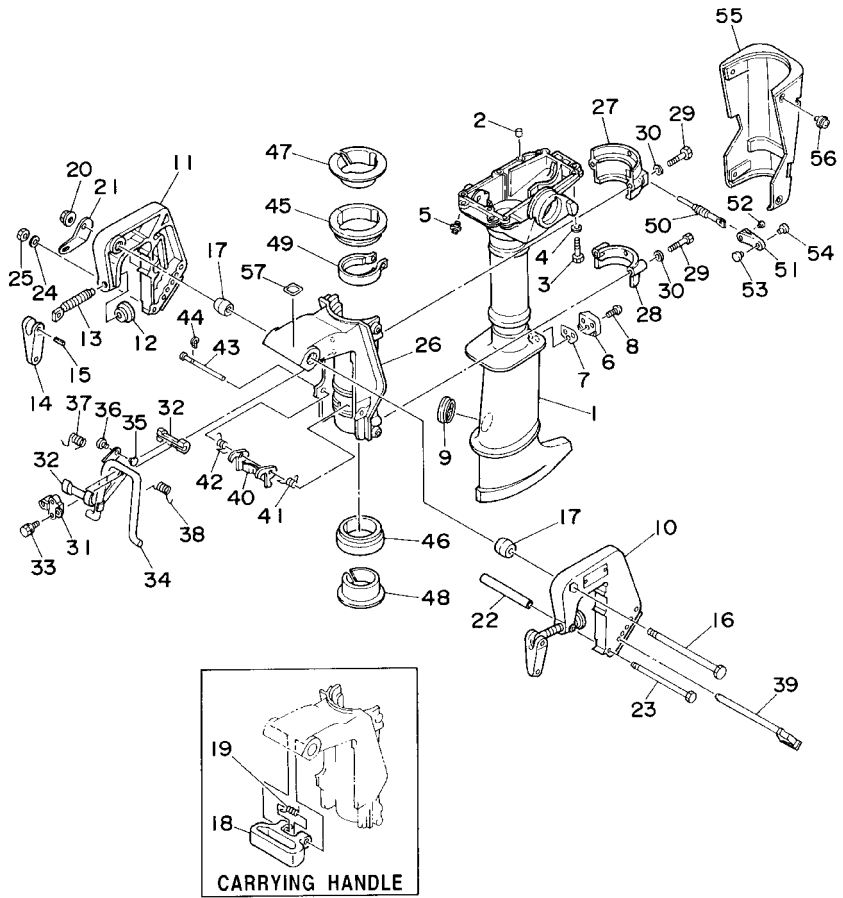


REF. NO.	PART NO. NO. PIECES	DESCRIPTION DESCRIPTION	3A				REMARKS REMARQUES
1	6L5-45111-02-4D	CASING, UPPER FOURREAU	1				
2	93604-12M07	PIN, DOWEL GOUJON	2				
3	97095-06030	BOLT BOULON	6				
4	92995-06600	WASHER RONDELLE	6				
5	93700-06M03	NIPPLE, GREASE GRAISSEUR	1				
6	6L5-45152-00	COVER, UPPER CASING 2 CAPUCHON FOURREAU	1				
7	6L5-45115-A0	GASKET, UPPER CASING JOINT, TUBE D'ARBRE	1				
8	90149-05M08	SCREW VIS	1				
9	647-45151-01	COVER, UPPER CASING CAPUCHON, FOURREAU	1				
10	6L5-43111-01-4D	BRACKET, CLAMP PRESSE	1				
11	6L5-43112-00-4D	BRACKET, CLAMP PRESSE	1				
12	620-43114-00	PAD, TRANSOM CLAMP RONDELLE D'APPUI	2				
13	6E0-43116-01	SCREW, TRANSOM CLAMP VIS DE PRESSE	2				
14	6E0-43118-01	HANDLE, TRANSOM CLAMP POIGNEE DE VIS DE PRESSE	2				
15	90243-04M01	PIN GOUPILLE	2				
16	90101-08M10	BOLT BOULON	1				
17	6G1-43136-00	PIECE, FRICTION FRICTION	2				
18	6L5-42121-00	BRACKET SUPPORT	1				
19	90508-16M30	SPRING, TORSION RESSORT, TORSION	1				
20	90185-08057	NUT, SELF-LOCKING ECROU, AUTO-BLOCANT	1				
21	6A1-43113-01	PLATE, CLAMP BRACKET PLAQUETTE, PRESSE	1				
22	90387-06M11	COLLAR COLLERETTE	1				
23	90101-06335	BOLT BOULON	1				
24	92990-06600	WASHER, PLATE RONDELLE, PLATE	1				
25	95380-06600	NUT, HEXAGON ECROU	1				
26	6L5-43311-01-4D	BRACKET, SWIVEL 1 SUPPORT, PIVOT 1	1				
27	6L5-44511-00-4D	COVER, UPPER MOUNT COUVERCLE, SUSPENSION SUPERIEUR	1				

  
6L51110-2080

**C1**

FIG. 8 UPPER CASING . BRACKET FOURREAU, SUPPORT



REF. NO.	PART NO. NO. PIECES	DESCRIPTION DESCRIPTION	3A				REMARKS REMARQUES
28	6L5-44553-00-4D	COVER, LOWER MOUNT COUVERCLE, SUSPENSION INFERIEU	1				
29	97095-06035	BOLT BOULON	4				
30	92995-06600	WASHER RONDELLE	4				
31	6E0-43313-00-4D	BRACKET, SWIVEL 3 SUPPORT, PIVOT 3	1				
32	620-43189-00	BUSHING COUSSINET	2				
33	95895-06020	BOLT, FLANGE BOULON, A COLLERETTE	2				
34	6L5-43181-00	LEVER, TILT STOP LEVIER, VERROUILLAGE RELEVAGE	1				
35	6L5-44196-20	INDICATOR 3 INDICATEUR 3	1				
36	6L5-44197-20	INDICATOR 4 INDICATEUR 4	1				
37	90508-16020	SPRING, TORSION RESSORT, TORSION	1				
38	90508-16021	SPRING, TORSION RESSORT, TORSION	1				
39	6L5-43160-00	TILT ROD ASSY BROCHE D'INCLINAISON (ENS.)	1				
40	6L5-43614-00	PLATE, TILT LOCK ETRIER, VERROUILLAGE MARCHE AR	1				
41	90508-08M26	SPRING, TORSION RESSORT, TORSION	1				
42	90508-08M27	SPRING, TORSION RESSORT, TORSION	1				
43	6L5-43659-00	SHAFT, REVERSE LOCK AXE, VERROUILLAGE MARCHE AR	1				
44	99080-05600	CIRCLIP CIRCLIP	1				
45	6L5-42537-00	BUSHING, PIVOT SHAFT COUSSINET	1				
46	6L5-42538-00	BUSHING, PIVOT SHAFT COUSSINET	1				
47	6L5-42539-00	BUSHING, PIVOT SHAFT COUSSINET	1				
48	6L5-42549-00	BUSHING, PIVOT SHAFT COUSSINET	1				
49	6E0-42528-03	PLATE, FRICTION PLAQUE, FRICTION	1				
50	6L5-42529-01	SCREW, FRICTION PIECE VIS, PIECE DE FRICTION	1				
51	6L5-42561-00	KNOB, STEERING LOCK BOUTON	1				
52	90266-04M05	RIVET RIVET	1				
53	6L5-44196-20	INDICATOR 3 INDICATEUR 3	1				
54	6L5-44197-20	INDICATOR 4 INDICATEUR 4	1				

FWD  
6L51110-2080



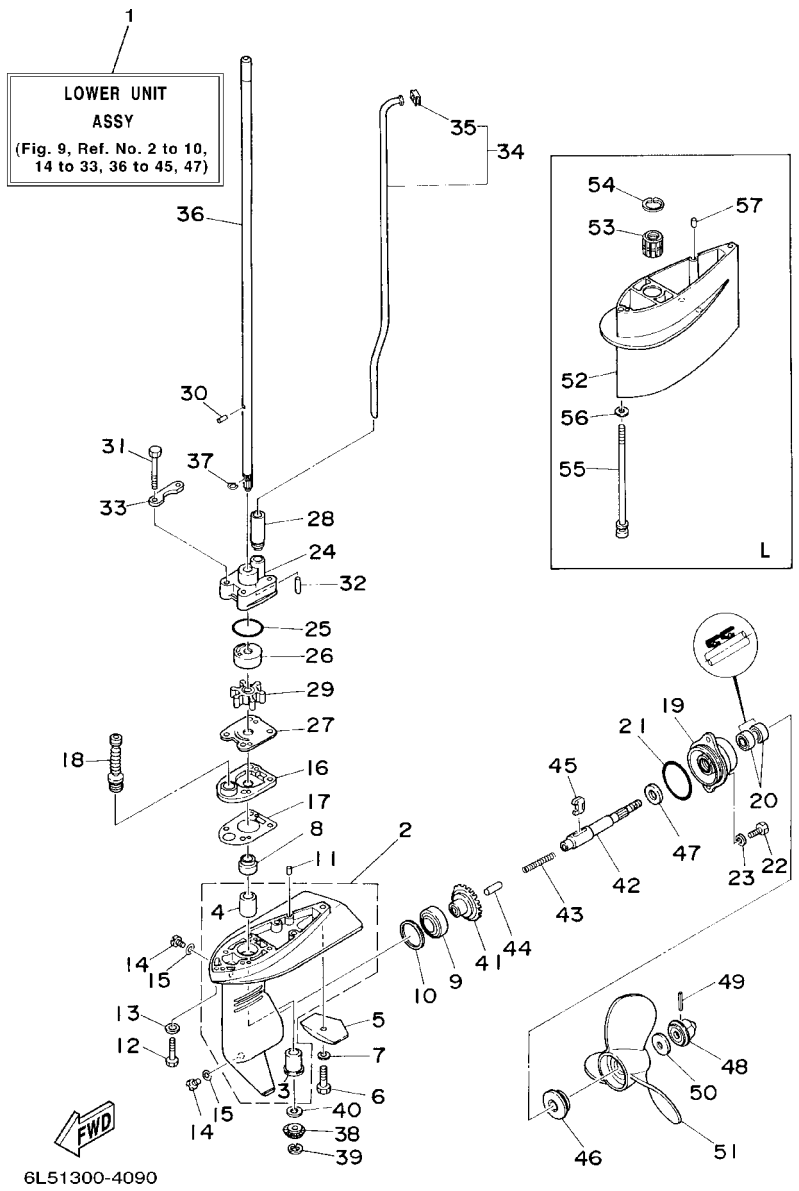
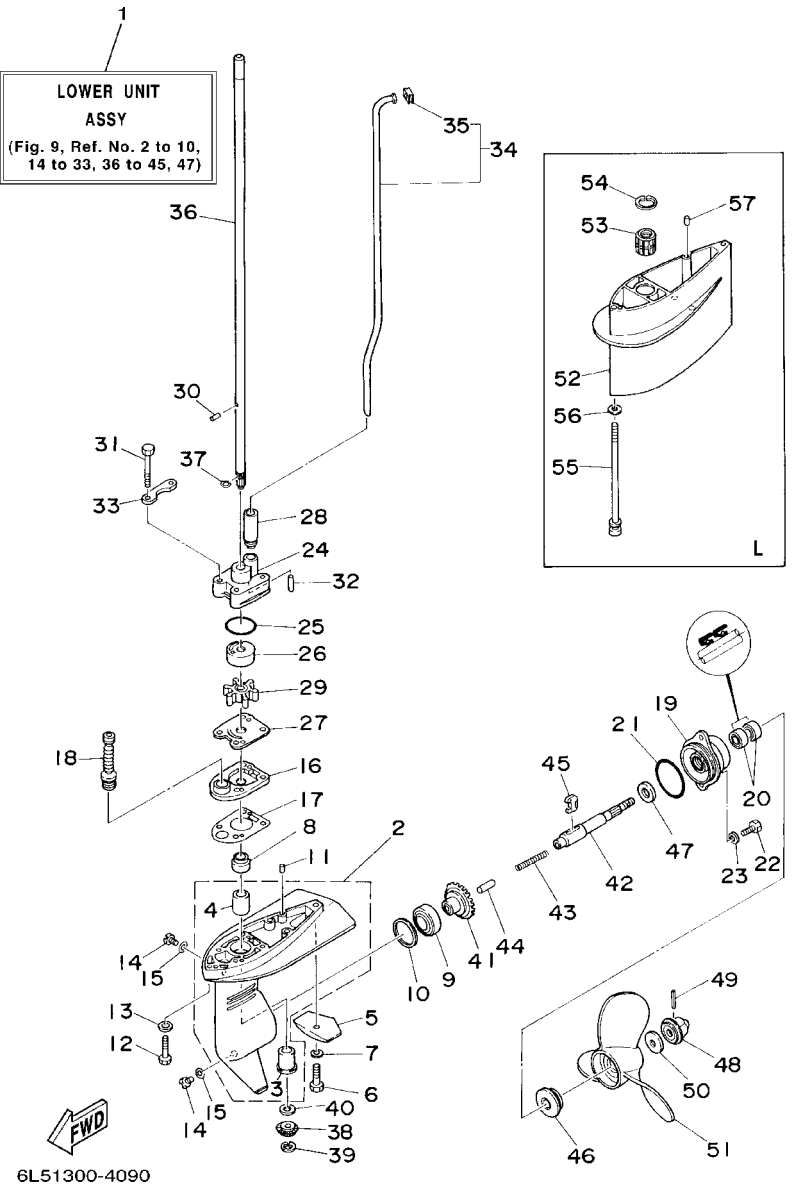


FIG. 9 LOWER CASING. DRIVE

BOITIER D'HELICE, TRANSMISSION

REF. NO.	PART NO. NO. PIECES	DESCRIPTION DESCRIPTION	3A				REMARKS REMARQUES
1	6L5-45300-01-4D	LOWER UNIT ASSY	1				S
	6L5-45300-11-4D	LOWER UNIT ASSY	1				L
2	6L5-45311-00-4D	CASING, LOWER	1				
		BOITIER D'HELICE					
3	6L5-45317-09	.BUSHING, DRIVE SHAFT	1				
		.DOUILLE, ARBRE MOTEUR					
4	6L5-45316-09	.BUSHING, DRIVE SHAFT	1				
		.DOUILLE, ARBRE MOTEUR					
5	6L5-45251-03	ANODE	1				
		ANODE					
6	95895-06030	BOLT, FLANGE	1				S
		BOULON, A COLLERETTE					
	90101-06M18	BOLT	1				L
		BOULON					
7	92990-06300	WASHER, INTERNAL TOOTH	1				
		RONDELLE, DENTURE INTERNE					
8	93103-09M41	OIL SEAL	1				
		JOINT SPY					
9	93316-003U0	BEARING	1				
		ROULEMENT					
10	6L5-45567-00	SHIM	1				UN
		CALE					
11	93604-12M07	PIN, DOWEL	2				
		GOUJON					
12	97095-06030	BOLT	3				
		BOULON					
13	92995-06600	WASHER	3				
		RONDELLE					
14	90340-08002	PLUG, STRAIGHT SCREW	2				
		PLOT, FILETE DROIT					
15	90430-08020	GASKET	2				
		JOINT					
16	6L5-45321-00-5B	PLATE	1				
		PLAQUETTE					
17	6L5-45315-A0	PACKING, LOWER CASING	1				
		JOINT, BOITIER D'HELICE					
18	6L2-44147-00	BOOT, SHIFT ROD	1				
		SOUFFLET, TIGE D'INVERSION					
19	6L5-45361-00-4D	CAP, LOWER CASING	1				
		COUVERCLE, BOITIER D'HELICE					
20	93101-13M12	OIL SEAL	2				
		JOINT SPY					
21	93210-48214	O-RING	1				
		JOINT TORIQUE					
22	97095-06016	BOLT	2				
		BOULON					
23	92995-06600	WASHER	2				
		RONDELLE					
24	6L5-44311-00	HOUSING, WATER PUMP	1				
		CORPS, POMPE A EAU					
25	93210-33M85	O-RING	1				
		JOINT TORIQUE					



6L51300-4090

FIG. 9 LOWER CASING. DRIVE BOITIER D'HELICE, TRANSMISSION

REF. NO.	PART NO. NO. PIECES	DESCRIPTION DESCRIPTION	3A			REMARKS REMARQUES
26	6L5-44322-00	INSERT, CARTRIDGE CUVETTE	1			
27	6L5-44323-00	OUTER PLATE, CARTRIDGE PLAQUE EXTERIEURE	1			
28	6E0-44366-00	DAMPER, WATER SEAL JOINT, TUBE D'EAU	1			
29	6L5-44352-00	IMPELLER TURBINE	1			
30	93604-07M13	PIN, DOWEL GOUJON	1			
31	97095-06040	BOLT BOULON	4			
32	93604-18080	PIN, DOWEL GOUJON	2			
33	6L5-44328-00	PLATE PLAQUETTE	2			
34	6L5-44360-01	WATER TUBE ASSY TUYAU,EAU	1			S
	6L5-44360-11	WATER TUBE ASSY TUYAU,EAU	1			L
35	646-44365-00	DAMPER, WATER SEAL JOINT, TUBE D'EAU	1			
36	6L5-45511-00	SHAFT, DRIVE ARBRE, MOTEUR	1			S
	6L5-45511-10	SHAFT, DRIVE ARBRE, MOTEUR	1			L
37	90467-07M12	CLIP JONC	1			
38	6L5-45551-00	PINION PIGNON D'ATTAQUE	1			
39	99001-06600	CIRCLIP CIRCLIP	1			
40	6L5-45533-00-20	SHIM (T:2.0MM) CALE (T:2.0MM)	1			UR
	6L5-45533-00-21	SHIM (T:2.1MM) CALE (T:2.1MM)	1			UR
	6L5-45533-00-22	SHIM (T:2.2MM) CALE (T:2.2MM)	1			UR
	6L5-45533-00-23	SHIM (T:2.3MM) CALE (T:2.3MM)	1			UR
41	6L5-45560-00	GEAR PIGNON	1			
42	6L5-45611-00	SHAFT, PROPELLER ARBRE, HELICE	1			
43	90501-10064	SPRING, COMPRESSION RESSORT, COMPRESSION	1			
44	6L5-45635-00	PLUNGER, SHIFT POUSSOIR D'EMBRYAGE	1			
45	6L5-45631-00	CLUTCH, DOG CRABOT	1			
46	6L5-45987-01	SPACER ENTRETOISE	1			
47	90201-13198	WASHER, PLATE RONDELLE, PLATE	1			

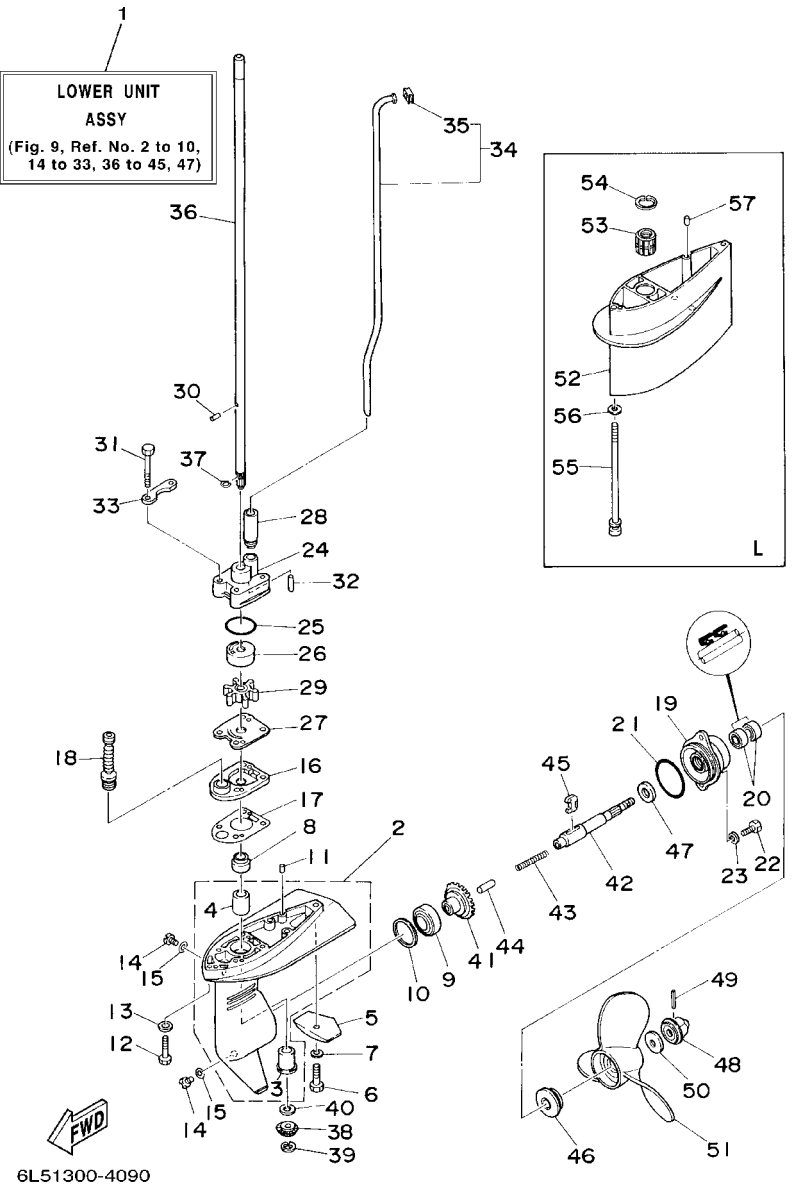
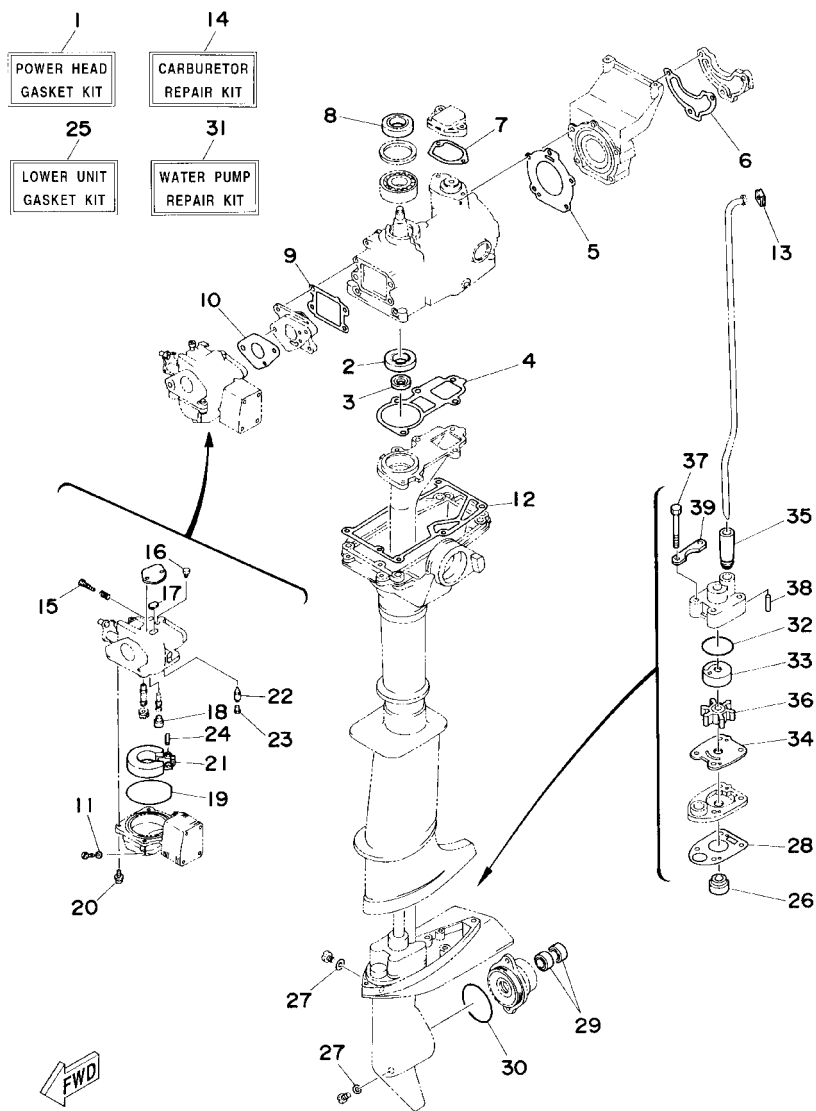


FIG. 9 LOWER CASING. DRIVE BOITIER D'HELICE, TRANSMISSION

REF. NO.	PART NO. NO. PIECES	DESCRIPTION DESCRIPTION	3A		REMARKS REMARQUES
48	6L5-45616-00	NUT, PROPELLER CONE, HELICE	1		
49	91490-25030	PIN, COTTER GOUPILLE, FENDUE	1		
50	90201-08M54	WASHER, PLATE RONDELLE, PLATE	1		
51	6L5-45943-00-EL	PROPELLER (3X7-1/4"X6"-BS) HELICE (3X7-1/4"X6"-BS)	1		UR
	6L5-45945-00-EL	PROPELLER (3X7-1/4"X7-1/4"-BS) HELICE (3X7-1/4"X7-1/4"-BS)	1		UR
	6L5-45947-00-EL	PROPELLER (3X7-1/4"X8-1/4"-BS) HELICE (3X7-1/4"X8-1/4"-BS)	1		UR
	6L5-45949-00-EL	PROPELLER (3X7-1/4"X5"-BS) HELICE (3X7-1/4"X5"-BS)	1		UR
	6L5-45952-00-EL	PROPELLER (3X7-1/4"X5-1/2"-BS) HELICE (3X7-1/4"X5-1/2"-BS)	1		UR
52	6L5-45211-00-4D	EXTENSION EXTENSION	1		L
53	6L5-45318-00	BUSHING, DRIVE SHAFT DOUILLE, ARBRE MOTEUR	1		L
54	93420-22M03	CIRCLIP CIRCLIP, TYPE S	1		L
55	90101-06M18	BOLT BOULON	3		L
56	92990-06600	WASHER, PLATE RONDELLE, PLATE	3		L
57	93604-12M07	PIN, DOWEL GOUJON	2		L



6L50010-4100

FIG. 10 REPAIR KIT

KITS DE REPARATION

REF. NO.	PART NO. NO. PIECES	DESCRIPTION DESCRIPTION	3A	REMARKS REMARQUES
1	6L5-W0001-A1	POWER HEAD GASKET KIT POCHETTE DE JOINTS	1	
2	93101-20M29	.OIL SEAL .JOINT SPY	1	
3	93101-09M42	.OIL SEAL .JOINT SPY	1	
4	6L5-15369-A0	.GASKET, OIL SEAL HOUSING .JOINT SPY DE LOGEMENT	1	
5	6L5-11181-A2	.GASKET, CYLINDER HEAD 1 .JOINT, DE CULASSE 1	1	
6	6L5-11193-A1	.GASKET, HEAD COVER 1 .JOINT, COUVERCLE DE CULASSE 1	1	
7	6L5-12414-A1	.GASKET, COVER .JOINT, COUVERCLE	1	
8	93102-20M06	.OIL SEAL .JOINT SPY	1	
9	6L5-13621-A2	.GASKET, VALVE SEAT .JOINT, SIEGE DE CLAPET	1	
10	6L5-14198-A1	.GASKET .JOINT	1	
11	6G1-14398-00	.WASHER .RONDELLE	1	
12	6L5-45113-A1	.GASKET, UPPER CASING .JOINT, TUBE D'ARBRE	1	
13	646-44365-00	.DAMPER, WATER SEAL .JOINT, TUBE D'EAU	1	
14	6G1-W0093-00	CARBURETOR REPAIR KIT KIT DE REPARATION CARBURATEUR	1	
15	679-14923-00	.SCREW, PILOT .VIS, RALENTI	1	
16	6G1-14966-00	.CAP .CAPUCHON	1	
17	6G1-14126-00	.GASKET .JOINT	1	
18	676-14966-00	.CAP .CAPUCHON	1	
19	6G1-14984-00	.O-RING .JOINT TORIQUE	1	
20	97980-04114	.SCREW, WITH WASHER .VIS, AVEC RONDELLE	4	
21	6G1-14985-00	.FLOAT .FLOTTEUR	1	
22	6G1-14546-00	.VALVE, NEEDLE .POINTEAU	1	
23	676-14186-00	.PIN, FLOAT .AXE, FLOTTEUR	1	
24	688-14548-00	.PIN, FLOAT ARM .AXE, BRAS DE FLOTTEUR	1	
25	6L5-W0001-21	LOWER UNIT GASKET KIT POCHETTE DE JOINTS EMBASE	1	
26	93103-09M41	.OIL SEAL .JOINT SPY	1	
27	90430-08020	.GASKET .JOINT	2	



NUMERICAL INDEX  
INDEX NUMERIQUE

PART NO. NO. PIECES	REF. NO.	PART NO. NO. PIECES	REF. NO.	PART NO. NO. PIECES	REF. NO.	PART NO. NO. PIECES	REF. NO.	PART NO. NO. PIECES	REF. NO.	PART NO. NO. PIECES	REF. NO.
6L5-W0001-A1	10 - 1	6G1-14546-00	3 - 25	6G1-24432-00	3 - 34	6A1-43113-01	8 - 21	6L5-45113-A1	2 - 42	6L5-85570-N0	6 - 5
6L5-W0001-21	10 - 25		10 - 22	6G1-24452-00	3 - 33	620-43114-00	8 - 12		10 - 12	6L5-85592-M0	5 - 5
6L5-W0004-02	3 - 2	688-14548-00	3 - 29	6G1-24471-00	3 - 35	6E0-43116-01	8 - 13	6L5-45115-A0	8 - 7	6L5-85595-M0	5 - 4
6L5-W0070-13	1 - 2		10 - 24	6L5-24500-60	1 - 24	6E0-43118-01	8 - 14	647-45151-01	8 - 9	90101-06M18	9 - 6
6L5-W0078-00	10 - 31	679-14555-00	3 - 7	6L5-24591-00	1 - 15	6G1-43136-00	8 - 17	6L5-45152-00	8 - 6		9 - 55
6L5-W0090-01-1S	2 - 1	679-14923-00	3 - 6	6L5-24610-20	1 - 19	6L5-43160-00	8 - 39	6L5-45211-00-4D	9 - 52	90101-06335	8 - 23
6G1-W0093-00	10 - 14		10 - 15	6L5-24641-00	1 - 23	6L5-43181-00	8 - 34	6L5-45251-03	9 - 5	90101-08M10	8 - 16
656-W2810-02	1 - 34	676-14943-14	3 - 20	6L5-26301-01	7 - 23	620-43189-00	8 - 32	6L5-45300-01-4D	9 - 1	90105-06M16	2 - 8
6L5-11111-00-1S	2 - 16	6L5-14947-01	3 - 19	6A1-28176-00	1 - 33	6L5-43311-01-4D	8 - 26	6L5-45300-11-4D	9 - 1	90105-06M40	2 - 9
6L5-11181-A2	2 - 17	6L5-14948-03	3 - 11	6L5-41252-00	3 - 45	6E0-43313-00-4D	8 - 31	6L5-45311-00-4D	9 - 2	90119-06MA2	2 - 21
	10 - 5	6G1-14966-00	3 - 8	6L5-41271-20	3 - 44	6L5-43318-11	8 - 55	6L5-45315-A0	9 - 17		2 - 26
6L5-11191-00-1S	2 - 19		10 - 16	689-41273-00	3 - 47	6L5-43614-00	8 - 40		10 - 28	90119-06M65	1 - 22
6L5-11193-A1	2 - 20	676-14966-00	3 - 12	6J8-41274-00	3 - 48	6L5-43659-00	8 - 43	6L5-45316-09	9 - 4	90119-06027	2 - 22
	10 - 6		10 - 18	6G1-42111-11-4D	7 - 1	6L5-44111-00	7 - 24	6L5-45317-09	9 - 3	90119-06047	2 - 18
6E5-11372-00	2 - 4	6G1-14980-01	3 - 18	664-42119-00	7 - 8	6L5-44121-00	7 - 30	6L5-45318-00	9 - 53	90149-05M08	8 - 8
6L5-11400-00	2 - 27	6G1-14984-00	3 - 17	6L5-42121-00	8 - 18	6L5-44143-00	7 - 33	6L5-45321-00-5B	9 - 16	90149-05M13	7 - 14
6L5-11412-00	2 - 28		10 - 19	6L5-42125-00	7 - 20	6L5-44144-00	7 - 39	6L5-45361-00-4D	9 - 19	90159-04035	5 - 11
6L5-11422-00	2 - 29	6G1-14985-00	3 - 24	6G1-42126-00	7 - 21	6L5-44144-10	7 - 39	6L5-45511-00	9 - 36	90159-04036	5 - 10
6L5-11610-00	2 - 38		10 - 21	6G1-42131-01	7 - 6	6E0-44145-00	7 - 36	6L5-45511-10	9 - 36	90159-05037	5 - 9
6L5-11610-10	2 - 38	6G1-14992-00	3 - 23	6L5-42137-20	7 - 10	6E0-44146-00	7 - 37	6L5-45533-00-20	9 - 40	90159-05038	5 - 8
6L5-11610-20	2 - 38	6L5-15100-00-1S	2 - 2	6G1-42138-01	7 - 17	6L2-44147-00	9 - 18	6L5-45533-00-21	9 - 40	90159-06M10	1 - 25
6L5-11631-00-96	2 - 37	6L5-15369-A0	2 - 13	6E0-42159-02	7 - 18	6L5-44191-00	1 - 14	6L5-45533-00-22	9 - 40		8 - 56
6L5-11633-00	2 - 40		10 - 4	6G1-42177-00	7 - 9	6L5-44196-20	1 - 26	6L5-45533-00-23	9 - 40	90161-04M02	7 - 43
6L5-11635-00	2 - 37	6L5-15396-00-94	2 - 10	6E0-42528-03	8 - 49		7 - 26	6L5-45551-00	9 - 38	90167-03M02	1 - 13
6L5-11636-00	2 - 37	6A1-15705-00	4 - 8	6L5-42529-01	8 - 50		8 - 35	6L5-45560-00	9 - 41	90170-10113	5 - 18
6L5-11651-00	2 - 30	6L5-15710-00	4 - 1	6L5-42537-00	8 - 45		8 - 53	6L5-45567-00	9 - 10	90185-08057	8 - 20
6L5-11681-00	2 - 31	6L5-15711-00	4 - 2	6L5-42538-00	8 - 46	6L5-44197-20	1 - 27	6L5-45611-00	9 - 42	90201-08M54	9 - 50
6E5-12411-01	2 - 23	6L5-15713-00	4 - 6	6L5-42539-00	8 - 47		7 - 27	6L5-45616-00	9 - 48	90201-10126	5 - 19
6L5-12413-00-1S	2 - 24	6L5-15714-00	4 - 4	624-42542-00	1 - 21		8 - 36	6L5-45631-00	9 - 45	90201-13198	9 - 47
6L5-12414-A1	2 - 25	6L5-15716-00	4 - 7	6L5-42549-00	8 - 48		8 - 54	6L5-45635-00	9 - 44	90201-32M00	2 - 35
	10 - 7	6L5-15741-00	4 - 5	6L5-42561-00	8 - 51	6L5-44311-00	9 - 24	6L5-45943-00-EL	9 - 51	90201-32M01	2 - 36
6L5-13610-02	3 - 1	6L5-15755-00	4 - 18	6L5-42610-54-4D	1 - 1	6L5-44322-00	9 - 26	6L5-45945-00-EL	9 - 51	90202-36M55	7 - 3
6L5-13621-A2	3 - 3	6L5-15758-00-98	4 - 14	6L5-42647-00	1 - 11		10 - 33	6L5-45947-00-EL	9 - 51	90206-36M21	7 - 2
	10 - 9	6L5-15761-00	4 - 16	6L5-42662-00	1 - 16	6L5-44323-00	9 - 27	6L5-45949-00-EL	9 - 51	90209-08M17	7 - 15
6G1-14126-00	3 - 10	6A1-15767-00	4 - 10	6L5-42663-00	1 - 17		10 - 34	6L5-45952-00-EL	9 - 51	90243-04M01	8 - 15
	10 - 17	6L5-15771-01-94	5 - 12	6L5-42677-10	4 - 17	6L5-44328-00	9 - 33	6L5-45987-01	9 - 46	90266-04M05	8 - 52
663-14159-00	3 - 27	6L5-15779-20	4 - 19	6L5-42678-51	1 - 3		10 - 39	6E0-81328-70	5 - 7	90269-02M09	7 - 11
676-14186-00	3 - 26	6L5-15789-00	4 - 20	6L5-42711-11	1 - 4	6L5-44352-00	9 - 29	6E0-81336-70	5 - 6	90280-04M06	5 - 17
	10 - 23	6L5-24111-02	1 - 18	6L5-42712-12	1 - 5		10 - 36	6L5-82316-00	6 - 2	90340-08002	9 - 14
6L5-14198-A1	3 - 40	6A1-2415A-41	7 - 46	6L5-42731-00-4D	7 - 41	6L5-44360-01	9 - 34	6A0-82317-00	1 - 20	90386-08032	7 - 16
	10 - 10	6A1-2415A-51	7 - 47	6L5-42735-20	7 - 42	6L5-44360-11	9 - 34	6G1-82370-21	6 - 1	90386-33M96	7 - 5
6L5-14301-03	3 - 5	6L5-24251-00	1 - 28	6L5-42774-00	1 - 6	646-44365-00	9 - 35	6L5-82550-00	6 - 12	90386-34M97	7 - 4
6G1-14398-00	3 - 22	6L5-24311-00	1 - 29	6L5-42775-00	1 - 7		10 - 13	6A1-83625-41	4 - 22	90387-06M11	8 - 22
	10 - 11	6L5-24312-00	1 - 31	6H8-42791-10	4 - 21	6E0-44366-00	9 - 28	6A1-83625-51	4 - 23	90387-06M70	4 - 3
6L5-14440-00	3 - 41	6G1-24411-00	3 - 37	6A1-42792-01	8 - 57		10 - 35	6E0-85520-70	5 - 3	90430-08020	9 - 15
624-14485-00	2 - 3	6G1-24412-01	3 - 36	6L5-42823-00	1 - 12	6L5-44511-00-4D	8 - 27	6L5-85540-M0	6 - 8		10 - 27
63V-14523-00	3 - 16	6L5-24421-00	3 - 39	6L5-43111-01-4D	8 - 10	6L5-44553-00-4D	8 - 28	6L5-85550-M0	5 - 1	90445-07M29	2 - 5
6G1-14527-00	3 - 9	6G1-24431-01	3 - 38	6L5-43112-00-4D	8 - 11	6L5-45111-02-4D	8 - 1	6L5-85560-M1	5 - 2	90446-10M01	5 - 13

NUMERICAL INDEX  
INDEX NUMERIQUE

PART NO. NO. PIECES	REF. NO.	PART NO. NO. PIECES	REF. NO.	PART NO. NO. PIECES	REF. NO.	PART NO. NO. PIECES	REF. NO.	PART NO. NO. PIECES	REF. NO.	PART NO. NO. PIECES	REF. NO.
90465-10M34	5 - 15	93210-33M85	9 - 25	97880-04010	3 - 13						
90465-13M11	1 - 32		10 - 32	97880-05010	1 - 8						
90465-18147	6 - 11	93210-48214	9 - 21	97880-06016	6 - 6						
90467-06016	2 - 6		10 - 30	97885-05012	7 - 19						
90467-07M12	9 - 37	93306-204U0	2 - 33	97980-04114	3 - 21						
90467-08004	1 - 30	93310-112U0	2 - 39		10 - 20						
90501-10064	9 - 43	93310-416N7	2 - 32	97980-04125	3 - 32						
90501-10326	3 - 15	93316-003U0	9 - 9	98580-03006	3 - 30						
90501-12274	7 - 29	93420-22M03	9 - 54	98580-04008	3 - 28						
90501-23215	7 - 12	93450-13022	2 - 41	99001-06600	9 - 39						
90508-08M26	8 - 41	93505-16024	7 - 28	99080-03600	7 - 22						
90508-08M27	8 - 42	93604-07M13	9 - 30	99080-05600	8 - 44						
90508-16M30	8 - 19	93604-12M07	8 - 2								
90508-16020	8 - 37		9 - 11								
90508-16021	8 - 38		9 - 57								
91490-16010	7 - 35	93604-18080	9 - 32								
91490-25030	9 - 49		10 - 38								
91609-25014	7 - 40	93606-12019	2 - 7								
91690-40048	3 - 46	93700-06M03	8 - 5								
92903-10600	7 - 13	94702-00274	2 - 43								
92990-04100	3 - 14	95380-03600	3 - 31								
92990-04600	7 - 32	95380-06600	8 - 25								
92990-05600	7 - 34	95895-06016	3 - 4								
92990-06300	9 - 7		4 - 15								
92990-06600	6 - 7		5 - 16								
	6 - 14	95895-06020	4 - 12								
	8 - 24		7 - 38								
	9 - 56		8 - 33								
92995-06600	1 - 10	95895-06030	9 - 6								
	2 - 15	95895-06035	4 - 13								
	6 - 4	95895-06095	3 - 43								
	6 - 10	97090-06012	6 - 13								
	7 - 45	97095-06016	1 - 9								
	8 - 4		6 - 3								
	8 - 30		6 - 9								
	9 - 13		9 - 22								
	9 - 23	97095-06020	2 - 14								
93101-09M42	2 - 12		7 - 7								
	10 - 3		7 - 44								
93101-13M12	9 - 20	97095-06030	8 - 3								
	10 - 29		9 - 12								
93101-20M29	2 - 11	97095-06035	8 - 29								
	10 - 2	97095-06040	9 - 31								
93102-20M06	2 - 34		10 - 37								
	10 - 8	97313-06012	4 - 9								
93103-09M41	9 - 8	97780-40520	7 - 31								
	10 - 26	97780-40716	3 - 42								
93210-12327	7 - 25	97803-05008	5 - 14								

3AMH  
PARTS CATALOGUE  
E2001 by Yamaha Motor Co., Ltd.  
1st Edition, Nov. 2001  
All rights reserved.  
Any reprinting or unauthorized use  
without the written permission of  
Yamaha Motor Co., Ltd.  
is expressly prohibited.

3AMH  
CATALOGUE DE PIECES DETACHEES  
E2001 Yamaha Motor Co., Ltd.  
1ère Edition, Nov. 2001  
Tous droits réservés.  
Toute réimpression ou utilisation  
sans la permission écrite de la  
Yamaha Motor Co., Ltd.  
est formellement interdite.