

# CONTENTS

# 30D(6J8)

Fig. 1	CYLINDER, CRANKCASE .....	A3
Fig. 2	CRANKSHAFT, PISTON .....	A4
Fig. 3	INTAKE .....	A5
Fig. 4	CARBURETOR .....	A6
Fig. 5	STARTER .....	A7
Fig. 6	FUEL .....	B1
Fig. 7	TOP COWLING .....	B2
Fig. 8	BOTTOM COWLING .....	B3
Fig. 9	BRACKET 1 .....	B4
Fig. 10	BRACKET 2 .....	B5
Fig. 11	STEERING .....	B6
Fig. 12	CONTROL .....	B7
Fig. 13	UPPER CASING .....	C1
Fig. 14	LOWER CASING, DRIVE 1 .....	C2
Fig. 15	LOWER CASING, DRIVE 2 .....	C3
Fig. 16	GENERATOR .....	C4
Fig. 17	ELECTRIC PARTS .....	C5
Fig. 18	TOP COWLING (30DE MODEL) .....	C6
Fig. 19	GENERATOR (30DE MODEL) .....	C7
Fig. 20	STARTING MOTOR (30DE MODEL) .....	D1
Fig. 21	ELECTRICAL 1 (30DE MODEL) .....	D2
Fig. 22	ELECTRICAL 2 (30DE MODEL) .....	D3
Fig. 23	REMOTE CONTROL .....	D4
Fig. 24	REMO-CON ATTACHMENT.....	D5
Fig. 25	STEERING GUIDE ATTACHMENT .....	D6
Fig. 26	REMOTE CONTROL ASS'Y (701 TYPE) .....	D7
Fig. 27	REMOTE CONTROL ASS'Y (703 TYPE) .....	E1
Fig. 28	OPTIONAL PARTS 1 .....	E2
Fig. 29	OPTIONAL PARTS 2 .....	E3
Fig. 30	OPTIONAL PARTS 3 .....	E4
Fig. 31	REPAIR KIT .....	E5
	NUMERICAL INDEX	

# FOREWORD

This Parts Catalogue is related to the parts in use for the Yamaha outboard motor 30D '86 (6J8). When you are ordering replacement parts for the 30D '86 (6J8), refer to this Parts Catalogue and quote both part numbers and part names correctly.

1. Modifications or additions which have been made after issue of the Parts Catalogue will be announced in the Yamaha Parts News.  
It is advisable that according to the Yamaha Parts News you make necessary corrections to the Parts Catalogue on hand to keep it up-to-date.

## 2. Abbreviations

The following abbreviations are used in this Parts Catalogue.

- U.R. Use size (thickness) and/or number as required.
- U.N. Use as many as you need.
- A.P. Alternate Parts
- S.T.D. Standard
- O.S. Over Size

3. Parts, which are to be supplied in the form of assemblies, are listed with an indentation of one letter's space, and a dot ( . ) is put against the name of each part.

### EXAMPLE

CARBURETOR ASS'Y  
 . JET, pilot  
 . NOZZLE, main

4. Indication of No. of constituent parts for assembly.

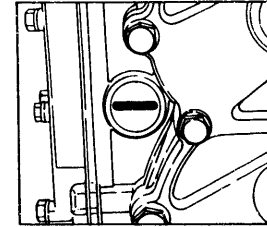
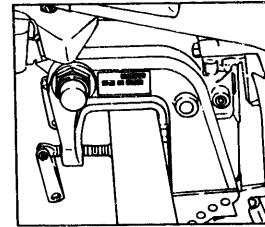
The numeral appearing to the right of each constituent part under the description indicates the quantity of such parts for each individual assembly unit.

### EXAMPLE

Part No.	Description	Q'ty	Remarks
6E0-85500-70	C.D.I. MAGNETO ASS'Y	1	
6E0-85550-70	. ROTOR ASS'Y	1	
6E0-15723-00-94	. . PULLEY, starter	1	

5. Initial Serial No. and Color Code

Engine Serial No.	
30DM	S : 000101 and following L : 300101 and following
30DE	S : 050101 and following L : 350101 and following
30DR	S : 200101 and following L : 500101 and following



Color Code	Color Name	Abbreviate
EJ	METALLIC MARINE BLUE	MMB

Fig. 1 CYLINDER. CRANKCASE

Ref.No.	Parts No.	Description	Q'ty	Ref.No.	Parts No.	Description	Q'ty
1	6J8-W0090-50-EJ	CRANK CYLINDER ASSY	1	20	6J8-11191-00-9M	COVER, cylinder head 1	1
2	6J8-15100-00-94	CRANKCASE ASSY	1	21	6J8-11193-00	GASKET, head cover 1	1
3	650-11370-00	.CHECK VALVE ASSY	1	22	97313-08060	BOLT	14
4	624-14485-00	.PIPE, joint	1	23	92990-08600	WASHER, plate	14
5	90119-08M19	BOLT, with washer	8	24	6E5-12411-00	THERMOSTAT	1
6	97313-06030	BOLT	6	25	6H4-12413-00-9M	COVER, thermostat	1
7	92990-06600	WASHER, plate	6	26	6H4-12414-00	GASKET, cover	1
8	93606-12019	PIN, dowel	2	27	97313-06025	BOLT	2
9	6F5-11119-00	HANGER, engine	1	28	92990-06600	WASHER, plate	2
10	97313-08035	BOLT	1	29	6J8-41113-00-9M	OUTER COVER, exhaust	1
11	6J8-11325-00	ANODE	2	30	676-11372-00	.NIPPLE, hose	1
12	6H3-11327-00-94	COVER, anode	2	31	6J8-41111-00-9M	INNER COVER, exhaust	1
13	6H3-11328-00	GROMMET, anode	2	32	6J8-41114-00	GASKET, exhaust outer cover	2
14	97313-06016	BOLT	2	33	6J8-1111J-00	PIPE 1	1
15	92990-06600	WASHER, plate	2	34	97395-06035	BOLT	11
16	90445-07M29	HOSE	1	35	92990-06600	WASHER, plate	11
17	90467-06016	CLIP	2	36	97395-06025	BOLT	1
18	6J8-11111-00-94	HEAD, cylinder 1	1	37	92990-06600	WASHER, plate	1
19	6J8-11181-00	GASKET, cylinder head 1	1	38	94702-00271	PLUG, spark (NGK BR7HS 10)	3

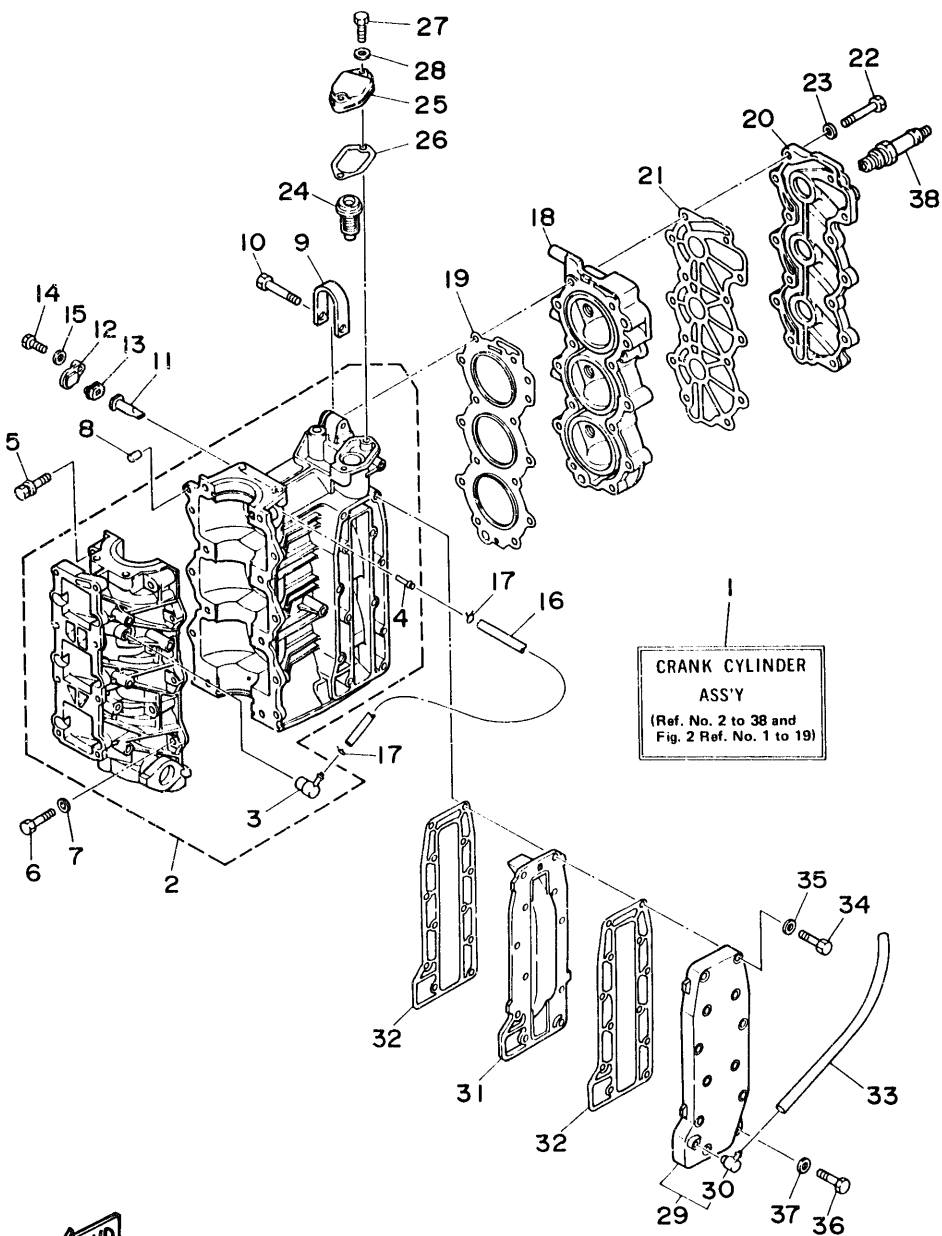
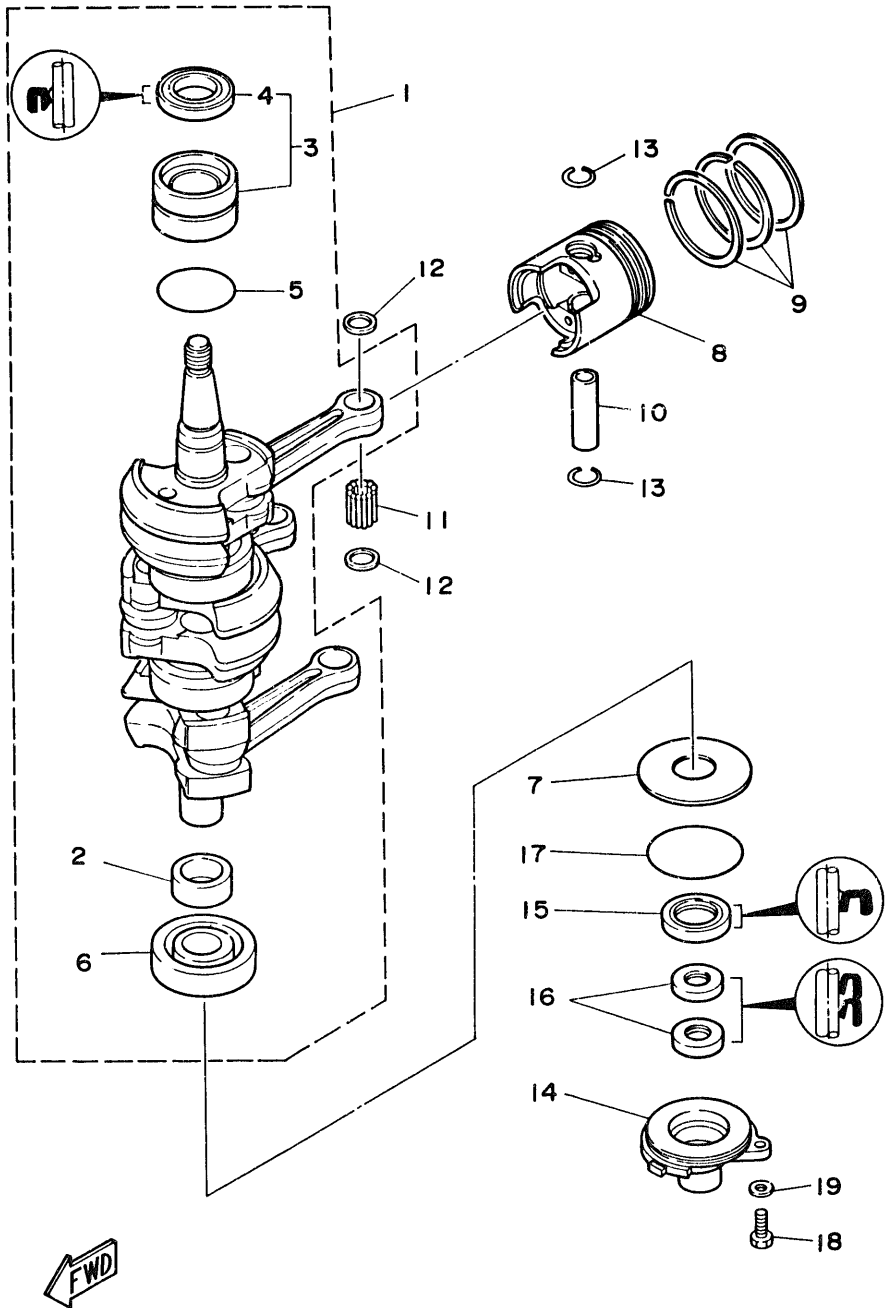


Fig. 2 CRANKSHAFT. PISTON

Ref.No.	Parts No.	Description	Qty	Ref.No.	Parts No.	Description	Qty
1	6J8-11400-00	CRANKSHAFT ASSY	1	9	6J8-11610-20	PISTON RING SET (2ND O/S)	3 AP
2	6J8-11445-00	.SPACER	1	10	6J8-11633-00	PIN, piston	3
3	93313-628U0	.BEARING, cylindrical	1	11	93602-16M10	PIN, dowel	84
4	93102-26M27	.OIL SEAL	1	12	90201-16379	WASHER, plate	6
5	93210-42159	.O-RING	1	13	4V2-11634-00	CLIP, piston pin	6
6	93306-305U3	.BEARING	1	14	6J8-15396-00-9M	HOUSING, oil seal	1
7	90201-50306	WASHER, plate	1	15	93101-25M28	OIL SEAL	1
8	6J8-11631-00-97	PISTON (STD)	3	16	93104-16M04	OIL SEAL	2
	6J8-11635-00	PISTON (0.25MM O/S)	3 AP	17	93210-56M80	O-RING	1
	6J8-11636-00	PISTON (0.50MM O/S)	3 AP	18	97313-06016	BOLT	2
9	6J8-11610-00	PISTON RING SET (STD)	3	19	92990-06600	WASHER, plate	2
	6J8-11610-10	PISTON RING SET (1ST O/S)	3 AP				



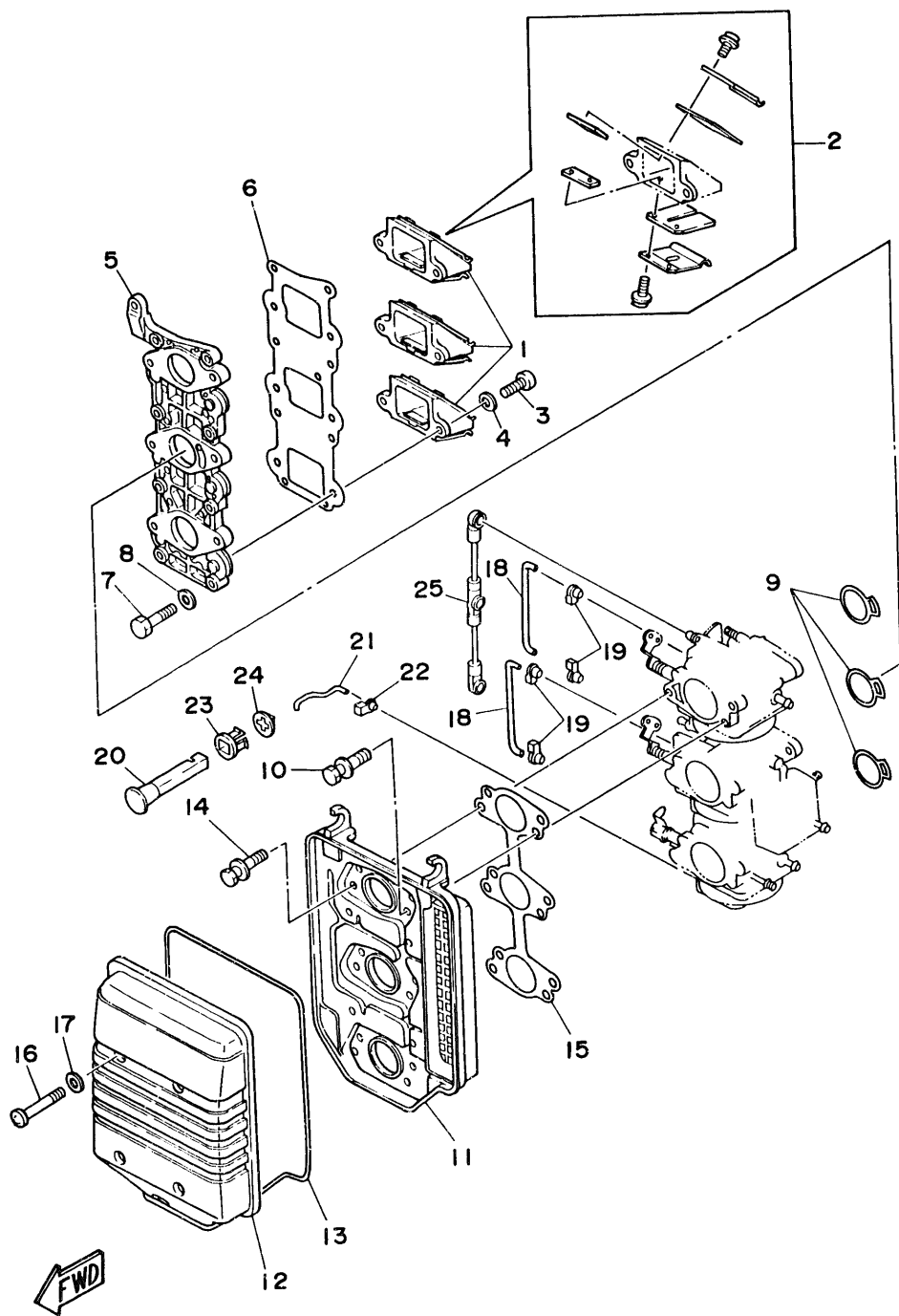
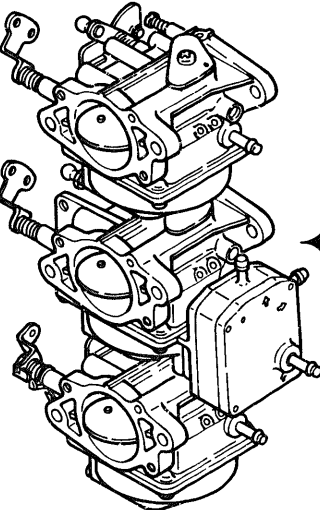
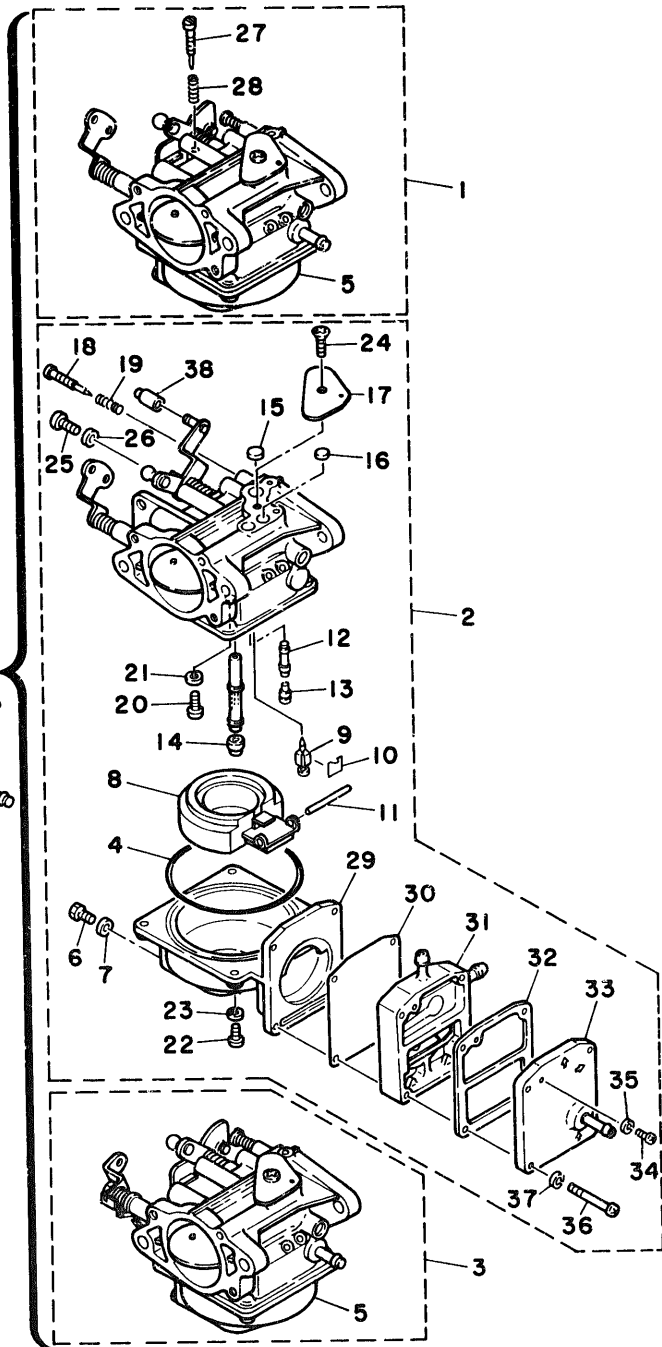


Fig. 3 INTAKE

Ref.No.	Parts No.	Description	Q'ty	Ref.No.	Parts No.	Description	Q'ty
1	6J8-13610-00	REED VALVE ASSY	3	14	90119-05M31	BOLT, with washer	6
2	6J8-W0004-00	REED SET	1	15	6J8-14483-00	GASKET	1
3	97803-05016	SCREW, pan head	6	16	98580-05540	SCREW, pan head	4
4	92990-05600	WASHER, plate	6	17	92990-05600	WASHER, plate	4
5	6J8-13641-00-94	MANIFOLD 1	1	18	6J8-41259-00	ROD, choke 3	2
6	6J8-13621-00	GASKET, valve seat	1	19	661-41262-02	JOINT, choke lever	4
7	97313-06025	BOLT	8	20	6J8-41271-00	KNOB, choke	1
8	92990-06600	WASHER, plate	8	21	6J8-41257-00	ROD, choke 2	1
9	6J8-14198-00	GASKET	3	22	6J8-41262-00	JOINT, choke lever	1
10	90119-06M32	BOLT, with washer	6	23	689-41273-00	GROMMET	1
11	6J8-14417-00	COVER 1	1	24	6J8-41274-00	GROMMET 2	1
12	6J8-14418-00	COVER 2	1	25	6J8-41217-00	ROD, accel. lever	1
13	6J8-14476-00	SEAL	1				

Fig. 4 CARBURETOR

Ref.No.	Parts No.	Description	Q'ty	Ref.No.	Parts No.	Description	Q'ty
1	6J8-14301-00	CARBURETOR ASSY 1 (Upper)	1	20	97803-04010	.SCREW, pan head	3
2	6J8-14302-00	CARBURETOR ASSY 2 (Center)	1	21	92903-04100	.WASHER, spring	3
3	6J8-14303-00	CARBURETOR ASSY 3 (Lower)	1	22	97803-04012	.SCREW, pan head	12
4	6J8-14984-00	.GASKET, float chamber	3	23	92903-04100	.WASHER, spring	12
5	6J8-14980-00	.BODY, float chamber	2	24	98701-05008	.SCREW, flat head	3
6	6J8-14991-00	.SCREW	3	25	6J8-14592-00	.SCREW	3
7	6J8-14995-00	.GASKET	3	26	92990-05600	.WASHER, plate	3
8	6J8-14985-00	.FLOAT	3	27	6J8-14523-00	.SCREW, stop (Upper)	1
9	6J8-14546-00	.VALVE, needle	3	28	6J8-14334-00	.SPRING, throttle (Upper)	1
10	6J8-14159-00	.CLIP	3	29	6J8-14981-00	.BODY, float chamber (Center)	1
11	6J8-14548-00	.PIN, float arm	3	30	6J8-24471-00	.DIAPHRAGM	1
12	6J8-1492F-25	.JET, air slow (#50)	3	31	6J8-24412-00	.BODY 1	1
13	6J8-14966-00	.PLUG	3	32	6J8-24432-00	.GASKET, fuel pump 2	1
14	6J8-1492E-51	.JET, main (#102)	3	33	6J8-24452-00	.COVER	1
15	6J8-14126-00	.PLUG	3	34	97803-03022	.SCREW, pan head	1
16	6J8-14118-00	.PLUG	3	35	92990-03100	.WASHER, spring	1
17	6J8-14527-00	.PLATE	3	36	97803-04024	.SCREW, pan head	4
18	6J8-14923-00	.SCREW, pilot	3	37	92903-04100	.WASHER, spring	4
19	6J8-14555-00	.SPRING	3	38	6J8-14578-00	.COLLAR (Center)	1

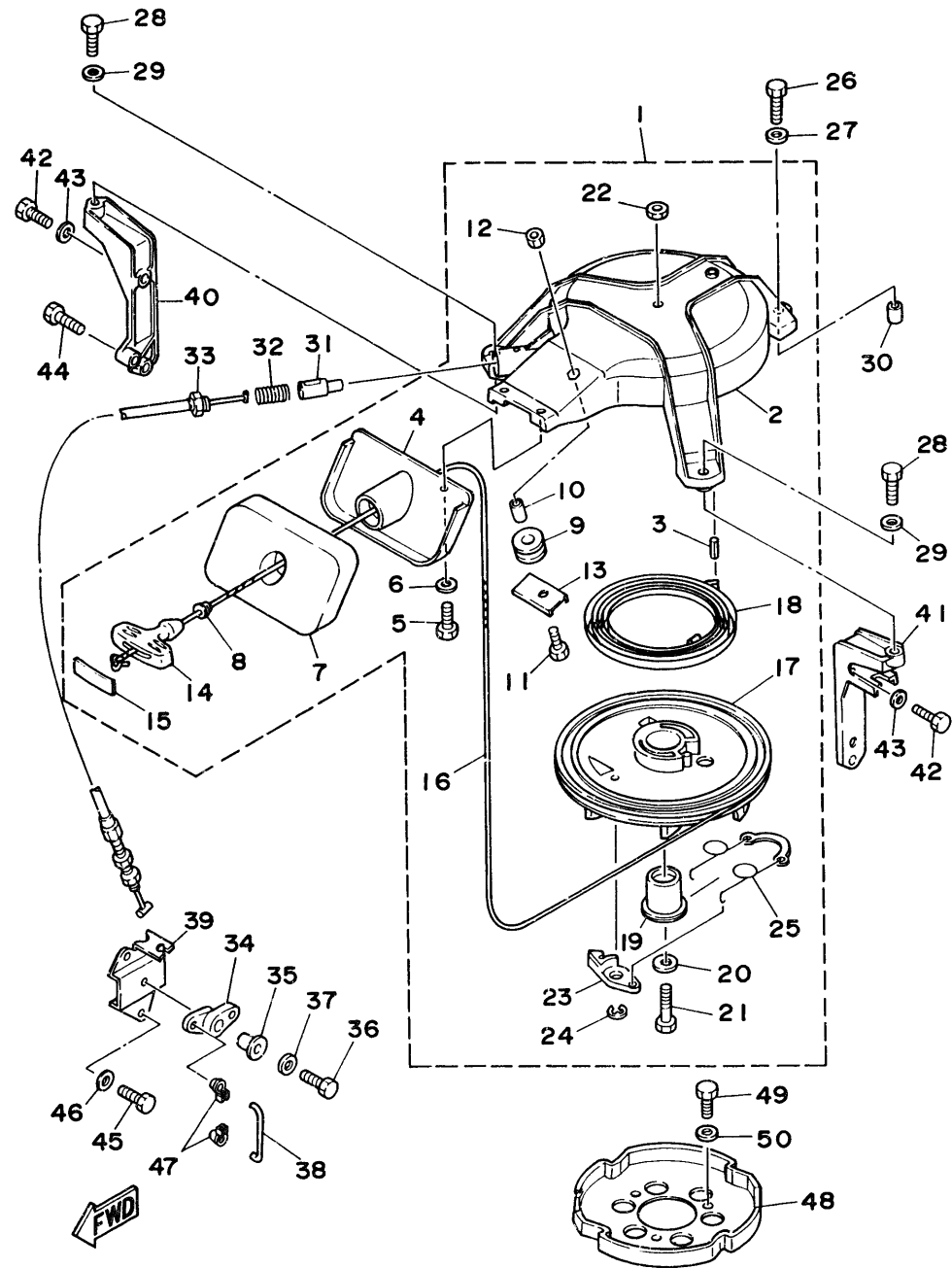


FWD

**Fig. 5 STARTER**

Ref.No.	Parts No.	Description	Q'ty	Ref.No.	Parts No.	Description	Q'ty
1	6J8-15710-00	STARTER ASSY	1	26	97313-06035	BOLT	1
2	6J8-15711-00	.CASE, starter	1	27	92990-06600	WASHER, plate	1
3	91690-40014	.PIN, spring	1	28	97313-06025	BOLT	2
4	6J8-15758-00-EJ	.GUIDE, rope	1	29	92990-06600	WASHER, plate	2
5	97313-06016	.BOLT	2	30	99530-10014	PIN, dowel	1
6	92990-06600	.WASHER, plate	2	31	656-15748-00	PLUNGER, starter stop	1
7	6J8-15762-00	.SEAL, rubber 2	1	32	90501-10227	SPRING, compression	1
8	6A0-15789-00	.DAMPER	1	33	6J8-15770-00	CABLE COMP., starter stop	1
9	6F5-15752-00	.ROLLER, wire	1	34	6J8-15746-00	ARM	1
10	6F5-15753-00	.BUSH	1	35	90387-06M29	COLLAR	1
11	97313-06025	.BOLT	1	36	97313-06025	BOLT	1
12	95380-06600	.NUT	1	37	92990-06600	WASHER, plate	1
13	6J8-15787-00	.ADAPTOR	1	38	6F5-15747-00	LINK	1
14	619-15755-01	.HANDLE, starter	1	39	6J8-15774-00	STAY 4	1
15	689-15779-01	.COVER	1	40	6J8-15771-00-94	STAY 1	1
16	*	.WIRE (1950mm)	1	41	6J8-15772-00	STAY 2	1
17	6J8-15714-00	.DRUM, sheave	1	42	97313-06020	BOLT	3
18	90510-08M04	.SPRING, spiral	1	43	92990-06600	WASHER, plate	3
19	677-15717-01	.SHAFT, starter	1	44	97313-06020	BOLT	1
20	90201-06060	.WASHER, plate	1	45	97313-06016	BOLT	2
21	97313-06025	.BOLT	1	46	92990-06600	WASHER, plate	2
22	95303-06700	.NUT	1	47	661-41262-02	JOINT, choke lever	2
23	676-15741-03	.PAWL, drive	1	48	6J8-15723-00	PULLEY, starter	1
24	93430-06M02	.CIRCLIP	1	49	97321-08014	BOLT	3
25	6J8-15705-00	.SPRING, drive pawl	1	50	92990-08600	WASHER, plate	3

\* Cut from 50m rolls, Parts No. 90890-44373, cutting length 1.95m.



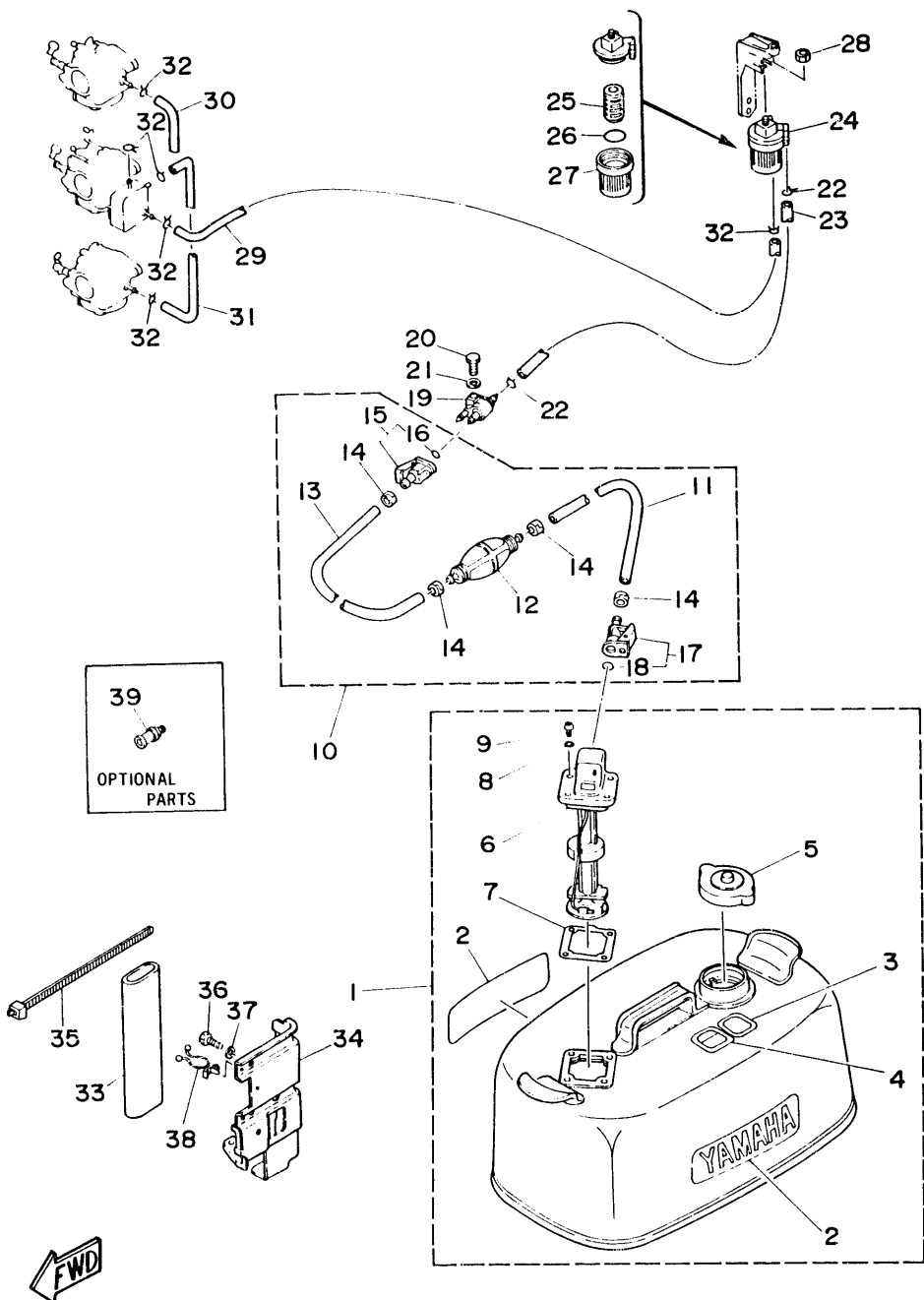


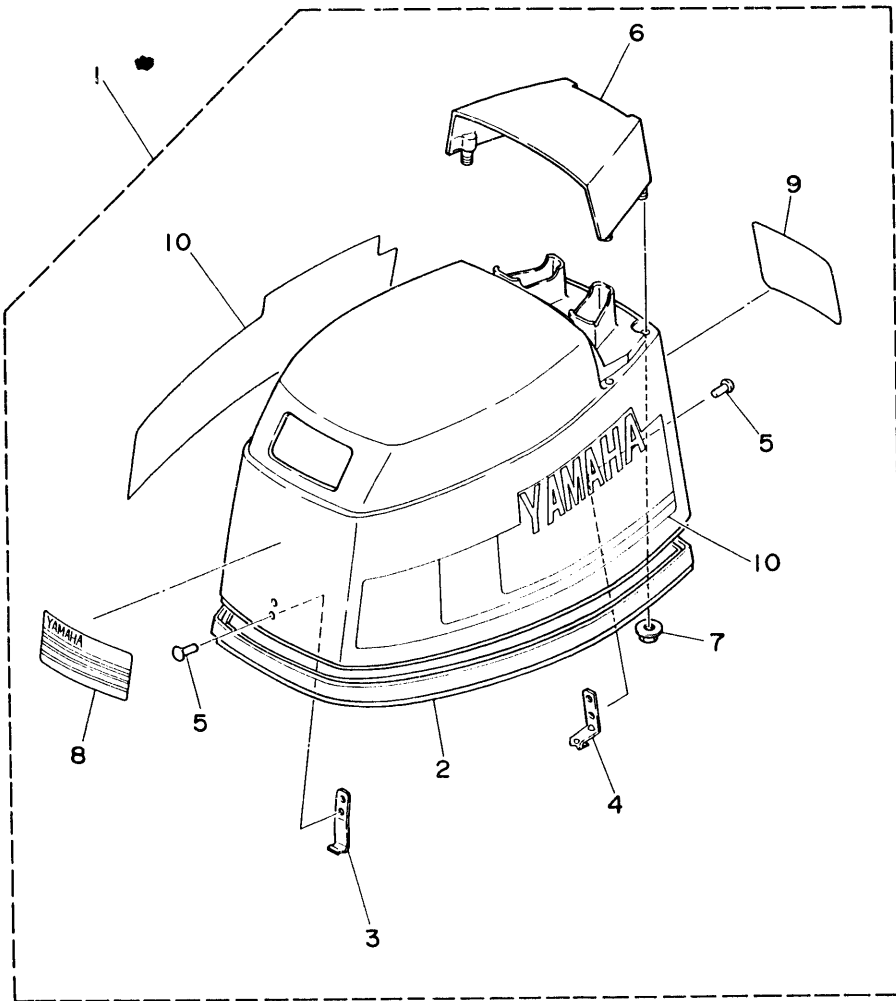
Fig. 6 FUEL

Ref.No.	Parts No.	Description	Q'ty	Ref.No.	Parts No.	Description	Q'ty
1	6Y1-24203-82-24	FUEL TANK ASSY	1	21	92990-06600	WASHER, plate	1
2	6Y1-24246-00	.GRAPHIC, side	2	22	90467-08004	CLIP	2
3	6Y1-24255-80	.GRAPHIC, fuel tank 8	1	23	90445-09M00	HOSE	1
4	6Y1-24257-00	.GRAPHIC	1	24	655-24560-01	FILTER ASSY	1
5	6Y1-24610-00	.CAP ASSY	1	25	6F5-24563-00	.ELEMENT, filter	1
6	6Y1-24260-01	.FUEL METER ASSY	1	26	93210-37M25	.O-RING	1
7	6Y1-24268-00	.GASKET, fuel meter	1	27	655-24521-01	.CUP, filter	1
8	6Y1-24329-00	.SEAL	4	28	90179-08M15	NUT	1
9	98586-05016	.SCREW, pan head	4	29	6A4-24312-00	PIPE 2	1
10	6Y1-24306-04	FUEL PIPE COMP. 1	1	30	688-24313-00	PIPE 3	1
#11	90445-11M80	.HOSE (L1900)	1	31	6J8-24311-00	PIPE, fuel 1	1
12	6Y1-24360-01	.PRIMER PUMP ASSY	1	32	90467-08004	CLIP	6
#13	90445-11M78	.HOSE (L1000)	1	33	6E0-28100-00	TOOL KIT	1
14	650-24351-00	.BAND 1	4	34	6J8-28170-00	TOOL, holder	1
15	6G1-24305-00	.FUEL PIPE JOINT COMP. 2	1	35	90465-13154	CLAMP	1
16	93210-08287	.O-RING	1	36	97313-08016	BOLT	2
17	6Y1-24305-01	.FUEL PIPE JOINT COMP. 2	1	37	92990-08600	WASHER, plate	2
18	93210-08287	.O-RING	1	38	90464-12M17	CLAMP	6
19	6G1-24304-00	FUEL PIPE JOINT COMP. 1	1	39	6E0-28193-SC-94	PLUG, water check	1 AP
20	97313-06025	BOLT	1				

# Also available in 30m rolls (Parts No. 90890-56878)

**Fig. 7 TOP COWLING**

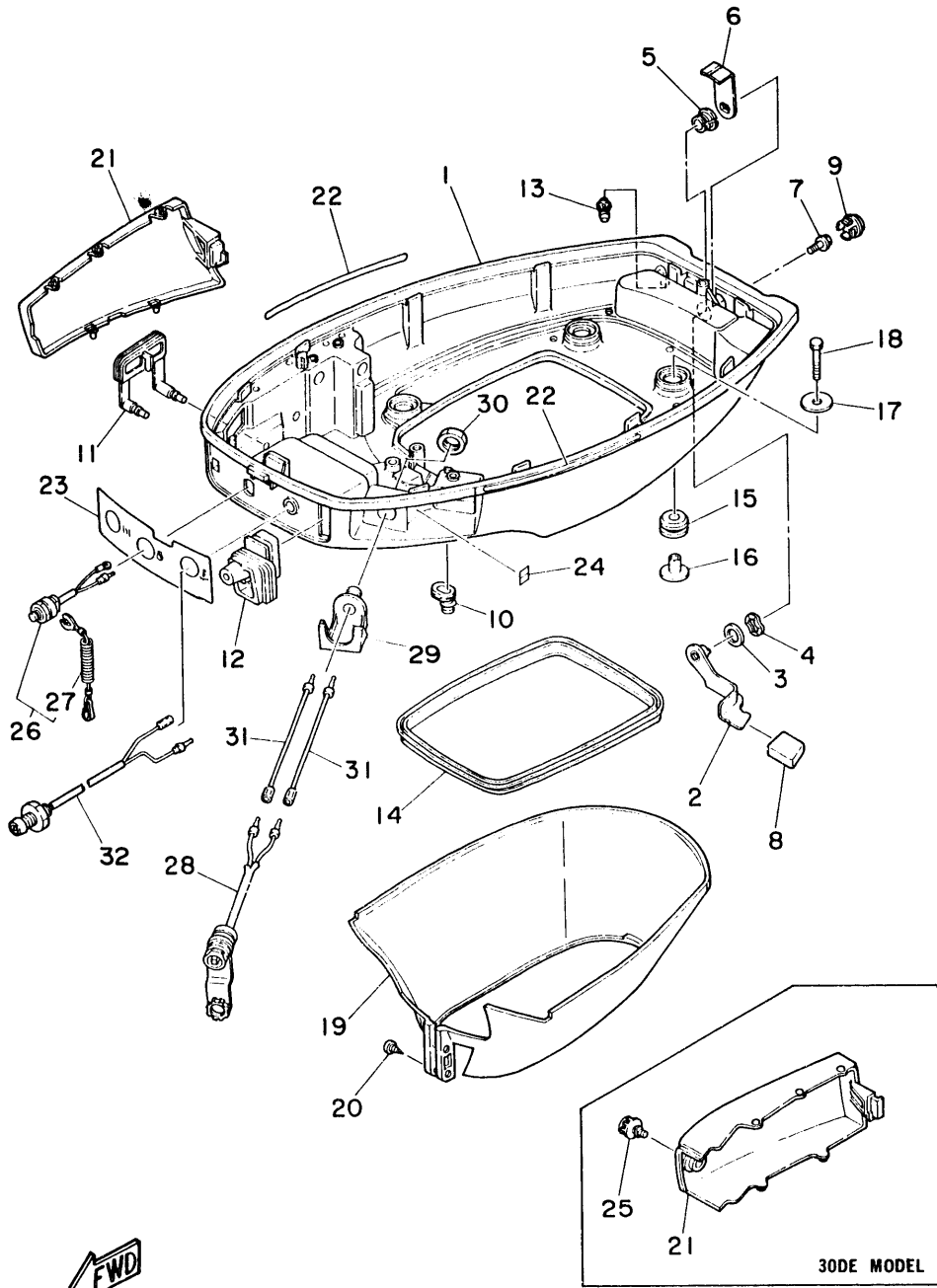
Ref.No.	Parts No.	Description	Q'ty	Ref.No.	Parts No.	Description	Q'ty
1	6J8-42610-J0-EJ	TOP COWLING ASSY	1	6	6J8-42613-00-EJ	.MOLDING, air duct	1
2	6J8-42615-00	.SEAL	1	7	90179-06M12	.NUT	4
3	6J8-42651-00	.HOOK	1	8	6J8-42677-00	.GRAPHIC, front	1
4	6J8-42652-00	.HOOK	1	9	6J8-42678-00	.GRAPHIC, rear	1
5	90266-04M00	.RIVET	4	10	6J8-W0070-J0	.GRAPHIC SET	1



FWD

**B2**

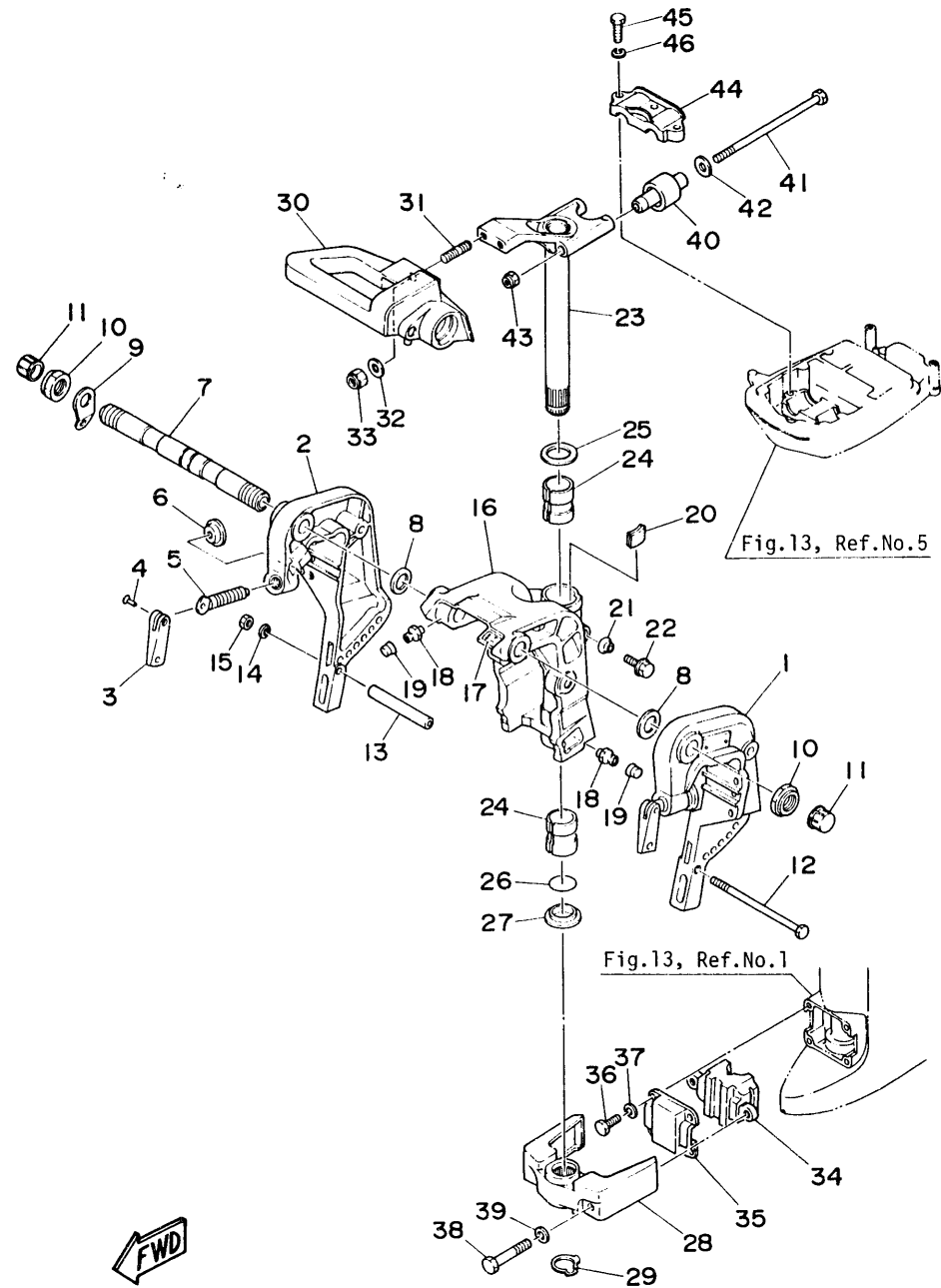
**Fig. 8 BOTTOM COWLING**

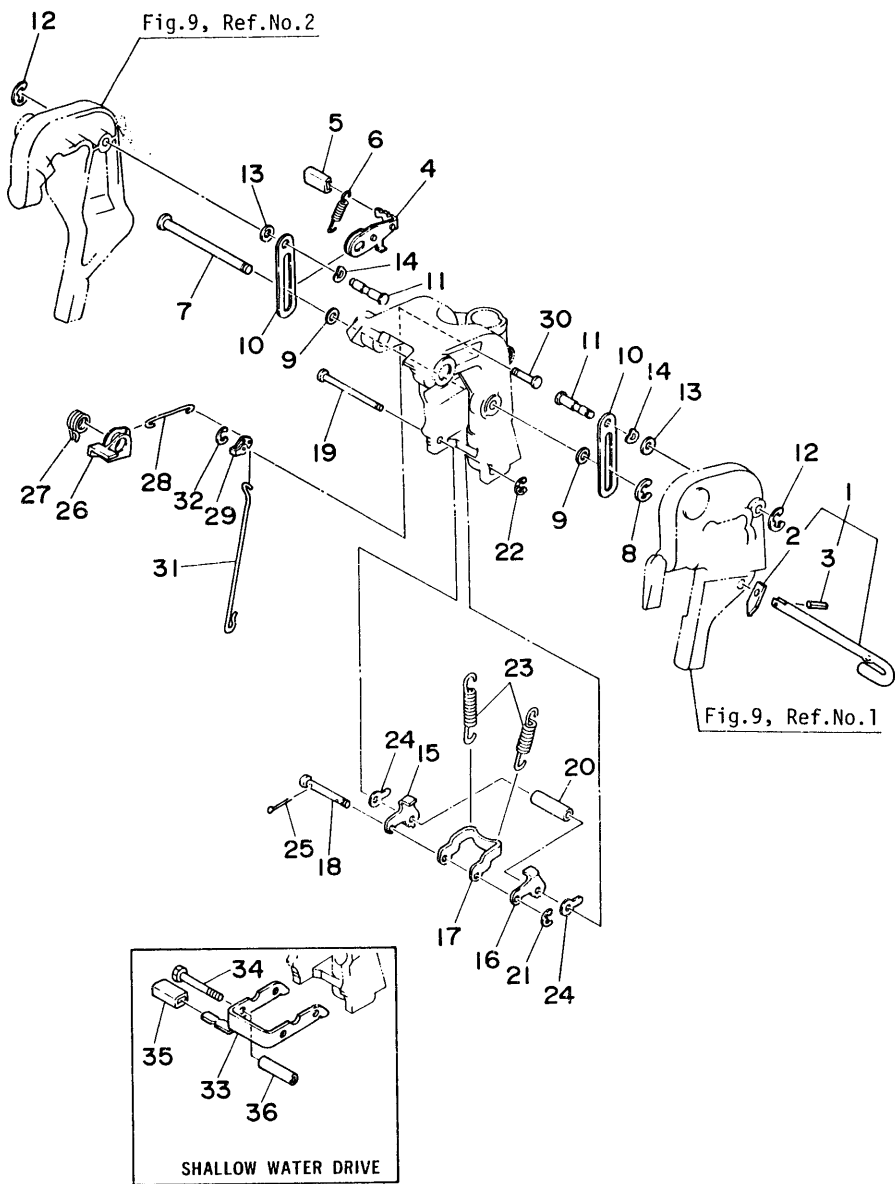


Ref.No.	Parts No.	Description	Q'ty	Ref.No.	Parts No.	Description	Q'ty
1	6J8-42711-00-EJ	COWLING, bottom	1	18	97313-06030	BOLT	4
2	6J8-42815-00-EJ	LEVER, clamp	1	19	6J8-42741-20	APRON	1
3	90202-12M25	WASHER, plate	1	20	90164-06M01	SCREW, tapping	2
4	90206-12052	WASHER, wave	1	21	6J8-42723-J0	COVER, bottom	1 UR
5	90386-12M61	BUSH	1		6J8-42723-20	COVER, bottom (30DE Model)	1 UR
6	6J8-42816-00	LEVER, clamp	1	22	6J8-42735-00	PROTECTOR	2
7	95895-06012	BOLT, flange	1	23	6J8-42719-10	PANEL, front lower	1 UR
8	6J8-42831-00	BUSHING	1		6J8-42719-00	PANEL, front lower (30DE Model)	1 UR
9	6J8-42728-20	CAP	1	24	6A1-42792-01	MARK	1
10	6G1-42727-00	GROMMET	1	25	6J8-42846-00	SCREW (30DE Model)	1
11	6J8-42724-00	GROMMET	1	26	689-82575-02	KILL SWITCH ASSY	1
12	6J8-42726-00	GROMMET	1	27	682-82556-00	.STOPPER	1
13	6H3-44391-00	NIPPLE, hose	1	28	682-84381-00	2P CONCENT	1
14	6J8-42716-00	RUBBER, seal 1	1	29	6J8-84387-00	HOLDER	1
15	90480-09M21	GROMMET	4	30	663-82557-00	NUT	1
16	90387-06M41	COLLAR	4	31	6J8-82553-00	EXTENSION, wire lead	2
17	90201-06416	WASHER, plate	4	32	6J8-85410-00	EMERGENCY SIGNAL LIGHT ASSY	1

Fig. 9 BRACKET 1

Ref.No.	Parts No.	Description	Q'ty	Ref.No.	Parts No.	Description	Q'ty
1	6H4-43111-03-EJ	BRACKET, clamp	1	25	90201-30420	WASHER, plate	1
2	6H4-43112-02-EJ	BRACKET, clamp	1	26	93210-29375	O-RING	1
3	616-43118-00-EJ	HANDLE, transom clamp	2	27	90386-30M60	BUSH	1
4	90243-04001	PIN	2	28	6H4-44551-00-EJ	HOUSING, lower mount	1
5	90149-14M03	SCREW	2	29	93410-28M06	CIRCLIP	1
6	648-43114-01	PAD, transom clamp	2	30	6J8-42121-00-EJ	BRACKET	1
7	6J8-43131-00	BOLT, clamp bracket	1	31	90116-10M28	BOLT, stud	2
8	90201-22428	WASHER, plate	2	32	92990-10600	WASHER, plate	2
9	6J8-43113-00	PLATE, clamp bracket	1	33	90185-10051	NUT, self-locking	2
10	90185-22043	NUT, self-locking	2	34	6H4-44557-00	MOUNT DAMPER, lower front (Short)	1 UR
11	663-43145-00	CAP, clamp bracket	2	6H4-44557-10	MOUNT DAMPER, lower front (Long)	1 UR	
12	90101-08339	BOLT	1	35	6H4-44553-00	COVER, lower mount	1
13	90387-09074	COLLAR	1	36	97395-08025	BOLT	4
14	92990-08600	WASHER, plate	1	37	92990-08600	WASHER, plate	4
15	95380-08600	NUT	1	38	97395-10060	BOLT	2
16	6J8-43311-00-EJ	BRACKET, swivel	1	39	92990-10600	WASHER, plate	2
17	6G8-43691-00	INDICATOR, tilt	1	40	6H4-44514-00	MOUNT DAMPER, upper side	2
18	93700-06004	NIPPLE, grease	3	41	90109-08M26	BOLT	2
19	663-45119-00	CAP, grease nipple	3	42	90201-09425	WASHER, plate	2
20	6H4-42528-00	PLATE, friction	1	43	90185-08045	NUT, self-locking	2
21	689-43373-01	SEAL, damper	1	44	6J8-44511-00-EJ	COVER, upper mount	1
22	90105-06M18	BOLT, washer based	1	45	97390-08035	BOLT	3
23	6J8-42510-00-EJ	STEERING BRACKET ASSY	1	46	92990-08100	WASHER, spring	3
24	90386-30048	BUSH	2				





**Fig. 10 BRACKET 2**

Ref.No.	Parts No.	Description	Q'ty	Ref.No.	Parts No.	Description	Q'ty
1	6H4-43160-00	TILT ROD ASSY	1	19	6J8-43611-00	SHAFT, tilt lock	1
2	676-43165-00	.PLATE, tilt lock	1	20	90387-07M64	COLLAR	1
3	91690-30010	.PIN, spring	1	21	93430-06M02	CIRCLIP	1
4	6J8-43181-00	LEVER, tilt stop	1	22	93430-05027	CIRCLIP	1
5	682-43318-01	COVER	1	23	90506-32M22	SPRING, tension	2
6	90506-12M23	SPRING, tension	1	24	6H4-43674-00	WASHER (Without Shallow Water Drive)	2
7	90249-12M17	PIN	1	25	91490-20015	PIN, cotter	2
8	93430-10M00	CIRCLIP	1	26	6H4-43631-01	LEVER, tilt	1
9	90202-12031	WASHER, plate	2	27	689-43643-00	SPRING	1
10	6J8-43627-00	STOPPER	2	28	6H4-43616-00	ROD, tilt lock	1
11	90249-12M14	PIN	2	29	682-43641-00	LEVER, tilt	1
12	93430-10M00	CIRCLIP	2	30	90249-06117	PIN	1
13	90202-12031	WASHER, plate	2	31	6J8-43617-00	ROD, tilt lock	1
14	90206-12M16	WASHER, wave	2	32	93430-05027	CIRCLIP	1
15	6J8-43614-00	PLATE, tilt lock	1	33	6J8-43681-00	LEVER, shallow water drive	1
16	6J8-43615-00	PLATE, tilt lock	1	34	97395-06075	BOLT	1
17	6J8-43613-00	ARM, tilt lock	1	35	682-43318-01	COVER	1
18	6H4-43659-00	SHAFT, reverse lock	1	36	90387-06M00	COLLAR	1

FWD

**Fig. 11 STEERING**

Ref.No.	Parts No.	Description	Q'ty	Ref.No.	Parts No.	Description	Q'ty
1	6J8-W0084-00-EJ	HANDLE STEERING ASSY (Ref. No. 2 to 33, Fig. 8 Ref.No.12 and Fig.9 Ref.No.30)	1	17	90269-02001	RIVET	1
2	6G1-42111-03-EJ	HANDLE, steering	1	18	90501-23215	SPRING, compression	1
3	6E0-44191-11	INDICATOR, shift	1	19	92990-10600	WASHER, plate	1
4	90206-35M11	WASHER, wave	1	20	98680-05525	SCREW, oval head	1
5	90202-35M24	WASHER, plate	1	21	90386-08032	BUSH	1
6	90386-34M40	BUSH	1	22	6G1-42138-01	LEVER, throttle	1
7	90386-43M62	BUSH	1	23	6E0-42159-00	STAY	1
8	6G1-42131-00	COVER, handle steering	1	24	98580-05012	SCREW, pan head	2
9	97395-06016	BOLT	1	25	6J8-26301-00	THROTTLE CABLE ASSY	2
10	6G1-42125-01	BOLT, friction adjusting	1	26	6J8-44111-00-EJ	HANDLE, gear shift	1
11	6G1-42126-00	FRICTION, steering handle grip	1	27	6J8-44125-00	LEVER, shift rod	1
12	91490-16010	PIN, cotter	1	28	682-44132-00	BUSHING	2
13	90202-05088	WASHER, plate	1	29	91690-30018	PIN, spring	1
14	664-42119-00	GRIP, steering handle	1	30	90386-06M12	BUSH	1
15	6G1-42177-00	RUBBER, handle	1	31	6J8-44124-00	LINK, shift rod	1
16	6J8-42137-00	INDICATOR, throttle	1	32	92990-06200	WASHER, plain	1
				33	91490-20015	PIN, cotter	1

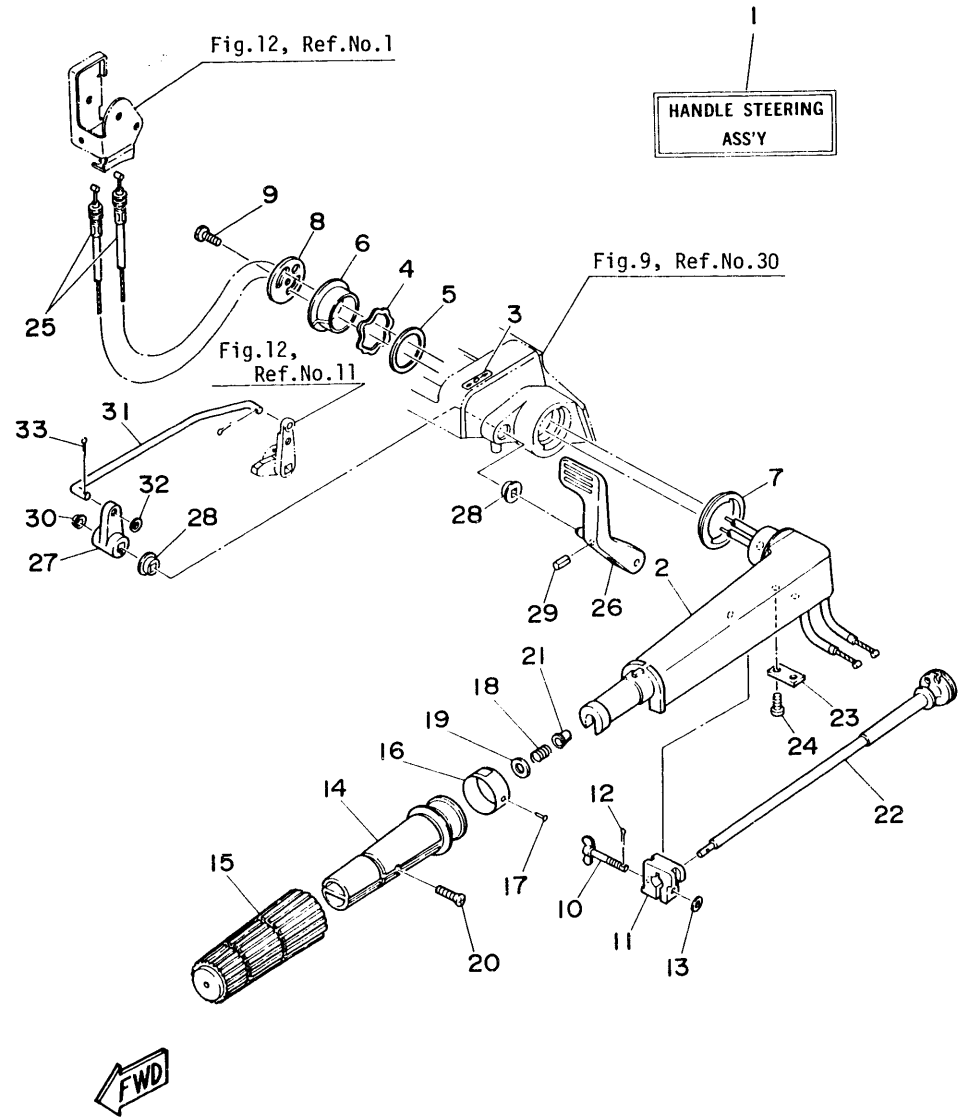


Fig. 12 CONTROL

Ref.No.	Parts No.	Description	Q'ty	Ref.No.	Parts No.	Description	Q'ty
1	6J8-14497-00	STAY, throttle wire	1	20	97395-06012	BOLT	1
2	6J8-41213-00	CAM, accel.	1	21	92990-06600	WASHER, plate	1
3	90109-06M28	BOLT	1	22	6J8-44143-00	ROD, shift	1
4	97803-06025	SCREW, pan head	1	23	92990-05600	WASHER, plate	1
5	95303-06600	NUT	1	24	91490-16010	PIN, cotter	1
6	6J8-42167-00	SPRING 1	1	25	90170-06015	NUT	1
7	6J8-41631-00	LEVER, magneto control	1	26	689-43373-01	SEAL, damper	1
8	689-42169-01	JOINT	1	27	6J8-42192-00	ROD 2	1
9	682-41237-00	JOINT, link	1	28	682-41237-00	JOINT, link	1
10	95303-05600	NUT	1	29	95303-05600	NUT	1
11	6J8-44123-00	ARM, shift rod	1	30	6J8-42154-00	LEVER, throttle control	1
12	91690-30018	PIN, spring	1	31	90202-10024	WASHER, plate	1
13	92990-06200	WASHER, plain	1	32	90179-08M15	NUT	1
14	91490-20015	PIN, cotter	1	33	6J8-44142-00	JOINT	1
15	6J8-44121-00	LEVER, shift rod	1	34	91690-30018	PIN, spring	1
16	6G1-41662-01-94	BRACKET	2	35	6J8-42169-00	JOINT	1
17	97313-06020	BOLT	2	36	6J8-44173-00	LEVER, shift control	1
18	92990-06600	WASHER, plate	2	37	90202-10024	WASHER, plate	1
19	6G1-44116-01	SPRING	1	38	90179-08M15	NUT	1

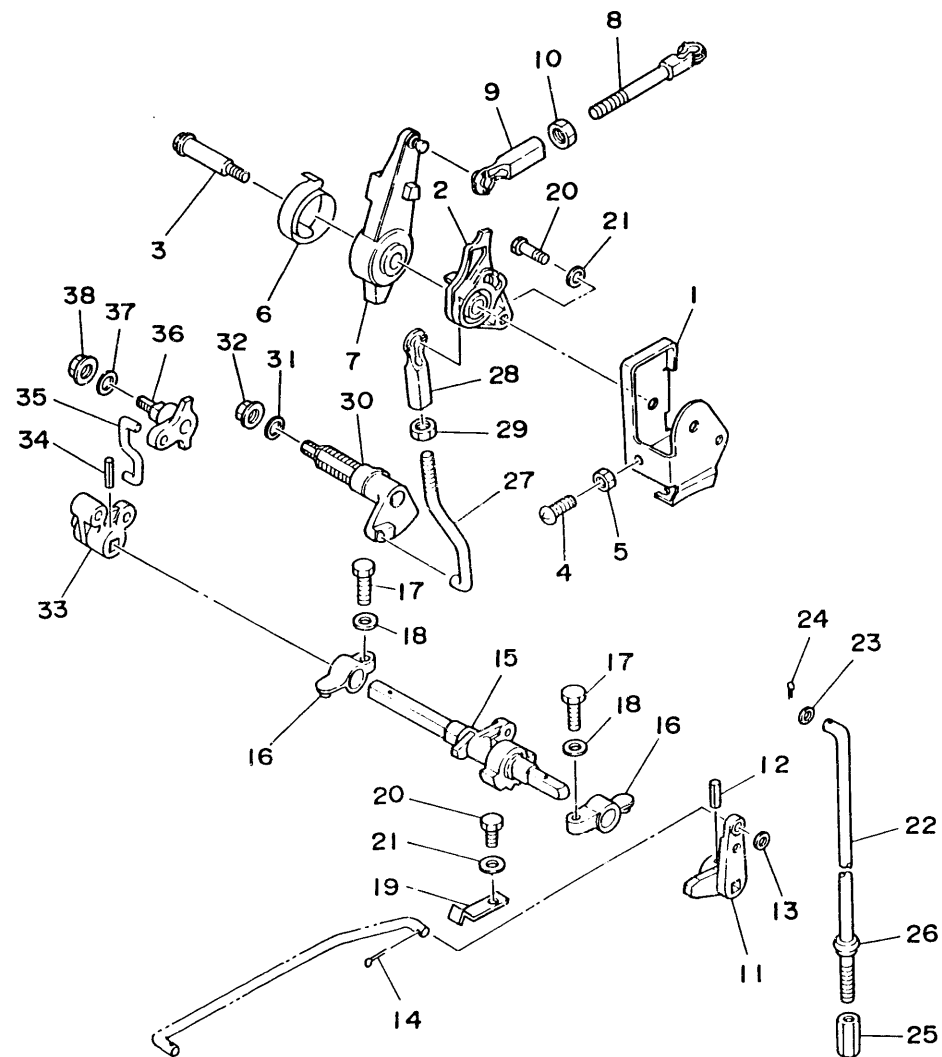
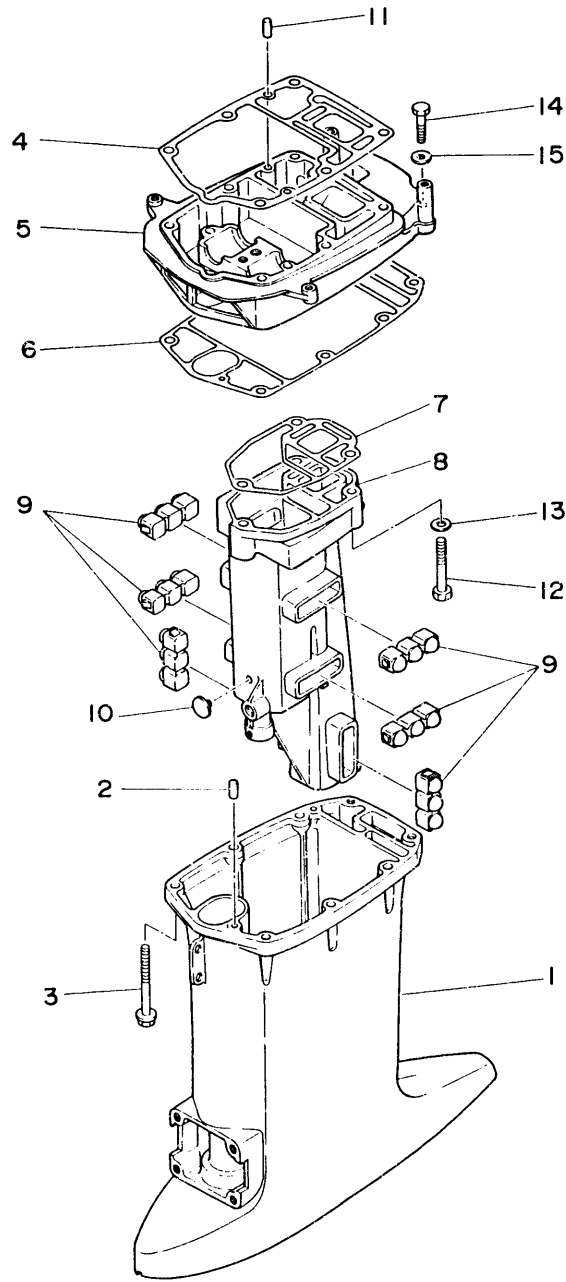


Fig. 13 UPPER CASING

Ref.No.	Parts No.	Description	Q'ty	Ref.No.	Parts No.	Description	Q'ty
1	6J8-45111-00-EJ	CASING, upper (Short)	1 UR	8	6J8-41131-00-9M	MANIFOLD, ext. 1	1
	6J8-45111-10-EJ	CASING, upper (Long)	1 UR	9	6J8-14737-00	DAMPER, muffler	6
2	93606-12019	PIN, dowel	2	10	90338-07M00	PLUG	1
3	90119-08M31	BOLT, with washer	6	11	93606-12019	PIN, dowel	2
4	6J8-45113-00	GASKET, upper casing	1	12	97395-08050	BOLT	3
5	6J8-41137-00-94	GUIDE, exhaust	1	13	92990-08600	WASHER, plate	3
6	6J8-45114-00	GASKET, upper casing	1	14	97375-08030	BOLT	2
7	6J8-41134-00	GASKET, exhaust manifold	1	15	92990-08600	WASHER, plate	2



C1

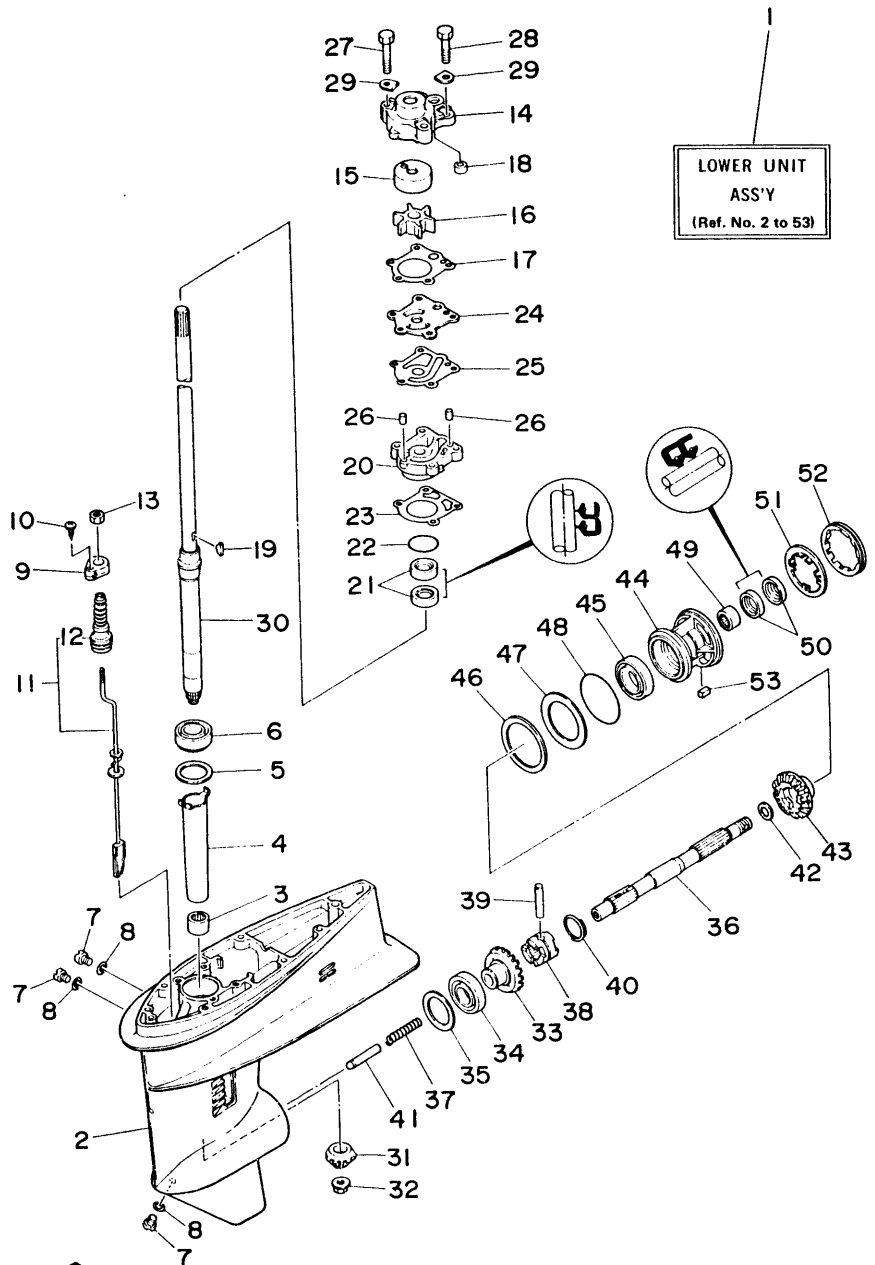
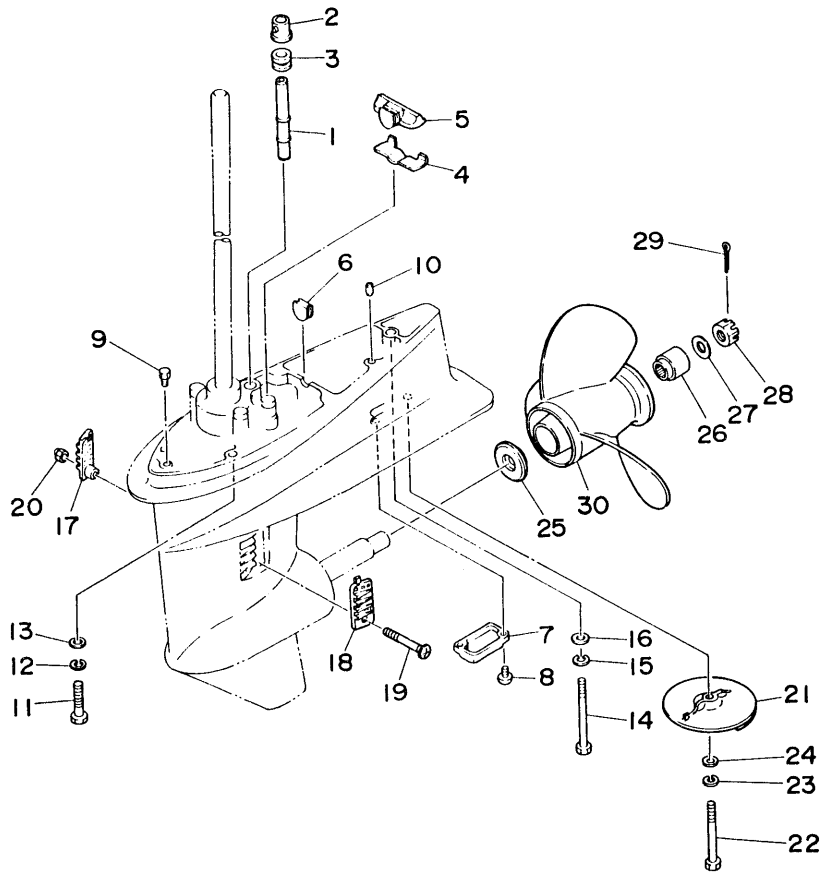


Fig. 14 LOWER CASING. DRIVE 1

Ref.No.	Parts No.	Description	Q'ty	Ref.No.	Parts No.	Description	Q'ty
1	6J8-45300-00-EJ	LOWER UNIT ASSY (Short)	1 UR	29	90209-08M02	WASHER	4
	6J8-45300-10-EJ	LOWER UNIT ASSY (Long)	1 UR	30	6J8-45501-00	DRIVE SHAFT COMP. (Short)	1 UR
2	6J8-45301-00-EJ	CASING, lower	1		6J8-45501-10	DRIVE SHAFT COMP. (Long)	1 UR
3	93315-220V7	BEARING, cylindrical	1	31	6J8-45551-00	PINION	1
4	6J8-45536-00	SLEEVE, drive shaft	1	32	90179-10M14	NUT	1
5	663-45587-00-05	SHIM (TO.05)	1 UR	33	6J8-45560-00	GEAR	1
	663-45587-00-08	SHIM (TO.08)	1 UR	34	93332-000V6	BEARING	1
	663-45587-00-12	SHIM (TO.12)	1 UR	35	6J8-45567-00-05	SHIM	1 UR
	663-45587-00-30	SHIM (TO.30)	1 UR		6J8-45567-00-08	SHIM	1 UR
	663-45587-00-50	SHIM (TO.50)	1 UR		6J8-45567-00-12	SHIM	1 UR
6	93332-00023	BEARING	1		6J8-45567-00-30	SHIM	1 UR
7	90340-08014	PLUG, straight screw	3		6J8-45567-00-50	SHIM	1 UR
8	90430-08020	GASKET	3	36	6J8-45611-00	SHAFT, propeller	1
9	682-44176-00	BRACKET	1	37	90501-10065	SPRING, compression	1
10	97780-50510	SCREW, tapping	1	38	6J8-45631-00	CLUTCH, dog	1
11	6J8-44150-00	SHIFT CAM ASSY (Short)	1 UR	39	90250-05010	PIN, straight	1
	6J8-44150-10	SHIFT CAM ASSY (Long)	1 UR	40	648-45633-00	RING, cross pin	1
12	682-44147-00	.BOOT, shift rod	1	41	6J8-45635-00	PLUNGER, shift	1
13	95380-06700	NUT	1	42	90201-20417	WASHER, plate	1
14	6J8-44311-00	HOUSING, water pump	1	43	6J8-45571-00	GEAR	1
15	663-44322-00	INSERT, cartridge	1	44	689-45331-00-94	HOUSING, bearing	1
16	6H4-44352-00	IMPELLER	1	45	93306-00609	BEARING	1
17	663-44315-00	GASKET, water pump	1	46	664-45577-00-05	SHIM (TO.05)	1 UR
18	663-44366-00	DAMPER, water seal	1		664-45577-00-08	SHIM (TO.08)	1 UR
19	90280-03024	KEY, woodruff	1		664-45577-00-12	SHIM (TO.12)	1 UR
20	663-44341-00-94	HOUSING, water pump	1		664-45577-00-30	SHIM (TO.30)	1 UR
21	93101-23070	OIL SEAL	2		664-45577-00-50	SHIM (TO.50)	1 UR
22	93210-41042	O-RING	1	47	664-45576-00	WASHER, thrust	1 UN
23	663-44316-00	GASKET, water pump	1	48	93210-60M17	O-RING	1
24	663-44323-00	OUTER PLATE, cartridge	1	49	93315-22004	BEARING, cylindrical	1
25	663-44324-00	GASKET, cartridge	1	50	93101-20M07	OIL SEAL	2
26	93604-08062	PIN, dowel	2	51	90214-45M00	WASHER, claw	1
27	97395-08050	BOLT	2	52	664-45384-00	NUT	1
28	97395-08040	BOLT	2	53	90282-04010	KEY, straight	1

FWD

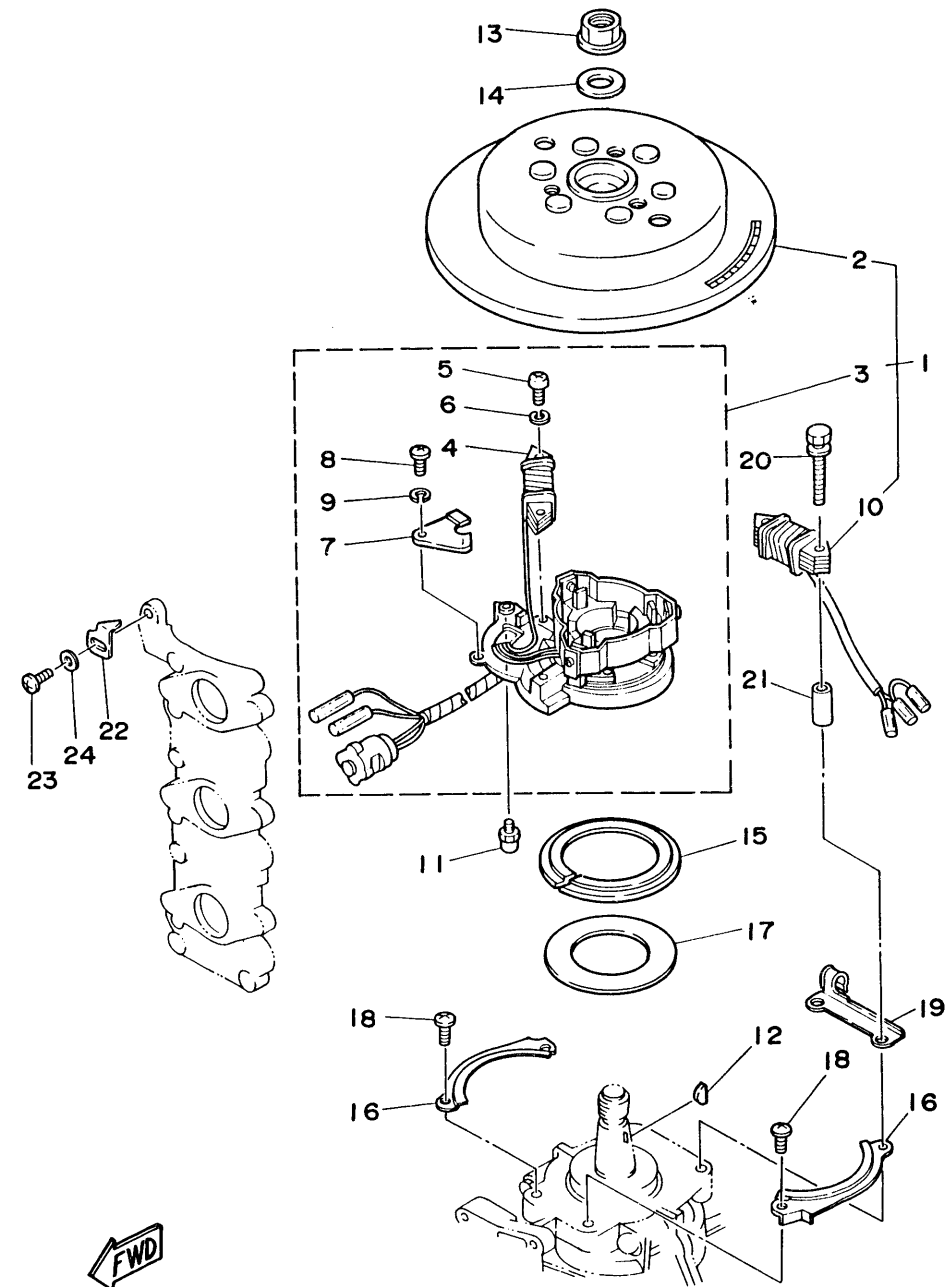
Fig. 15 LOWER CASING. DRIVE 2



Ref.No.	Parts No.	Description	Q'ty	Ref.No.	Parts No.	Description	Q'ty
1	6J8-44361-00	TUBE, water (Short)	1 UR	18	6J8-45215-00	COVER, water inlet	1
	6J8-44361-10	TUBE, water (Long)	1 UR	19	98680-05525	SCREW, oval head	1
2	6J8-44366-00	DAMPER, water seal	1	20	90185-05002	NUT, self-locking	1
3	663-44367-00	DAMPER, water seal	1	21	664-45371-01	TAB-TRIM	1
4	6H9-45376-00	GUIDE, seal damper	1	22	97395-08020	BOLT	1
5	6J8-45375-10	DAMPER, seal	1	23	92990-08100	WASHER, spring	1
6	6J8-44365-10	DAMPER, water seal	1	24	92990-08600	WASHER, plate	1
7	6J8-45224-10	COVER, water inlet 3	1	25	664-45987-00	SPACER	1
8	97890-06012	SCREW, pan head	2	26	689-45997-00	SPACER	1
9	6J8-45378-00	NIPPLE, hose	1	27	92990-14200	WASHER, plain	1
10	93606-12019	PIN, dowel	2	28	90171-14013	NUT, castle	1
11	97375-10040	BOLT	4	29	91490-30025	PIN, cotter	1
12	92990-10100	WASHER, spring	4	30	664-45949-02-EL	PROPELLER (3X9-7/8"X13"-F)	1 UR
13	92990-10600	WASHER, plate	4		664-45941-01-EL	PROPELLER (3X9-7/8"X9"-F)	1 UR
14	97395-08085	BOLT	1		664-45943-01-EL	PROPELLER (3X9-7/8"X8"-F)	1 UR
15	92990-08100	WASHER, spring	1		664-45945-00-EL	PROPELLER (3X9-7/8"X10-1/2"-F)	1 UR
16	92990-08600	WASHER, plate	1		664-45947-01-EL	PROPELLER (3X9-7/8"X11-1/4"-F)	1 UR
17	689-45214-01	COVER, water inlet	1		664-45952-00-EL	PROPELLER (3X9-7/8"X14"-F)	1 UR

Fig. 16 GENERATOR

Ref.No.	Parts No.	Description	Q'ty	Ref.No.	Parts No.	Description	Q'ty
1	6J8-85500-F0	C.D.I. MAGNETO ASSY	1	13	90179-16M05	NUT	1
2	6J8-85550-F0	.ROTOR ASSY	1	14	90201-16M44	WASHER, plate	1
3	6H4-85510-F0	.STATOR ASSY	1	15	6H4-41611-00	RETAINER, magneto base	1
4	6H4-85520-00	..COIL, charge	1	16	6J8-41615-00	STOPPER, magneto base	2
5	97802-06020	..SCREW, pan head	2	17	6J8-41618-00	WASHER, magneto	1
6	92990-06100	..WASHER, spring	2	18	92580-06012	SCREW, pan head	2
7	6H4-85548-00	..HOLDER	1	19	6J8-85548-00	HOLDER	1
8	98501-05008	..SCREW, pan head	1	20	90101-06M00	BOLT	2
9	92990-05100	..WASHER, spring	1	21	90387-06M76	COLLAR	2
10	6H4-85533-A0	..COIL, lighting	1	22	6J8-81332-00	PLATE, timing	1
11	663-85518-00	JOINT, ball	1	23	98580-05010	SCREW, pan head	1
12	90280-05013	KEY, woodruff	1	24	92990-05600	WASHER, plate	1



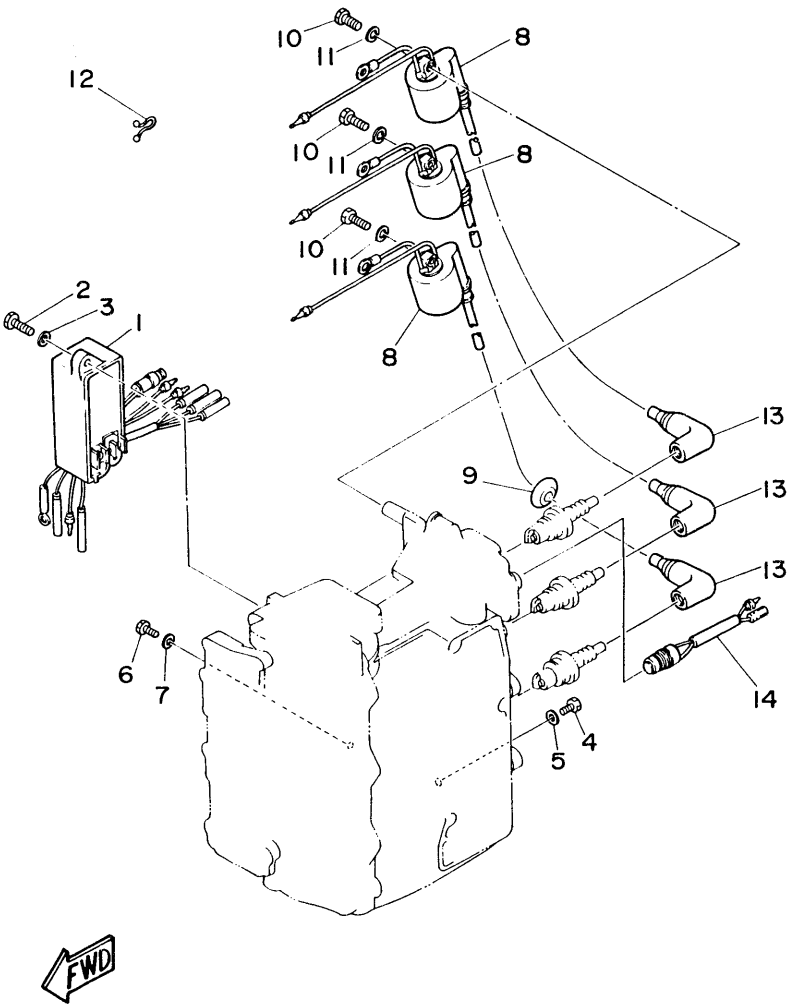
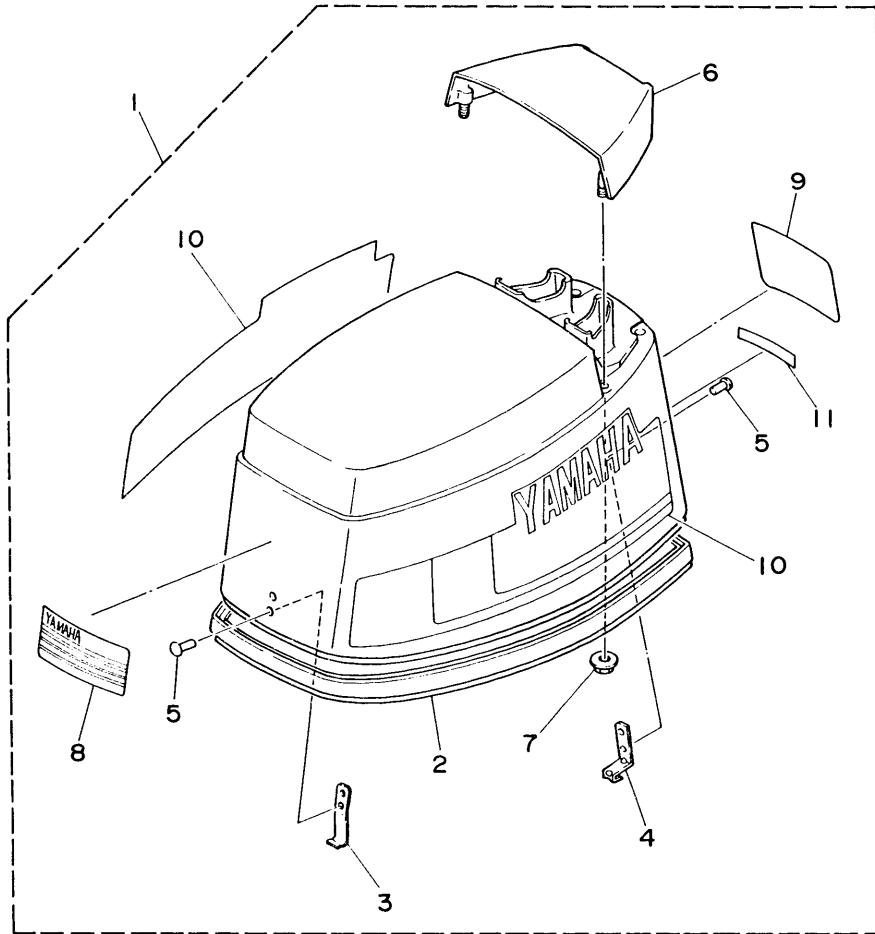


Fig. 17 ELECTRIC PARTS

Ref.No.	Parts No.	Description	Q'ty	Ref.No.	Parts No.	Description	Q'ty
1	6J8-85540-H0	C.D.I. UNIT ASSY	1	8	6J8-85570-20	IGNITION COIL ASSY	3
2	97313-06025	BOLT	2	9	90480-25161	GROMMET	1
3	92990-06600	WASHER, plate	2	10	97313-06020	BOLT	6
4	97313-06012	BOLT	1	11	92990-06100	WASHER, spring	6
5	92990-06600	WASHER, plate	1	12	90464-05M16	CLAMP	1
6	97313-06012	BOLT	1	13	6G1-82370-20	PLUG CAP ASSY	3
7	92990-06600	WASHER, plate	1	14	689-82560-00	THERMO SWITCH ASSY	1

**Fig. 18 TOP COWLING (30DE MODEL)**

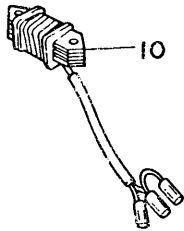
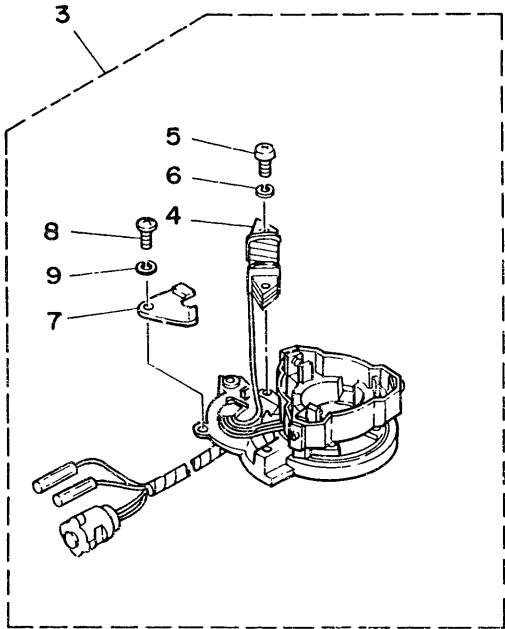
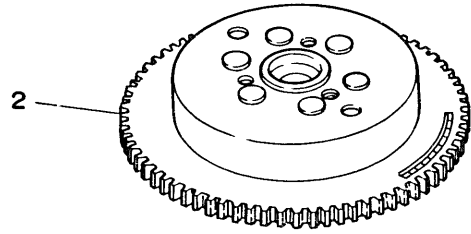
Ref.No.	Parts No.	Description	Q'ty	Ref.No.	Parts No.	Description	Q'ty
1	6J8-42610-20-EJ	TOP COWLING ASSY	1	7	90179-06M12	.NUT	4
2	6J8-42615-00	.SEAL	1	8	6J8-42677-00	.GRAPHIC, front	1
3	6J8-42651-00	.HOOK	1	9	6J8-42678-00	.GRAPHIC, rear	1
4	6J8-42652-00	.HOOK	1	10	6J8-W0070-20	.GRAPHIC SET	1
5	90266-04M00	.RIVET	4	11	6G1-42683-00	.MARK, cowling	1
6	6J8-42613-10-EJ	.MOLDING, air duct	1				



FWD

Fig. 19 GENERATOR (30DE MODEL)

Ref.No.	Parts No.	Description	Q'ty	Ref.No.	Parts No.	Description	Q'ty
1	6J8-85500-A0	C.D.I. MAGNETO ASSY	1	6	9299C-06100	..WASHER, spring	2
2	6J8-85550-A0	..ROTOR ASSY	1	7	6H4-85548-00	..HOLDER	1
3	6H4-85510-F0	..STATOR ASSY	1	8	98501-05008	..SCREW, pan head	1
4	6H4-85520-00	..COIL, charge	1	9	92990-05100	..WASHER, spring	1
5	97802-06020	..SCREW, pan head	2	10	6H4-85533-A0	..COIL, lighting	1



1

2

3

4

5

6

8

9

7

10

FWD

C7

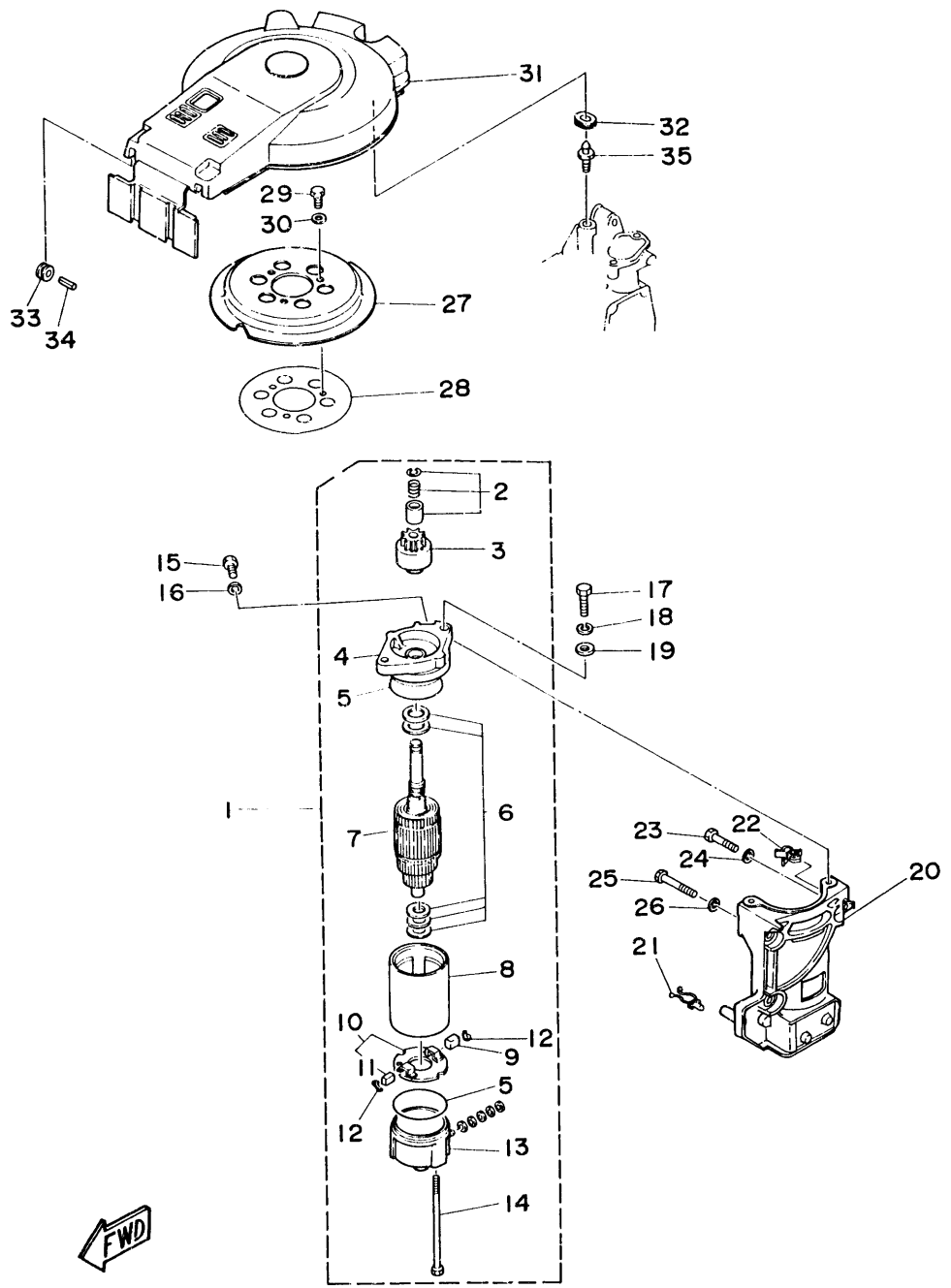


Fig. 20 STARTING MOTOR (30DE MODEL)

Ref.No.	Parts No.	Description	Qty	Ref.No.	Parts No.	Description	Qty
1	6F5-61800-10	STARTING MOTOR ASSY	1	19	92990-08600	WASHER, plate	2
2	689-81857-11	.RETAINER	1	20	6J8-81822-00-94	BRACKET, starting motor	1
3	689-81807-12	.GEAR ASSY, starting motor	1	21	90464-12M09	CLAMP	2
4	6F5-81830-10	.FRONT BRACKET ASSY	1	22	90464-03M15	CLAMP	1
5	689-81844-11	.GASKET	2	23	97313-08035	BOLT	2
6	689-81809-11	.WASHER KIT	1	24	92990-08600	WASHER, plate	2
7	689-81850-11	.ARMATURE ASSY	1	25	97313-08055	BOLT	1
8	689-81810-11	.STATOR ASSY	1	26	92990-08600	WASHER, plate	1
9	689-81811-11	.BRUSH 1	1	27	6J8-15723-E0	PULLEY, starter	1
10	689-81840-11	.BRUSH HOLDER ASSY	1	28	6J8-81365-00	GASKET, hole cover	1
11	689-81812-11	.BRUSH 2	1	29	97321-08014	BOLT	3
12	689-81813-10	.SPRING, brush	2	30	92990-08600	WASHER, plate	3
13	689-81820-11	.REAR BRACKET ASSY	1	31	6J8-81337-00	COVER, flywheel	1
14	689-81826-10	.BOLT	2	32	90480-14M17	GROMMET	1
15	97313-08016	BOLT	1	33	90480-10M16	GROMMET	2
16	92990-08600	WASHER, plate	1	34	91690-50022	PIN, spring	2
17	97313-08030	BOLT	2	35	6J8-81338-00	STAY	1
18	92990-08100	WASHER, spring	2				

D1

Fig. 21 ELECTRICAL 1 (30DE MODEL)

Ref.No.	Parts No.	Description	Q'ty	Ref.No.	Parts No.	Description	Q'ty
1	661-81941-10	STARTER RELAY ASSY	1	16	97313-06016	BOLT	2
2	661-81952-00	HOLDER, relay	1	17	92990-06600	WASHER, plate	2
3	6J8-81945-00	PLATE, switch fitting	1	18	93210-03261	O-RING	1
4	97313-06016	BOLT	1	19	6H3-82540-00	NEUTRAL SWITCH ASSY	1
5	92990-06600	WASHER, plate	1	20	6H4-82553-00	EXTENSION, wire lead	1
6	6F5-82117-00	WIRE, lead	1	21	6J8-82554-00	STAY, neutral switch	1
7	661-81970-60	RECTIFIER ASSY	1	22	97313-06012	BOLT	1
8	97803-05025	SCREW, pan head	1	23	90464-08M07	CLAMP	1
9	92990-05600	WASHER, plate	1	24	6J8-82580-00	WIRE HARNESS ASSY 2	1
10	6J8-81916-00	COVER, terminal	1	25	689-82105-12	WIRE HARNESS	1
11	98580-05010	SCREW, pan head	2	26	6J8-42724-50	GROMMET	1
12	92990-05600	WASHER, plate	2	27	6H4-42725-00	GROMMET	1
13	6J8-86110-00	SOLENOID	1	28	6J8-42726-20	GROMMET	1
14	6J8-86116-00	WIRE, pull	1	29	6J8-42726-10	GROMMET	1
15	682-86117-00	HOOK, wire pull	1				

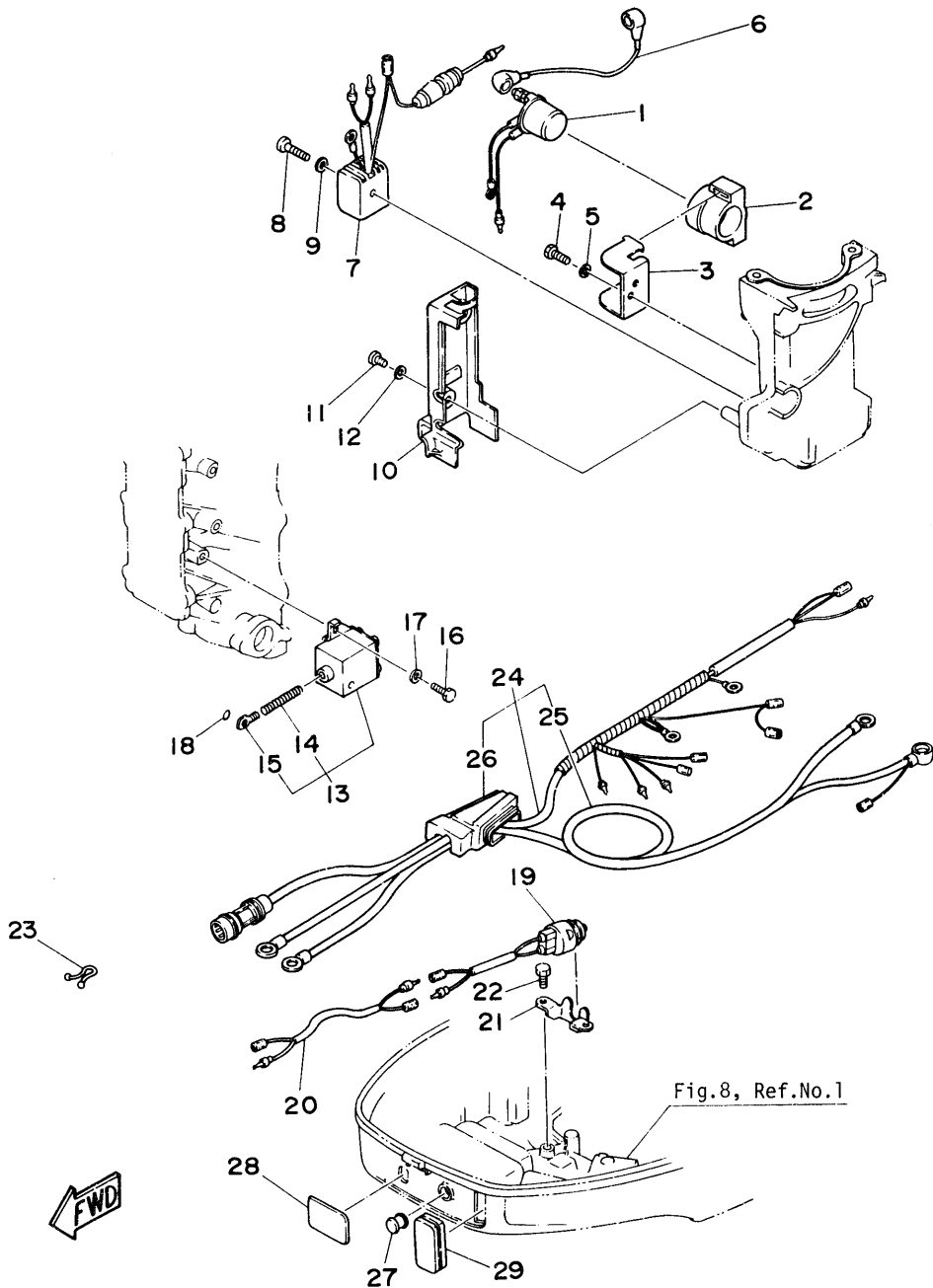
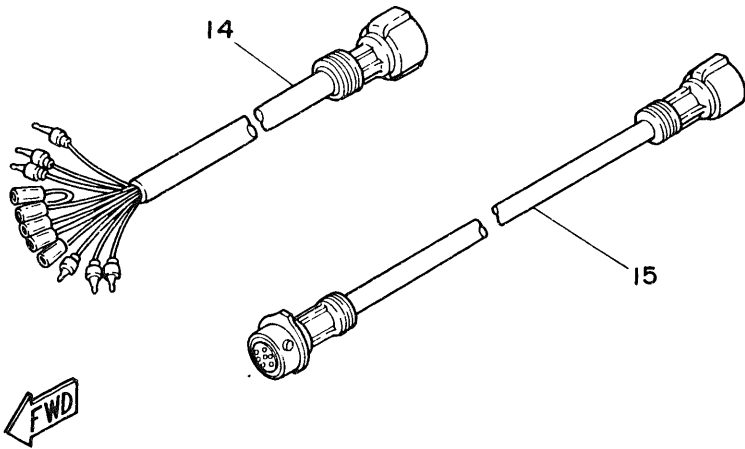
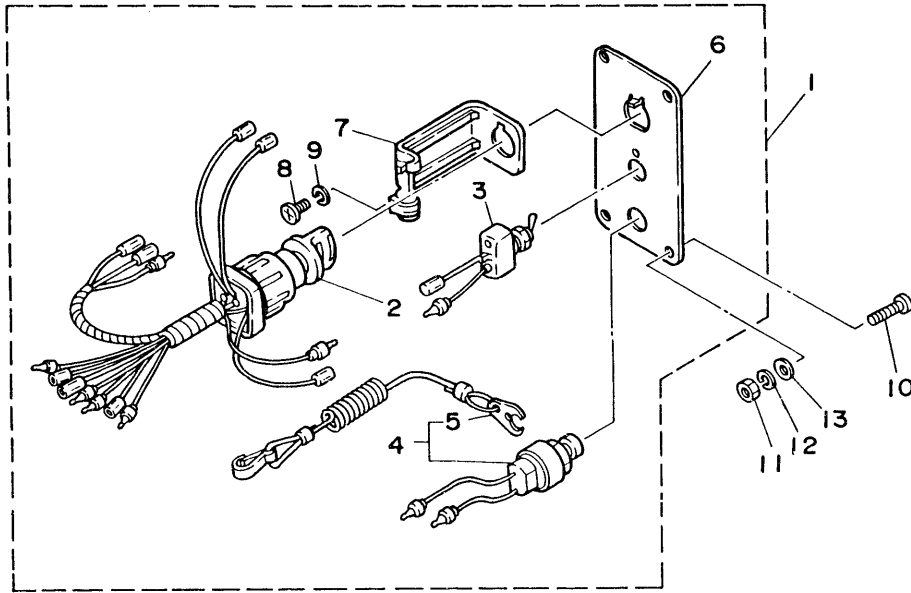
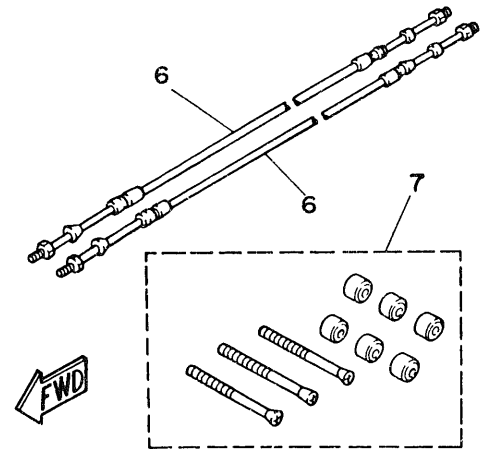
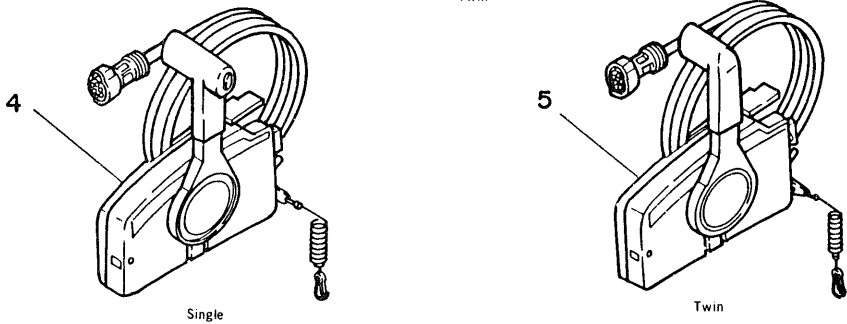
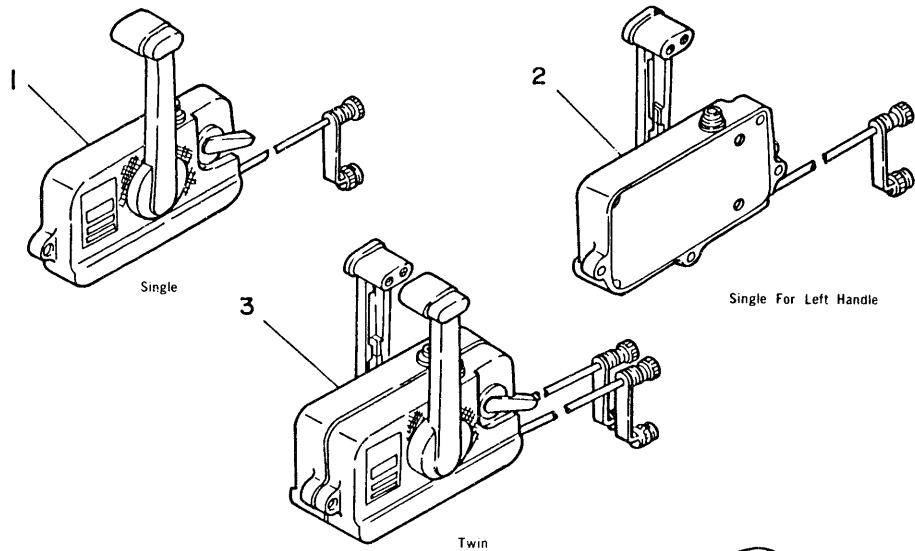


Fig. 22 ELECTRICAL 2 (30DE MODEL)

Ref.No.	Parts No.	Description	Q'ty	Ref.No.	Parts No.	Description	Q'ty
1	689-82570-14	PANEL SWITCH ASSY	1	9	92901-04100	.WASHER, spring	1
2	688-82510-11	.MAIN SWITCH ASSY	1	10	90149-05M05	SCREW	4
3	688-82574-00	.SWITCH, choke	1	11	95380-05600	NUT	4
4	688-82575-01	.KILL SWITCH ASSY	1	12	92990-05100	WASHER, spring	4
5	682-82556-00	..STOPPER	1	13	92990-05600	WASHER, plate	4
6	689-82571-02	.PANEL, switch	1	14	688-82586-21	EXTENSION, wire harness (1:5m) (7p)	1
7	663-82581-01	.STAY, cord clamp	1	15	688-82586-11	EXTENSION, wire harness (1:2m) (7p)	1 UR
8	97803-04008	.SCREW, pan head	1		688-82586-31	EXTENSION, wire harness (1:3m) (7p)	1 UR



D3

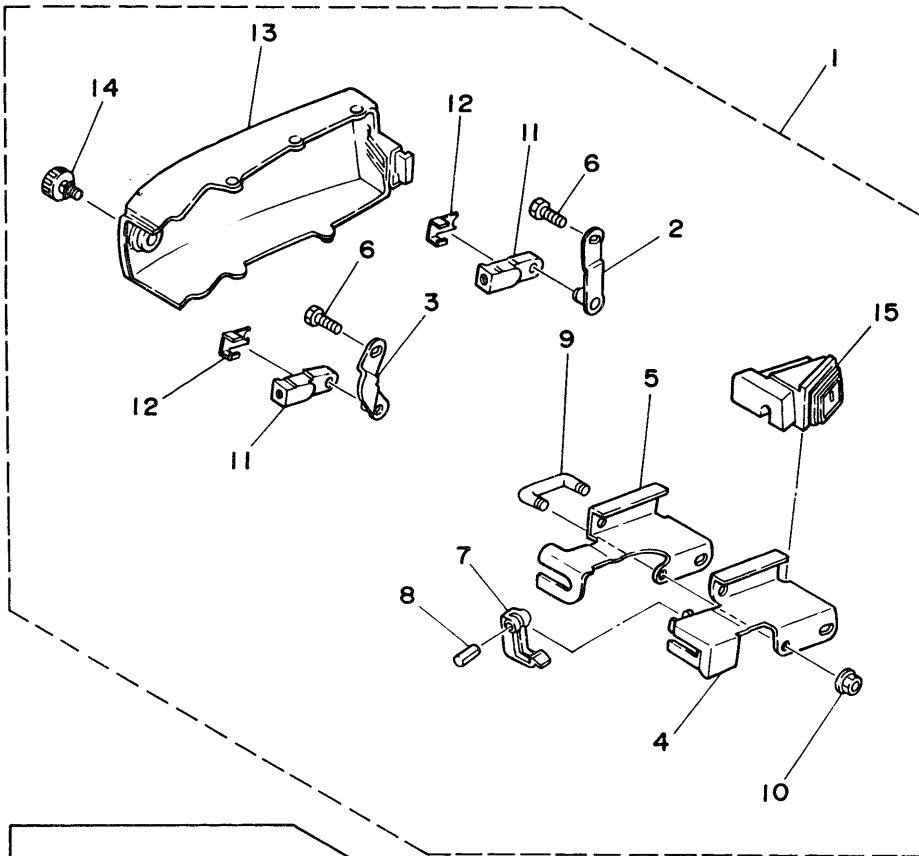


**Fig. 23 REMOTE CONTROL**

Ref.No.	Parts No.	Description	Q'ty	Ref.No.	Parts No.	Description	Q'ty	
* 1	701-48101-10	REMOTE CONTROL ASSY	1	6	701-48320-20	CABLE, remote control (1:13f)	2	
* 2	701-48102-10	REMOTE CONTROL ASSY	1		701-48320-30	CABLE, remote control (1:14f)	2	
* 3	701-48110-22	REMOTE CONTROL ASSY	1		701-48320-50	CABLE, remote control (1:15f)	2	
* 4	703-48230-10	REMOTE CONTROL ASSY	1		701-48320-60	CABLE, remote control (1:16f)	2	
* 5	703-48220-10	REMOTE CONTROL ASSY	1		701-48320-80	CABLE, remote control (1:17f)	2	
	6	701-48310-10	CABLE, remote control (1:6f)	2		701-48320-90	CABLE, remote control (1:18f)	2
		701-48310-20	CABLE, remote control (1:7f)	2		701-48320-40	CABLE, remote control (1:19f)	2
		701-48310-40	CABLE, remote control (1:8f)	2		701-48320-70	CABLE, remote control (1:20f)	2
		701-48310-60	CABLE, remote control (1:9f)	2		701-48350-00	CABLE, remote control (1:21f)	2
		701-48310-80	CABLE, remote control (1:10f)	2		701-48350-10	CABLE, remote control (1:22f)	2
		701-48310-90	CABLE, remote control (1:11f)	2		701-48350-20	CABLE, remote control (1:23f)	2
		701-48320-00	CABLE, remote control (1:12f)	2	7	703-48290-01	TWIN ATTACHMENT KIT (703 TYPE)	1

\* See Fig. 26, 27 for detail service parts.

Fig. 24 REMO-CON ATTACHMENT



Ref.No.	Parts No.	Description	Q'ty	Ref.No.	Parts No.	Description	Q'ty
1	6J8-48501-00-EJ	REMOTE CONT. ATTACHMENT ASSY	1	13	6J8-42723-20	.COVER, bottom	1
2	6J8-48534-00	.THROTTLE LEVER, control	1	14	6J8-42846-00	.SCREW (30DE Model)	1
3	6J8-48544-00	.LEVER, shift control	1	15	6J8-42724-10	.GROMMET	1
4	6J8-48531-00	.BRACKET, remote control 1	1	STEERING GUIDE/BALL POST TYPE			
5	6J8-48532-00	.BRACKET, remote control 2	1	16	6J8-48511-00-EJ	HOOK, steering	1
				ROPE TYPE			
6	97395-06016	.BOLT	2	17	6G8-48511-00	HOOK, steering	1
7	682-48538-50	.CLAMP, cable 1	1				
8	91690-30012	.PIN, spring	1	18	97395-06016	BOLT	2
9	90109-06M29	.BOLT	1	19	92990-06600	WASHER, plate	2
10	90179-06M12	.NUT	2	BALL POST TYPE			
11	6G8-26363-00	.END, cable	2	20	6G8-48511-10	HOOK, steering	1
12	6G8-26364-00	.END, cable 2	2	21	97395-06016	BOLT	2
				22	92990-06600	WASHER, plate	2

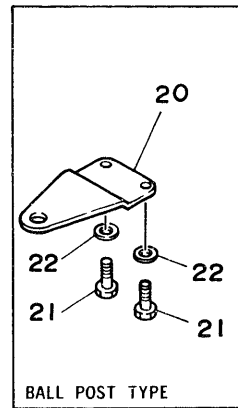
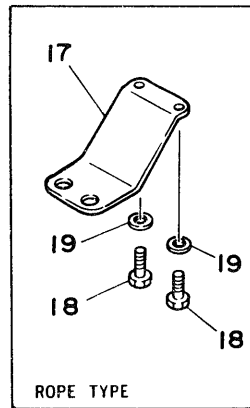
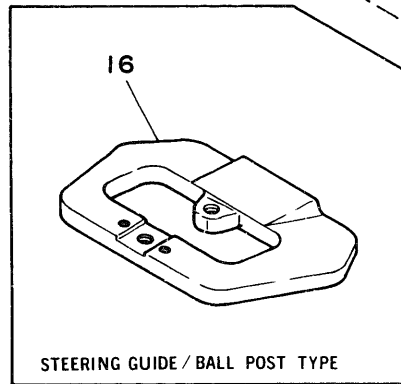
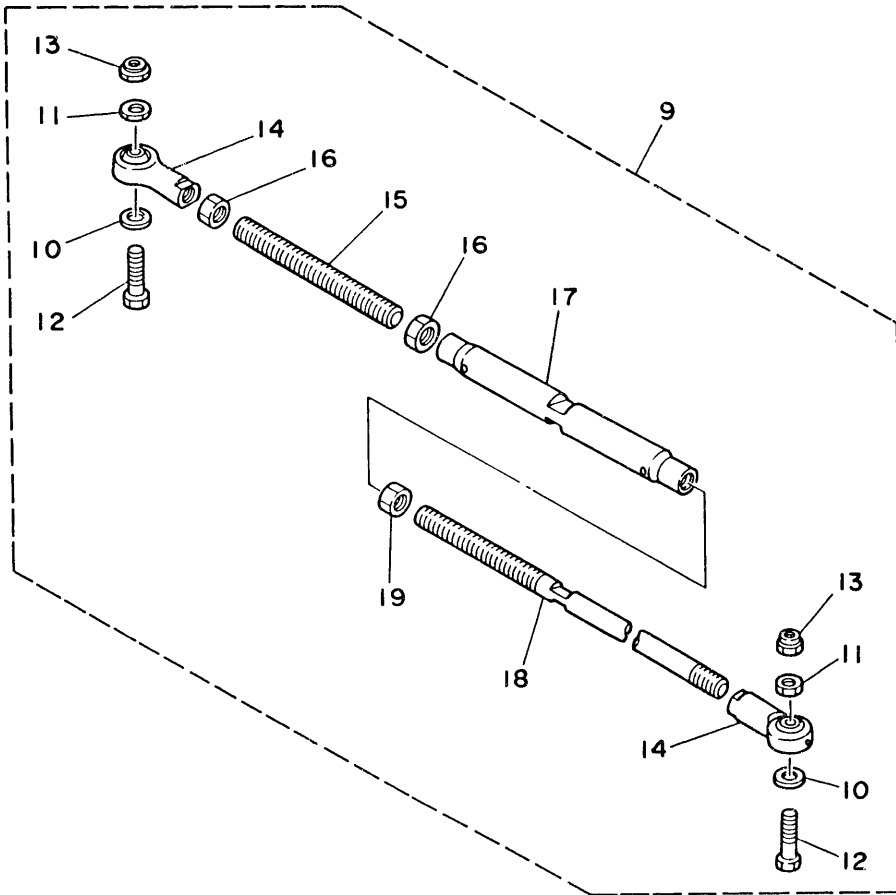
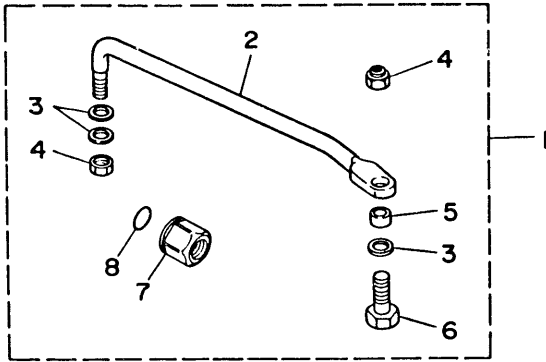


Fig. 25 STEERING GUIDE ATTACHMENT

Ref.No.	Parts No.	Description	Q'ty	Ref.No.	Parts No.	Description	Q'ty
1	689-61350-02	STEERING GUIDE ATTACHMENT KIT	1	11	90170-09M05	.NUT	2
2	689-61351-01	.ROD, steering link	1	12	90101-09M70	.BOLT	2
3	90201-10M20	.WASHER, plate	3	13	90185-09M01	.NUT, self-locking	2
4	90185-09M01	.NUT, self-locking	2	14	6E5-61303-00	.STEERING EYE COMP.	2
5	90387-10M61	.COLLAR	1	15	6E5-61315-00	.TIE BAR	1
6	90101-09M70	.BOLT	1	16	95380-14700	.NUT	2
7	6E5-43145-00	.CAP, clamp bracket	1	17	6E5-61313-00	.ADJUSTER	1
8	93210-16275	.O-RING	1	18	688-61311-10	.TIE BAR	1
9	688-61301-00	TWIN KIT	1	19	90170-14M06	.NUT	1
10	90201-10M76	.WASHER, plate	2				



D6

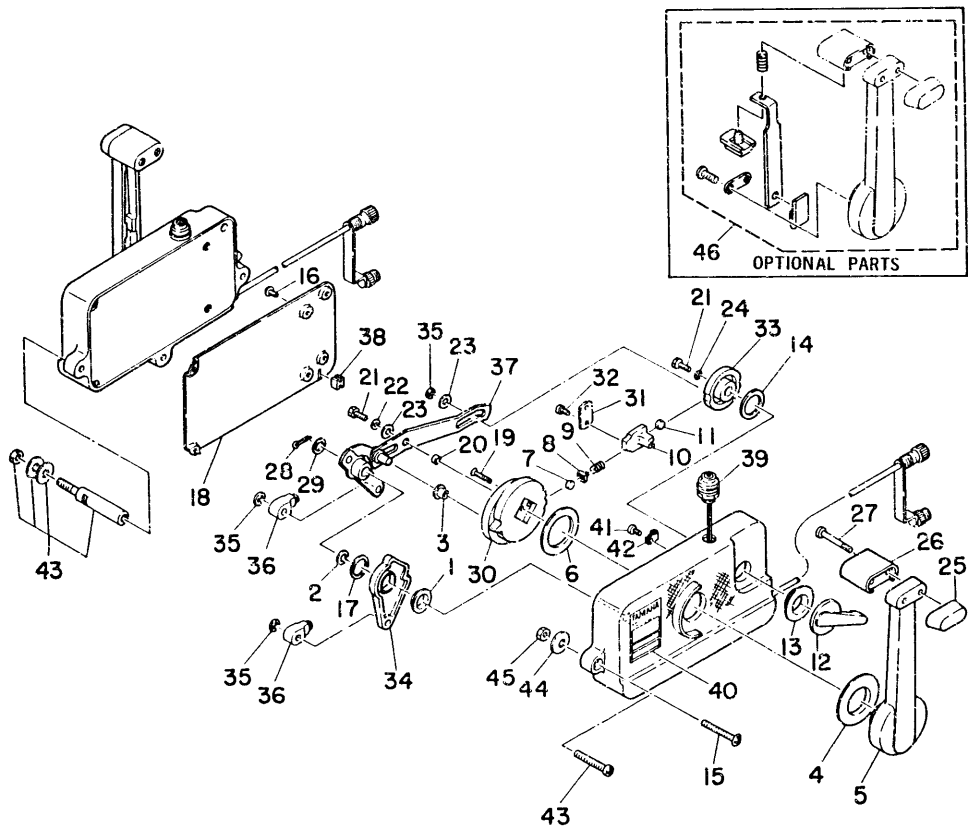


Fig. 26 REMOTE CONTROL ASS'Y (701 TYPE)

Ref.No.	Parts No.	Description	Q'ty	Ref.No.	Parts No.	Description	Q'ty
	701-48101-10	REMOTE CONTROL ASSY (Right)	1	23	701-48246-00	.SPACER	2
	701-48102-10	REMOTE CONTROL ASSY (Left)	1	24	92990-06300	.WASHER, internal tooth	1
	701-48110-22	REMOTE CONTROL ASSY (For Twin)	1	25	701-48229-00	.GRIP, control lever	1
1	701-48235-00	.BUSHING	1	26	701-48222-00	.GRIP, control lever	1
2	701-48197-10	.WASHER, wave	1	27	701-48202-00	.SCREW	2
3	701-48252-00	.ROLLER, cam	1	28	701-48239-00	.SET PIN, plate	1
4	701-48234-00	.BUSHING 1	1	29	701-48266-00	.SPACER	1
5	701-48221-00	.LEVER, control	1	30	701-48232-00	.GEAR	1
6	701-48196-11	.WASHER, wave	1	31	701-48189-11	.RETAINER	1
7	701-48236-00	.ROLLER, detent	1	32	98580-05010	.SCREW, pan head	2
8	702-48237-00	.ADAPTOR	1	33	701-48153-12	.SHAFT, free accel.	1
9	702-48238-00	.SPRING, detent	1	34	701-48271-00	.ARM, shift (Right)	1 UR
10	701-48249-00	.ADAPTOR, spring	1		701-48271-10	.ARM, shift (Left) (For Twin)	1 UR
11	701-48248-00	.ROLLER, free accel.	1	35	93430-06024	.CIRCLIP	3
12	701-48152-11	.KNOB, free accel. (Right)	1 UR	36	701-48345-30	.CABLE END, remote control 2	2
	701-48152-20	.KNOB, free accel. (Left) (For Twin)	1 UR	37	701-48261-00	.ARM, throttle (Right)	1 UR
13	701-48243-00	.BUSHING	1		701-48261-10	.ARM, throttle (Left) (For Twin)	1 UR
14	701-48198-10	.WASHER, wave	1	38	701-48358-00	.ANCHOR, cable	1
15	701-48281-00	.SCREW (For Single)	3	39	701-82550-50	.STOP SWITCH ASSY	1
16	701-48289-00	.SCREW	4	40	701-48126-00	.GRAPHIC	1
17	701-48268-00	.SPACER	1	41	701-48283-00	.SCREW	1
18	701-48213-00	.PLATE	1	42	701-82594-00	.CLAMP	1
19	92780-06025	.SCREW, flat head	2	43	701-48291-00	.ATTACHMENT (For Twin)	1
20	701-48255-00	.COLLAR	1	44	701-48287-00	.WASHER (For Single)	3
21	97395-06018	.BOLT	2	45	95389-06600	.NUT (For Single)	3
						OPTIONAL PARTS	
22	702-48288-00	.WASHER, plain	1	46	701-48280-00	NEUTRAL LOCK KIT	1

FWD

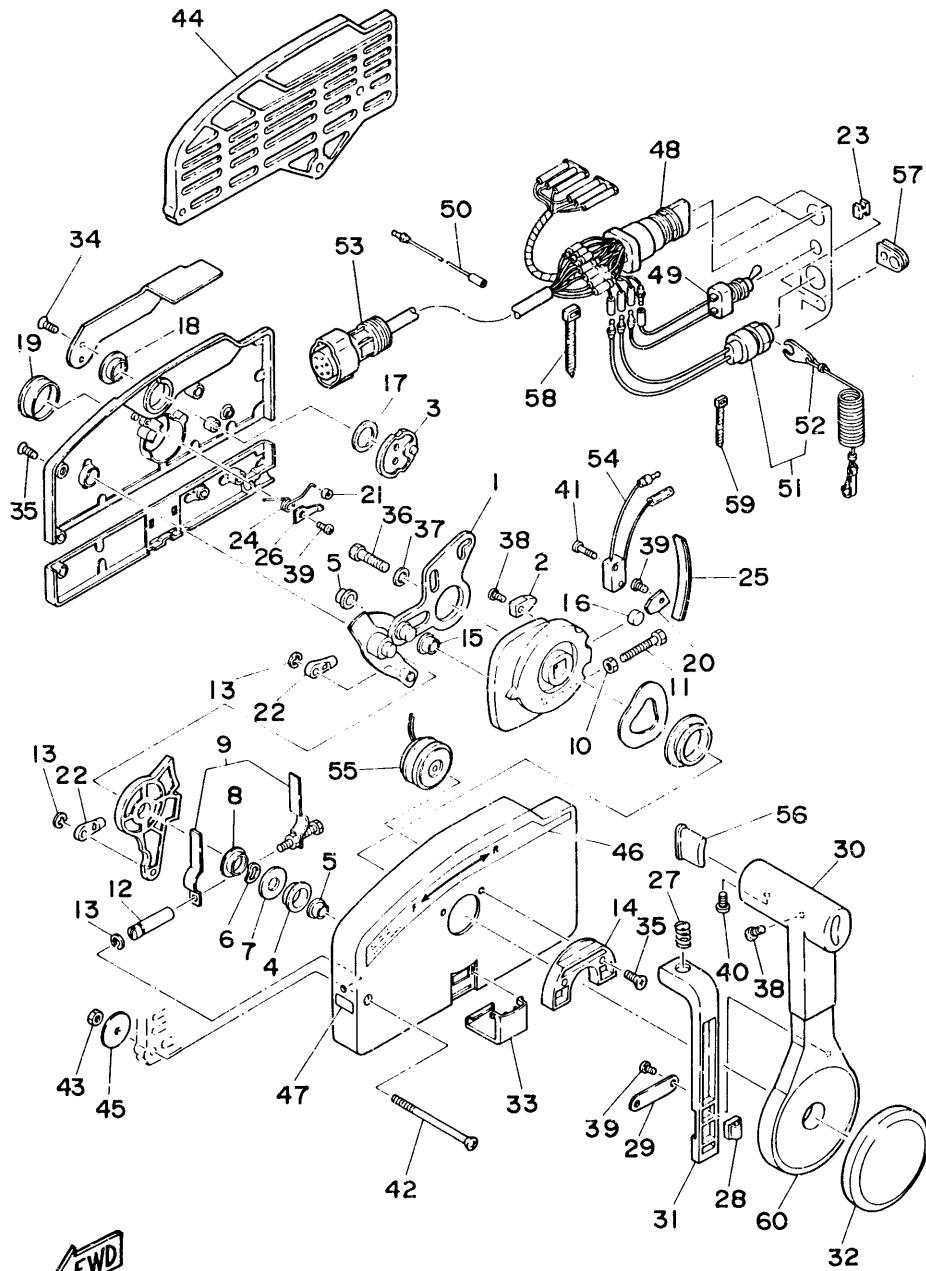


Fig. 27 REMOTE CONTROL ASS'Y (703 TYPE)

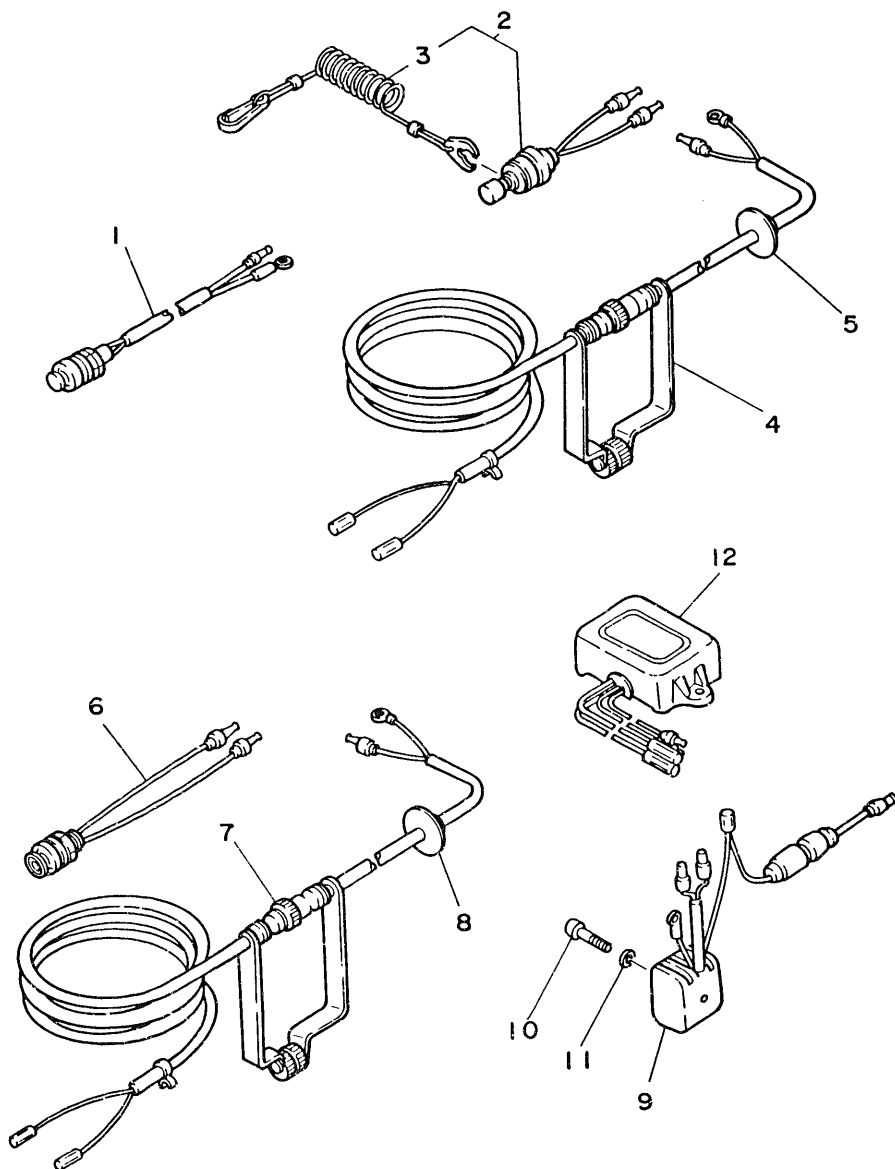
Ref.No.	Parts No.	Description	Q'ty	Ref.No.	Parts No.	Description	Q'ty
	703-48230-10	REMOTE CONTROL ASSY	1	30	703-48222-10	.GRIP, control lever (For Twin)	1 UR
	703-48220-10	REMOTE CONTROL ASSY (For Twin)	1	31	703-48223-00	.LOCK, neutral	1
1	703-48261-00	.ARM, throttle	1	32	703-48225-00	.COVER	1
2	703-82554-00	.STAY, neutral switch	1	33	703-48219-00	.COVER, lead	1
3	703-48153-00	.SHAFT, free accel.	1	34	98780-05012	.SCREW, flat head	2
4	702-48235-00	.BUSHING	1	35	98780-05016	.SCREW, flat head	7
5	703-48273-00	.BUSHING	2	36	97380-08030	.BOLT	1
6	703-48197-00	.WASHER, wave	1	37	92990-08600	.WASHER, plate	1
7	703-48268-00	.SPACER	1	38	98580-04010	.SCREW, pan head	2
8	703-48263-00	.BUSHING	1	39	98580-04006	.SCREW, pan head	4
9	703-48264-00	.THROTTLE, friction	1	40	98580-05010	.SCREW, pan head	1
10	95380-05600	.NUT	1	41	98580-03015	.SCREW, pan head	2
11	97380-05025	.BOLT	1	42	92680-06090	.SCREW, oval head	3
12	703-48265-00	.SHAFT, friction	1	43	95380-06600	.NUT	3
13	93430-06024	.CIRCLIP	3	44	703-48293-10	.SPACER, remote control	1 UR
14	703-48245-00	.PLATE, lock	1	703-48293-00	.SPACER, remote control(For Twin)	3 UR	
15	703-48252-00	.ROLLER, cam	1	45	701-48287-00	.WASHER	3
16	701-48248-00	.ROLLER, free accel.	1	46	703-48215-00	.GRAPHIC	1
17	703-48198-00	.WASHER, wave	1	47	702-48217-00	.MARK	1
18	703-48243-00	.BUSHING	1	48	703-82510-01	.MAIN SWITCH ASSY	1
19	703-48236-00	.ROLLER, detent	2	49	703-82531-00	.WIRE, lead	1
20	703-48189-00	.RETAINER	1	50	688-82574-00	.SWITCH, choke	1
21	703-48234-00	.BUSHING 1	1	51	688-82575-01	.KILL SWITCH ASSY	1
22	703-48345-00	.CABLE END, remote control 2	2	52	682-82556-00	.STOPPER	1
23	703-48358-00	.ANCHOR, cable	1	53	688-82586-2i	.EXTENSION, wire harness	1
24	703-48244-00	.SPRING, free accel.	1	54	703-82540-00	.NEUTRAL SWITCH ASSY	1
25	703-48238-00	.SPRING, detent	5	55	703-83383-00	.BUZZER	1
26	703-48246-00	.SPACER	1	56	703-48224-00	.COVER, control lever	1
27	703-48227-00	.SPRING, neutral lock	1	57	703-48284-00	.GROMMET	1
28	703-82594-00	.CLAMP	1	58	703-82591-00	.BAND	2
29	703-48226-00	.PLATE, stopper	1	59	703-82592-00	.BAND	1
30	703-48222-00	.GRIP, control lever	1 UR	60	703-48221-00	.LEVER, control	1

FWD

E1

Fig. 28 OPTIONAL PARTS 1

Ref.No.	Parts No.	Description	Q'ty	Ref.No.	Parts No.	Description	Q'ty
1	689-82550-01	STOP SWITCH ASSY	1	7	6A0-82553-20	EXTENSION, wire lead	1
2	689-82575-12	KILL SWITCH ASSY	1	8	689-42725-40	GROMMET	1
3	682-82556-00	.STOPPER	1	9	6G1-81970-60	RECTIFIER ASSY	1
4	6A0-82553-20	EXTENSION, wire lead	1	10	97803-05025	SCREW, pan head	1
5	689-42725-40	GROMMET	1	11	92990-05600	WASHER, plate	1
6	689-82550-11	STOP SWITCH ASSY	1	12	663-81910-10	VOLTAGE REGULATOR ASSY	1



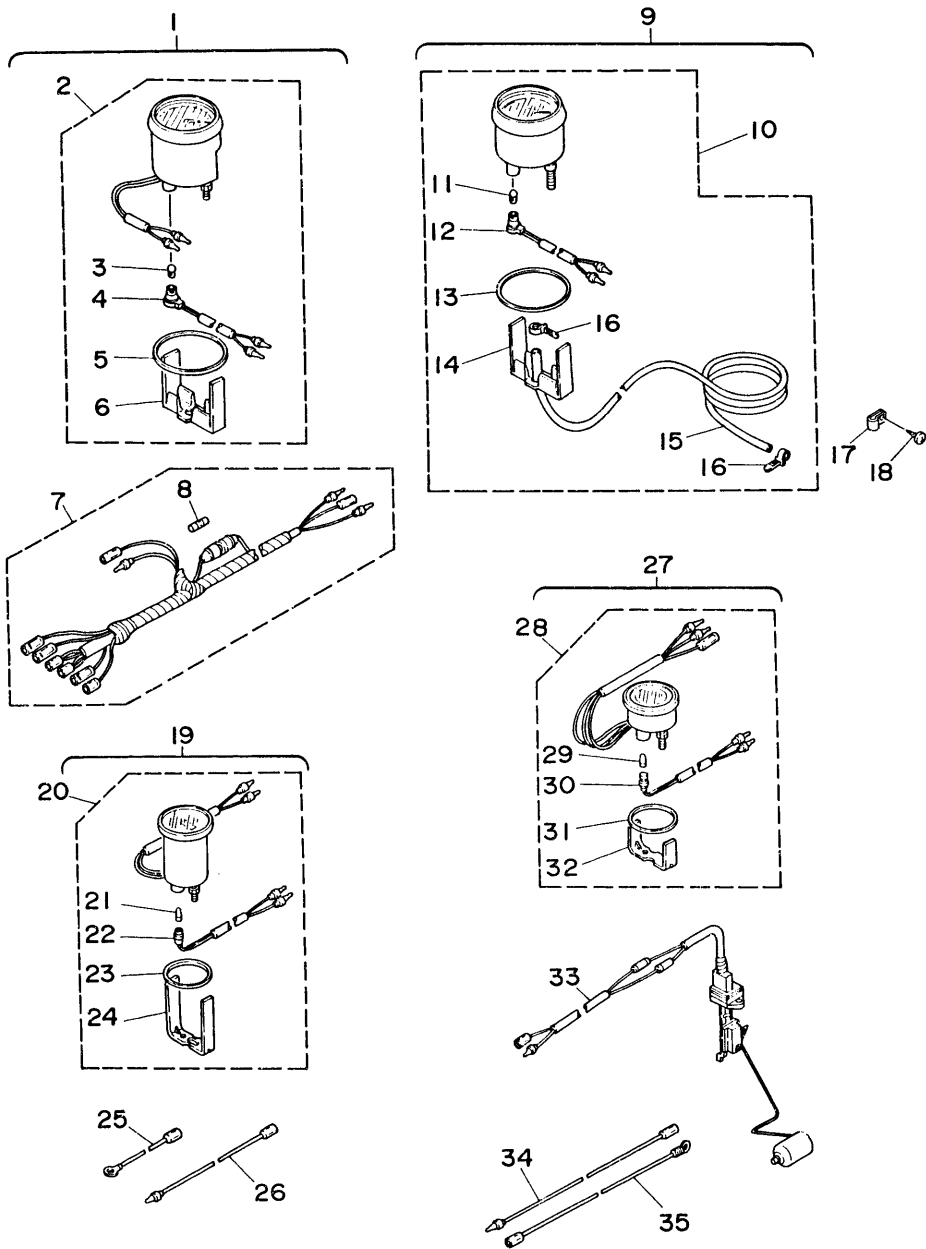


Fig. 29 OPTIONAL PARTS 2

Ref.No.	Parts No.	Description	Q'ty	Ref.No.	Parts No.	Description	Q'ty
1	6Y5-W0080-10	TACHOMETER KIT	1	19	6Y5-W0088-30	HOUR METER KIT	1
2	6Y5-83540-10	.TACHOMETER ASSY	1	20	6Y5-83504-00	.HOUR METER ASSY	1
3	688-83516-00	..BULB	1	21	6Y5-83518-00	..BULB, meter	1
4	688-83536-00	..SOCKET, meter	1	22	6Y5-83536-00	..SOCKET, meter	1
5	6Y5-83523-00	..DAMPER	1	23	688-83664-00	..DAMPER	1
6	6Y5-83514-00	..PLATE, fitting	1	24	688-83577-00	..PLATE, fitting	1
7	6Y5-83553-00	.WIRE, lead	1	25	663-83553-A0	.WIRE, lead	1
8	1E6-82151-00	..FUSE (10A)	1	26	663-83553-Y0	.WIRE, lead	1
9	6Y5-W0081-30	SPEEDOMETER KIT	1	27	6Y5-W0088-20	FUEL METER KIT	1
10	6Y5-83510-30	.SPEEDOMETER ASSY	1	28	6Y5-85750-00	.FUEL METER ASSY	1
11	688-83516-00	..BULB	1	29	6Y5-83518-00	..BULB, meter	1
12	688-83536-00	..SOCKET, meter	1	30	6Y5-83536-00	..SOCKET, meter	1
13	6Y5-83523-00	..DAMPER	1	31	688-83664-00	..DAMPER	1
14	6Y5-83514-00	..PLATE, fitting	1	32	688-85756-00	..PLATE, fitting	1
15	688-83557-00	..TUBE	1	33	688-85752-01	.SENDER UNIT ASSY, fuel meter	1
16	90465-11M10	..CLAMP	2	34	663-83553-Y0	.WIRE, lead	1
17	90601-31402	.NYLON CLIP 1	5	35	663-83553-A0	.WIRE, lead	1
18	97780-40116	..SCREW, tapping	5				

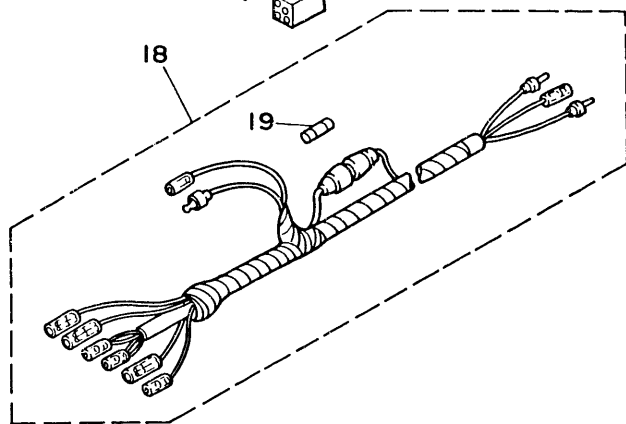
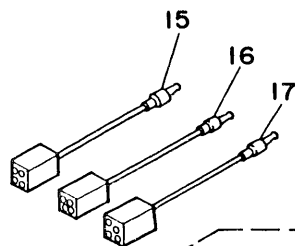
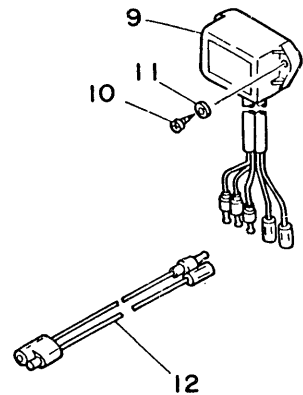
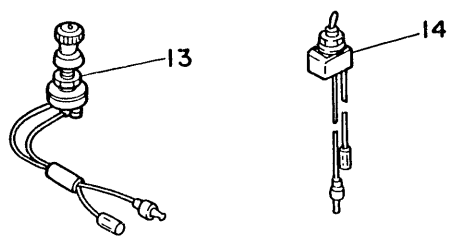
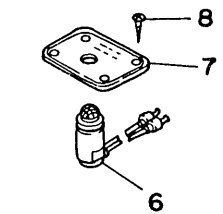
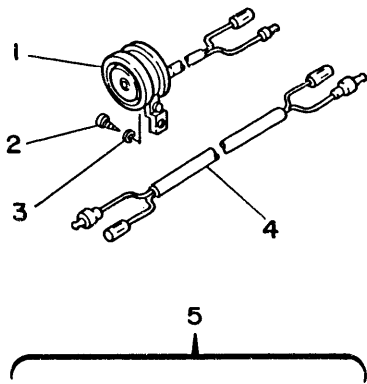


Fig. 30 OPTIONAL PARTS 3

Ref.No.	Parts No.	Description	Q'ty	Ref.No.	Parts No	Description	Q'ty
1	688-83383-11	BUZZER	1	11	92990-06600	.WASHER, plate	2
2	97780-60516	SCREW, tapping	1	12	663-82521-09	.WIRE, lead	1
3	92990-05600	WASHER, plate	1	13	688-82520-00	LIGHT SWITCH ASSY	1
4	688-83373-10	LEAD, horn	1	14	688-82526-00	SWITCH, lamp	1
5	688-W0088-40	PILOT LAMP KIT	1	15	688-82149-00	WIRE, lead 3	1
6	663-84301-01	.PILOT LIGHT ASSY 1	1	16	688-82117-00	WIRE, lead	1
7	663-84309-00	.PLATE, set	1	17	688-82521-00	WIRE, lead	1
8	95428-31316	.SCREW, wood	4	18	6Y5-83553-00	WIRE, lead	1
9	697-81901-60	.CHARGE WARNING UNIT ASSY	1	19	1E6-82151-00	.FUSE (10A)	1
10	97780-60120	.SCREW, tapping	2				

**Fig. 31 REPAIR KIT**

Ref.No.	Parts No.	Description	Q'ty	Ref.No.	Parts No.	Description	Q'ty
1	6J8-W0001-00	POWER HEAD GASKET KIT	1	27	97803-04012	.SCREW, pan head	3
2	93101-25M28	.OIL SEAL	1	28	92903-04100	.WASHER, spring	3
3	93104-16M04	.OIL SEAL	2	29	6J8-W0001-20	LOWER UNIT GASKET KIT	1
4	93210-56M80	.O-RING	1	30	6J8-45114-00	.GASKET, upper casing	1
5	6J8-11181-00	.GASKET, cylinder head 1	1	31	6J8-41134-00	.GASKET, exhaust manifold	1
6	6J8-11193-00	.GASKET, head cover 1	1	32	90430-08020	.GASKET	2
7	6H4-12414-00	.GASKET, cover	1	33	663-44315-00	.GASKET, water pump	1
8	6J8-41114-00	.GASKET, exhaust outer cover	2	34	93101-23070	.OIL SEAL	2
9	93102-26M27	.OIL SEAL	1	35	93210-41042	.O-RING	1
10	6J8-13621-00	.GASKET, valve seat	1	36	663-44316-00	.GASKET, water pump	1
11	6J8-14984-00	.GASKET, float chamber	3	37	663-44324-00	.GASKET, cartridge	1
12	6J8-14198-00	.GASKET	3	38	93210-60M17	.O-RING	1
13	93210-37M25	.O-RING	1	39	93101-20M07	.OIL SEAL	2
14	6J8-45113-00	.GASKET, upper casing	1	40	6J8-W0078-00	WATER PUMP REPAIR KIT	1
15	93210-42159	.O-RING	1	41	663-44322-00	.INSERT, cartridge	1
16	6J8-W0093-00	CARBURETOR RERAIR KIT	1	42	6H4-44352-00	.IMPELLER	1
17	6J8-14198-00	.GASKET	3	43	663-44315-00	.GASKET, water pump	1
18	6J8-14984-00	.GASKET, float chamber	3	44	663-44323-00	.OUTER PLATE, cartridge	1
19	6J8-14995-00	.GASKET	3	45	663-44324-00	.GASKET, cartridge	1
20	6J8-14985-00	.FLOAT	3	46	663-44316-00	.GASKET, water pump	1
21	6J8-14546-00	.VALVE, needle	3	47	97395-08050	.BOLT	2
22	6J8-14159-00	.CLIP	3	48	97395-08040	.BOLT	2
23	6J8-14548-00	.PIN, float arm	3	49	6H4-W0078-0A	WATER PUMP REPAIR KIT	1
24	6J8-14966-00	.PLUG	3	50	670-44322-01	.INSERT, cartridge	1
25	6J8-14126-00	.PLUG	3	51	670-44321-00	.INNER PLATE, cartridge	1
26	6J8-14118-00	.PLUG	3	52	670-44323-00	.OUTER PLATE, cartridge	1

NUMERICAL INDEX

PART NO.	REF. NO.	PART NO.	REF. NO.	PART NO.	REF. NO.	PART NO.	REF. NO.	PART NO.	REF. NO.	PART NO.	REF. NO.
6J8-W0001-00	31- 1	6J8-14126-00	4-15	677-15717-01	5-19	6E0-28193-00-94	6-39	6J8-42615-00	18- 2	682-43318-01	10- 5
6J8-W0001-20	31-29		31-25	6J8-15723-E0	20-27	6J8-41111-00-9M	1-31	6J8-42651-00	7- 3		10-35
6J8-W0004-00	3- 2	6J8-14159-00	4-10	6J8-15723-00	5-48	6J8-41113-00-9M	1-29		18- 3	689-43373-01	9-21
6J8-W0070-J0	7-10		31-22	676-15741-03	5-23	6J8-41114-00	1-32	6J8-42652-00	7- 4		12-26
6J8-W0070-20	18-10	6J8-14198-00	3- 9	6J8-15746-00	5-34		31- 8		18- 4	6J8-43611-00	10-19
6H4-W0078-0A	31-49		31-12	6F5-15747-00	5-38	6J8-41131-00-9M	13- 8	6J8-42677-00	7- 8	6J8-43613-00	10-17
6J8-W0078-0G	31-40		31-17	656-15748-00	5-31	6J8-41134-00	13- 7		18- 8	6J8-43614-00	10-15
6Y5-W0080-10	29- 1	6J8-14301-00	4- 1	6F5-15752-00	5- 9		31-31	6J8-42678-00	7- 9	6J8-43615-00	10-16
6Y5-W0081-30	29- 9	6J8-14302-00	4- 2	6F5-15753-00	5-10	6J8-41137-00-94	13- 5		18- 9	6H4-43616-00	10-28
6J8-W0084-00-EJ	11- 1	6J8-14303-00	4- 3	619-15755-01	5-14	6J8-41213-00	12- 2	6G1-42683-00	18-11	6J8-43617-00	10-31
6Y5-W0088-20	29-27	6J8-14334-00	4-28	6J8-15758-00-EJ	5- 4	6J8-41217-00	3-25	6J8-42711-00-EJ	8- 1	6J8-43627-00	10-10
6Y5-W0088-30	29-19	6J8-14417-00	3-11	6J8-15762-00	5- 7	682-41237-00	12- 9	6J8-42716-00	8-14	6H4-43631-01	10-26
688-W0088-40	30- 5	6J8-14418-00	3-12	6J8-15770-00	5-33		12-28	6J8-42719-00	8-23	682-43641-00	10-29
6J8-W0090-50-EJ	1- 1	6J8-14476-00	3-13	6J8-15771-00-94	5-40	6J8-41257-00	3-21	6J8-42719-10	8-23	689-43643-00	10-27
6J8-W0093-00	31-16	6J8-14483-00	3-15	6J8-15772-00	5-41	6J8-41259-00	3-18	6J8-42723-J0	8-21	6H4-43659-00	10-18
6J8-1111J-00	1-33	624-14485-00	1- 4	6J8-15774-00	5-39	6J8-41262-00	3-22	6J8-42723-20	8-21	6H4-43674-00	10-24
6J8-11111-00-94	1-18	6J8-14497-00	12- 1	689-15779-01	5-15	661-41262-02	3-19		24-13	6J8-43681-00	10-33
6F5-11119-00	1- 9	6J8-14523-00	4-27	6J8-15787-00	5-13		5-47	6J8-42724-00	8-11	6G8-43691-00	9-17
6J8-11181-00	1-19	6J8-14527-00	4-17	6A0-15789-00	5- 8	6J8-41271-00	3-20	6J8-42724-10	24-15	6J8-44111-00-EJ	11-26
	31- 5	6J8-14546-00	4- 9	6Y1-24203-82-24	6- 1	689-41273-00	3-23	6J8-42724-50	21-26	6G1-44116-01	12-19
6J8-11191-00-9M	1-20		31-21	6Y1-24246-00	6- 2	6J8-41274-00	3-24	6H4-42725-00	21-27	6J8-44121-00	12-15
6J8-11193-00	1-21	6J8-14548-00	4-11	6Y1-24255-80	6- 3	6H4-41611-00	16-15	689-42725-40	28- 5	6J8-44123-00	12-11
	31- 6		31-23	6Y1-24257-00	6- 4	6J8-41615-00	16-16		28- 8	6J8-44124-00	11-31
6J8-11325-00	1-11	6J8-14555-00	4-19	6Y1-24260-01	6- 6	6J8-41618-00	16-17	6J8-42726-00	8-12	6J8-44125-00	11-27
6H3-11327-00-94	1-12	6J8-14578-00	4-38	6Y1-24268-00	6- 7	6J8-41631-00	12- 7	6J8-42726-10	21-29	682-44132-00	11-28
6H3-11328-00	1-13	6J8-14592-00	4-25	6G1-24304-00	6-19	6G1-41662-01-94	12-16	6J8-42726-20	21-28	6J8-44142-00	12-33
650-11370-00	1- 3	6J8-14737-00	13- 9	6G1-24305-00	6-15	6G1-42111-03-EJ	11- 2	6G1-42727-00	8-10	6J8-44143-00	12-22
676-11372-00	1-30	6J8-1492E-51	4-14	6Y1-24305-01	6-17	664-42119-00	11-14	6J8-42728-20	8- 9	682-44147-00	14-12
6J8-11400-00	2- 1	6J8-1492F-25	4-12	6Y1-24306-04	6-10	6J8-42121-00-EJ	9-30	6J8-42735-00	8-22	6J8-44150-00	14-11
6J8-11445-00	2- 2	6J8-14923-00	4-18	6J8-24311-00	6-31	6G1-42125-01	11-10	6J8-42741-20	8-19	6J8-44150-10	14-11
6J8-11610-00	2- 9	6J8-14966-00	4-13	6A4-24312-00	6-29	6G1-42126-00	11-11	6A1-42792-01	8-24	6J8-44173-00	12-36
6J8-11610-10	2- 9		31-24	688-24313-00	6-30	6G1-42131-00	11- 8	6J8-42815-00-EJ	8- 2	682-44176-00	14- 9
6J8-11610-20	2- 9	6J8-14980-00	4- 5	6Y1-24329-00	6- 8	6J8-42137-00	11-16	6J8-42816-00	8- 6	6E0-44191-11	11- 3
6J8-11631-00-97	2- 8	6J8-14981-00	4-29	650-24351-00	6-14	6G1-42138-01	11-22	6J8-42831-00	8- 8	6J8-44311-00	14-14
6J8-11633-00	2-10	6J8-14984-00	4- 4	6Y1-24360-01	6-12	6J8-42154-00	12-30	6J8-42846-00	8-25	663-44315-00	14-17
4V2-11634-00	2-13		31-11	6J8-24412-00	4-31	6E0-42159-00	11-23		24-14		31-33
6J8-11635-00	2- 8		31-18	6J8-24432-00	4-32	6J8-42167-00	12- 6	6H4-43111-03-EJ	9- 1		31-43
6J8-11636-00	2- 8	6J8-14985-00	4- 8	6J8-24452-00	4-33	6J8-42169-00	12-35	6H4-43112-02-EJ	9- 2	663-44316-00	14-23
6E5-12411-00	1-24		31-20	6J8-24471-00	4-30	689-42169-01	12- 8	6J8-43113-00	9- 9		31-36
6H4-12413-00-9M	1-25	6J8-14991-00	4- 6	655-24521-01	6-27	6G1-42177-00	11-15	648-43114-01	9- 6		31-46
6H4-12414-00	1-26	6J8-14995-00	4- 7	655-24560-01	6-24	6J8-42192-00	12-27	616-43118-00-EJ	9- 3	670-44321-00	31-51
	31- 7		31-19	6F5-24563-00	6-25	6J8-42510-00-EJ	9-23	6J8-43131-00	9- 7	663-44322-00	14-15
6J8-13610-00	3- 1	6J8-15100-00-94	1- 2	6Y1-24610-00	6- 5	6H4-42528-00	9-20	6E5-43145-00	25- 7		31-41
6J8-13621-00	3- 6	6J8-15396-00-9M	2-14	6J8-26301-00	11-25	6J8-42610-J0-EJ	7- 1	663-43145-00	9-11	670-44322-01	31-50
	31-10	6J8-15705-00	5-25	6G8-26363-00	24-11	6J8-42610-20-EJ	18- 1	6H4-43160-00	10- 1	663-44323-00	14-24
6J8-13641-00-94	3- 5	6J8-15710-00	5- 1	6G8-26364-00	24-12	6J8-42613-00-EJ	7- 6	676-43165-00	10- 2		31-44
6J8-14118-00	4-16	6J8-15711-00	5- 2	6E0-28100-00	6-33	6J8-42613-10-EJ	18- 6	6J8-43181-00	10- 4	670-44323-00	31-52
	31-26	6J8-15714-00	5-17	6J8-28170-00	6-34	6J8-42615-00	7- 2	6J8-43311-00-EJ	9-16	663-44324-00	14-25

NUMERICAL INDEX

PART NO.	REF. NO.	PART NO.	REF. NO.	PART NO.	REF. NO.	PART NO.	REF. NO.	PART NO.	REF. NO.	PART NO.	REF. NO.
663-44324-00	31-37	664-45576-00	14-47	703-48223-00	27-31	701-48287-00	27-45	6J8-81365-00	20-28	703-82554-00	27- 2
	31-45	664-45577-00-05	14-46	703-48224-00	27-56	702-48288-00	26-22	6F5-81800-10	20- 1	682-82556-00	8-27
663-44341-00-94	14-20	664-45577-00-08	14-46	703-48225-00	27-32	701-48289-00	26-16	689-81807-12	20- 3		22- 5
6H4-44352-00	14-16	664-45577-00-12	14-46	703-48226-00	27-29	703-48290-01	23- 7	689-81809-11	20- 6		27-52
	31-42	664-45577-00-30	14-46	703-48227-00	27-27	701-48291-00	26-43	689-81810-11	20- 8		28- 3
6J8-44361-00	15- 1	664-45577-00-50	14-46	701-48229-00	26-25	703-48293-00	27-44	689-81811-11	20- 9	663-82557-00	8-30
6J8-44361-10	15- 1	663-45587-00-05	14- 5	703-48230-10	23- 4	703-48293-10	27-44	689-81812-11	20-11	689-82560-00	17-14
6J8-44365-10	15- 6	663-45587-00-08	14- 5	701-48232-00	26-30	701-48310-10	23- 6	689-81813-10	20-12	689-82570-14	22- 1
6J8-44366-00	15- 2	663-45587-00-12	14- 5	701-48234-00	26- 4	701-48310-20	23- 6	689-81820-11	20-13	689-82571-02	22- 6
663-44366-00	14-18	663-45587-00-30	14- 5	703-48234-00	27-21	701-48310-40	23- 6	6J8-81822-00-94	20-20	688-82574-00	22- 3
663-44367-00	15- 3	663-45587-00-50	14- 5	701-48235-00	26- 1	701-48310-60	23- 6	689-81826-10	20-14		27-50
6H3-44391-00	8-13	6J8-45611-00	14-36	702-48235-00	27- 4	701-48310-80	23- 6	6F5-81830-10	20- 4	688-82575-01	22- 4
6J8-44511-00-EJ	9-44	6J8-45631-00	14-38	701-48236-00	26- 7	701-48310-90	23- 6	689-81840-11	20-10		27-51
6H4-44514-00	9-40	648-45633-00	14-40	703-48236-00	27-19	701-48320-00	23- 6	689-81844-11	20- 5	689-82575-02	8-26
6H4-44551-00-EJ	9-28	6J8-45635-00	14-41	702-48237-00	26- 8	701-48320-20	23- 6	689-81850-11	20- 7	689-82575-12	28- 2
6H4-44553-00	9-35	664-45941-01-EL	15-30	702-48238-00	26- 9	701-48320-30	23- 6	689-81857-11	20- 2	6J8-82580-00	21-24
6H4-44557-00	9-34	664-45943-01-EL	15-30	703-48238-00	27-25	701-48320-40	23- 6	697-81901-60	30- 9	663-82581-01	22- 7
6H4-44557-10	9-34	664-45945-00-EL	15-30	701-48239-00	26-28	701-48320-50	23- 6	663-81910-10	28-12	688-82586-11	22-15
6J8-45111-00-EJ	13- 1	664-45947-01-EL	15-30	701-48243-00	26-13	701-48320-60	23- 6	6J8-81916-00	21-10	688-82586-21	22-14
6J8-45111-10-EJ	13- 1	664-45949-02-EL	15-30	703-48243-00	27-18	701-48320-70	23- 6	6G1-81941-10	21- 1		27-53
6J8-45113-00	13- 4	664-45952-00-EL	15-30	703-48244-00	27-24	701-48320-80	23- 6	6J8-81945-00	21- 3	688-82586-31	22-15
	31-14	664-45987-00	15-25	703-48245-00	27-14	701-48320-90	23- 6	6G1-81952-00	21- 2	703-82591-00	27-58
6J8-45114-00	13- 6	689-45997-00	15-26	701-48246-00	26-23	701-48345-30	26-36	6G1-81970-60	21- 7	703-82592-00	27-59
	31-30	701-48101-10	23- 1	703-48246-00	27-26	703-48345-00	27-22		28- 9	701-82594-00	26-42
663-45119-00	9-19	701-48102-10	23- 2	701-48248-00	26-11	701-48350-00	23- 6	689-82105-12	21-25	703-82594-00	27-28
689-45214-01	15-17	701-48110-22	23- 3		27-16	701-48350-10	23- 6	6F5-82117-00	21- 6	688-83373-10	30- 4
6J8-45215-00	15-18	701-48126-00	26-40	701-48249-00	26-10	701-48350-20	23- 6	688-82117-00	30-16	688-83383-11	30- 1
6J8-45224-10	15- 7	701-48152-11	26-12	701-48252-00	26- 3	701-48358-00	26-38	688-82149-00	30-15	703-83383-00	27-55
6J8-45300-00-EJ	14- 1	701-48152-20	26-12	703-48252-00	27-15	703-48358-00	27-23	1E6-82151-00	29- 8	6Y5-83504-00	29-20
6J8-45300-10-EJ	14- 1	701-48153-12	26-33	701-48255-00	26-20	6J8-48501-00-EJ	24- 1		30-19	6Y5-83510-30	29-10
6J8-45301-00-EJ	14- 2	703-48153-00	27- 3	701-48261-00	26-37	6G8-48511-00	24-17	6G1-82370-20	17-13	6Y5-83514-00	29- 6
689-45331-00-94	14-44	701-48189-11	26-31	701-48261-10	26-37	6G8-48511-10	24-20	688-82510-11	22- 2		29-14
664-45371-01	15-21	703-48189-00	27-20	703-48261-00	27- 1	6J8-48511-00-EJ	24-16	703-82510-01	27-48	688-83516-00	29- 3
6J8-45375-10	15- 5	701-48196-11	26- 6	703-48263-00	27- 8	6J8-48531-00	24- 4	688-82520-00	30-13		29-11
6H9-45376-00	15- 4	701-48197-10	26- 2	703-48264-00	27- 9	6J8-48532-00	24- 5	663-82521-09	30-12	6Y5-83518-00	29-21
6J8-45378-00	15- 9	703-48197-00	27- 6	703-48265-00	27-12	6J8-48534-00	24- 2	688-82521-00	30-17		29-29
664-45384-00	14-52	701-48198-10	26-14	701-48266-00	26-29	682-48538-50	24- 7	688-82526-00	30-14	6Y5-83523-00	29- 5
6J8-45501-00	14-30	703-48198-00	27-17	701-48268-00	26-17	6J8-48544-00	24- 3	703-82531-00	27-49		29-13
6J8-45501-10	14-30	701-48213-00	26-18	703-48268-00	27- 7	688-61301-00	25- 9	6H3-82540-00	21-19	6Y5-83536-00	29-22
6J8-45536-00	14- 4	703-48215-00	27-46	701-48271-00	26-34	6E5-61303-00	25-14	703-82540-00	27-54		29-30
6J8-45551-00	14-31	702-48217-00	27-47	701-48271-10	26-34	688-61311-10	25-18	689-82550-01	28- 1	688-83536-00	29- 4
6J8-45560-00	14-33	703-48219-00	27-33	703-48273-00	27- 5	6E5-61313-00	25-17	689-82550-11	28- 6		29-12
6J8-45567-00-05	14-35	703-48220-10	23- 5	701-48280-00	26-46	6E5-61315-00	25-15	701-82550-50	26-39	6Y5-83540-10	29- 2
6J8-45567-00-08	14-35	701-48221-00	26- 5	701-48281-00	26-15	689-61350-02	25- 1	6A0-82553-20	28- 4	6Y5-83553-00	29- 7
6J8-45567-00-12	14-35	703-48221-00	27-60	701-48282-00	26-27	689-61351-01	25- 2		28- 7		30-18
6J8-45567-00-30	14-35	701-48222-00	26-26	701-48283-00	26-41	6J8-81332-00	16-22	6H4-82553-00	21-20	663-83553-A0	29-25
6J8-45567-00-50	14-35	703-48222-00	27-30	703-48284-00	27-57	6J8-81337-00	20-31	6J8-82553-00	8-31		29-35
6J8-45571-00	14-43	703-48222-10	27-30	701-48287-00	26-44	6J8-81338-00	20-35	6J8-82554-00	21-21	663-83553-Y0	29-26

NUMERICAL INDEX

PART NO.	REF. NO.	PART NO.	REF. NO.	PART NO.	REF. NO.	PART NO.	REF. NO.	PART NO.	REF. NO.	PART NO.	REF. NO.
663-83553-Y0	29-34	90170-06015	12-25	90269-02001	11-17	91490-16010	11-12	92990-06600	5- 6	93102-26M27	2- 4
688-83557-00	29-15	90170-09M05	25-11	90280-03024	14-19		12-24		5-27		31- 9
688-83577-00	29-24	90170-14M06	25-19	90280-05013	16-12	91490-20015	10-25		5-29	93104-16M04	2-16
688-83664-00	29-23	90171-14013	15-28	90282-04010	14-53		11-33		5-37		31- 3
	29-31	90179-06M12	7- 7	90338-07M00	13-10		12-14		5-43	93210-03261	21-18
663-84301-01	30- 6		18- 7	90340-08014	14- 7	91490-30025	15-29		5-46	93210-08287	6-16
663-84309-00	30- 7		24-10	90386-06M12	11-30	91690-30010	10- 3		6-21		6-18
682-84381-00	8-28	90179-08M15	6-28	90386-08032	11-21	91690-30012	24- 8		12-18	93210-16275	25- 8
6J8-84387-00	8-29		12-32	90386-12M61	8- 5	91690-30018	11-29		12-21	93210-29375	9-26
6J8-85410-00	8-32		12-38	90386-30M60	9-27		12-12		17- 3	93210-37M25	6-26
6J8-85500-A0	19- 1	90179-10M14	14-32	90386-30048	9-24		12-34		17- 5		31-13
6J8-85500-F0	16- 1	90179-16M05	16-13	90386-34M40	11- 6	91690-40014	5- 3		17- 7	93210-41042	14-22
6H4-85510-F0	16- 3	90185-05002	15-20	90386-43M62	11- 7	91690-50022	20-34		21- 5		31-35
	19- 3	90185-08045	9-43	90387-06M00	10-36	92580-06012	16-18		21-17	93210-42159	2- 5
663-85518-00	16-11	90185-09M01	25- 4	90387-06M29	5-35	92680-06090	27-42		24-19		31-15
6H4-85520-00	16- 4		25-13	90387-06M41	8-16	92780-06025	26-19		24-22	93210-56M80	2-17
	19- 4	90185-10051	9-33	90387-06M76	16-21	92901-04100	22- 9		30-11		31- 4
6H4-85533-A0	16-10	90185-22043	9-10	90387-07M64	10-20	92903-04100	4-21	92990-08100	9-46	93210-60M17	14-48
	19-10	90201-06060	5-20	90387-09074	9-13		4-23		15-15		31-38
6J8-85540-H0	17- 1	90201-06416	8-17	90387-10M61	25- 5		4-37		15-23	93306-00609	14-45
6H4-85548-00	16- 7	90201-09425	9-42	90430-08020	14- 8		31-28		20-18	93306-305U3	2- 6
	19- 7	90201-10M20	25- 3		31-32	92990-03100	4-35	92990-08600	1-23	93313-628U0	2- 3
6J8-85548-00	16-19	90201-10M76	25-10	90445-07M29	1-16	92990-05100	16- 9		5-50	93315-220V7	14- 3
6J8-85550-A0	19- 2	90201-16M44	16-14	90445-09M00	6-23		19- 9		6-37	93315-22004	14-49
6J8-85550-F0	16- 2	90201-16379	2-12	90445-11M78	6-13		22-12		9-14	93332-000V6	14-34
6J8-85570-20	17- 8	90201-20417	14-42	90445-11M80	6-11	92990-05600	3- 4		9-37	93332-00023	14- 6
6Y5-85750-00	29-28	90201-22428	9- 8	90464-03M15	20-22		3-17		13-13	93410-28M06	9-29
688-85752-01	29-33	90201-30420	9-25	90464-05M16	17-12		4-26		13-15	93430-05027	10-22
688-85756-00	29-32	90201-50306	2- 7	90464-08M07	21-23		12-23		15-16		10-32
6J8-86110-00	21-13	90202-05088	11-13	90464-12M09	20-21		16-24		15-24	93430-06M02	5-24
6J8-86116-00	21-14	90202-10024	12-31	90464-12M17	6-38		21- 9		20-16		10-21
682-86117-00	21-15		12-37	90465-11M10	29-16		21-12		20-19	93430-06024	26-35
90101-06M00	16-20	90202-12M25	8- 3	90465-13154	6-35		22-13		20-24		27-13
90101-08339	9-12	90202-12031	10- 9	90467-06016	1-17		28-11		20-26	93430-10M00	10- 8
90101-09M70	25- 6		10-13	90467-08004	6-22		30- 3		20-30		10-12
	25-12	90202-35M24	11- 5		6-32	92990-06100	16- 6		27-37	93602-16M10	2-11
90105-06M18	9-22	90206-12M16	10-14	90480-09M21	8-15		17-11	92990-10100	15-12	93604-08062	14-26
90109-06M28	12- 3	90206-12052	8- 4	90480-10M16	20-33		19- 6	92990-10600	9-32	93606-12019	1- 8
90109-06M29	24- 9	90206-35M11	11- 4	90480-14M17	20-32	92990-06200	11-32		9-39		13- 2
90109-08M26	9-41	90209-08M02	14-29	90480-25161	17- 9		12-13		11-19		13-11
90116-10M28	9-31	90214-45M00	14-51	90501-10065	14-37	92990-06300	26-24		15-13		15-10
90119-05M31	3-14	90243-04001	9- 4	90501-10227	5-32	92990-06600	1- 7	92990-14200	15-27	93700-06004	9-18
90119-06M32	3-10	90249-06117	10-30	90501-23215	11-18		1-15	93101-20M07	14-50	94702-00271	1-38
90119-08M19	1- 5	90249-12M14	10-11	90506-12M23	10- 6		1-28		31-39	95303-05600	12-10
90119-08M31	13- 3	90249-12M17	10- 7	90506-32M22	10-23		1-35	93101-23070	14-21		12-29
90149-05M05	22-10	90250-05010	14-39	90510-08M04	5-18		1-37		31-34	95303-06600	12- 5
90149-14M03	9- 5	90266-04M00	7- 5	90601-31402	29-17		2-19	93101-25M28	2-15	95303-06700	5-22
90164-06M01	8-20		18- 5	90890-44373	5-16		3- 8		31- 2	95380-05600	22-11

NUMERICAL INDEX

PART NO.	REF. NO.	PART NO.	REF. NO.	PART NO.	REF. NO.	PART NO.	REF. NO.	PART NO.	REF. NO.	PART NO.	REF. NO.
95380-05600	27-10	97395-06016	11- 9	98701-05008	4-24						
95380-06600	5-12		24- 6	98780-05012	27-34						
	26-45		24-18	98780-05016	27-35						
	27-43		24-21	99530-10014	5-30						
95380-06700	14-13	97395-06018	26-21								
95380-08600	9-15	97395-06025	1-36								
95380-14700	25-16	97395-06035	1-34								
95428-31316	30- 8	97395-06075	10-34								
95895-06012	8- 7	97395-08020	15-22								
97313-06012	17- 4	97395-08025	9-36								
	17- 6	97395-08040	14-28								
	21-22		31-48								
97313-06016	1-14	97395-08050	13-12								
	2-18		14-27								
	5- 5		31-47								
	5-45	97395-08085	15-14								
	21- 4	97395-10060	9-38								
	21-16	97780-40116	29-18								
97313-06020	5-42	97780-50510	14-10								
	5-44	97780-60120	30-10								
	12-17	97780-60516	30- 2								
	17-10	97802-06020	16- 5								
97313-06025	1-27		19- 5								
	3- 7	97803-03022	4-34								
	5-11	97803-04008	22- 8								
	5-21	97803-04010	4-20								
	5-28	97803-04012	4-22								
	5-36		31-27								
	6-20	97803-04024	4-36								
	17- 2	97803-05016	3- 3								
97313-06030	1- 6	97803-05025	21- 8								
	8-18		28-10								
97313-06035	5-26	97803-06025	12- 4								
97313-08016	6-36	97890-06012	15- 8								
	20-15	98501-05008	16- 8								
97313-08030	20-17		19- 8								
97313-08035	1-10	98580-03015	27-41								
	20-23	98580-04006	27-39								
97313-08055	20-25	98580-04010	27-38								
97313-08060	1-22	98580-05010	16-23								
97321-08014	5-49		21-11								
	20-29		26-32								
97375-08030	13-14		27-40								
97375-10040	15-11	98580-05012	11-24								
97380-05025	27-11	98580-05540	3-16								
97380-08030	27-36	98586-05016	6- 9								
97390-08035	9-45	98680-05525	11-20								
97395-06012	12-20		15-19								