

20C(6A9)

CONTENTS

Fig. 1	CRANKCASE & CYLINDER	A3
Fig. 2	CRANK & PISTON	A4
Fig. 3	INTAKE	A5
Fig. 4	STARTER	A6
Fig. 5	FUEL	A7
Fig. 6	TOP COWLING	B1
Fig. 7	BOTTOM COWLING	B2
Fig. 8	BRACKET	B3
Fig. 9	STEERING	B4
Fig. 10	CONTROL	B5
Fig. 11	UPPER CASING	B6
Fig. 12	LOWER & DRIVE 1	B7
Fig. 13	LOWER & DRIVE 2	C1
Fig. 14	C.D.I. MAGNETO	C2
Fig. 15	ELECTRIC PARTS	C3
Fig. 16	ELECTRIC MOTOR (20CE MODEL)	C4
Fig. 17	ELECTRIC PARTS (20CE MODEL)	C5
Fig. 18	REMOTE CONTROL	C6
Fig. 19	ATTACHMENT ASS'Y	C7
Fig. 20	STEERING GUIDE ATTACHMENT	D1
Fig. 21	REMOTE CONTROL ASS'Y 1 (701 TYPE)	D2
Fig. 22	REMOTE CONTROL ASS'Y 2 (703 TYPE)	D3
Fig. 23	OPTIONAL PARTS 1	D4
Fig. 24	OPTIONAL PARTS 2	D5
Fig. 25	OPTIONAL PARTS 3	D6
Fig. 26	OPTIONAL PARTS 4	D7
Fig. 27	REPAIR KIT	E1
	NUMERICAL INDEX	

FOREWORD

This Parts Catalogue is related to the parts in use for the Yamaha outboard motor 20C '86 (6A9). When you are ordering replacement parts for the 20C '86(6A9), refer to this Parts Catalogue and quote both part numbers and part names correctly.

1. Modifications or additions which have been made after issue of the Parts Catalogue will be announced in the Yamaha Parts News.
It is advisable that according to the Yamaha Parts News you make necessary corrections to the Parts Catalogue on hand to keep it up-to-date.

2. Abbreviations

The following abbreviations are used in this Parts Catalogue.

- U.R. Use size (thickness) and/or number as required.
- U.N. Use as many as you need.
- A.P. Alternate Parts
- S.T.D. Standard
- O.S. Over Size

3. Parts, which are to be supplied in the form of assemblies, are listed with an indentation of one letter's space, and a dot (.) is put against the name of each part.

EXAMPLE

- CARBURETOR ASS'Y
- . JET, pilot
- . NOZZLE, main

4. Indication of No. of constituent parts for assembly.

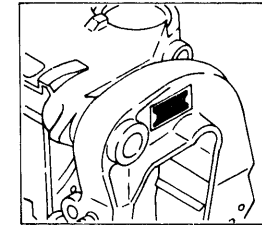
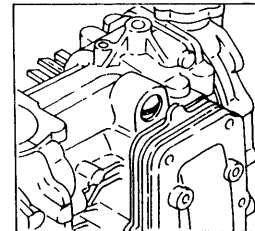
The numeral appearing to the right of each constituent part under the description indicates the quantity of such parts for each individual assembly unit.

EXAMPLE

Part No.	Description	Q'ty	Remarks
6E0-85500-70	C.D.I. MAGNETO ASS'Y	1	
6E0-85550-70	. ROTOR ASS'Y	1	
6E0-15723-00-94	. . PULLEY, starter	1	

5. Initial Serial No. and Color Code

Engine Serial No.	
	20CM S:012380 and following L:308104 and following LL:600476 and following
	20CE S:251173 and following L:550957 and following LL:650101 and following



Color Code	Color Name	Abbreviate
EJ	METALLIC MARINE BLUE	MMB

Fig. 1 CRANKCASE & CYLINDER

Ref No	Parts No	Description	Qty	Ref No	Parts No	Description	Qty
1	6A9-W0090-50-EJ	CRANK CYLINDER ASS'Y (Ref. No. 2 to 37 and Fig. 2, Ref. No. 1 to 27)	1	19	92903-06100	WASHER	3
2	6A9-15100-01-94	CRANKCASE ASS'Y	1	20	6F5-12411-01	THERMOSTAT	1
3	674-14485-00	. PIPE, joint	1	21	90201-21567	WASHER	1
4	674-11379-00	. VALVE, check	1	22	97313-06020	BOLT	4
5	650-11370-00	. CHECK VALVE ASS'Y	1	23	92903-06600	WASHER	4
6	93606-12019	PIN, dowel B	2	24	664-15359-01-94	HOUSING, oil seal 1	1
7	90119-08818	BOLT, with washer	2	25	664-15369-00	GASKET, oil seal housing	1
8	90119-08820	BOLT, with washer	8	26	93102-23096	OIL SEAL	1
9	90445-07260	HOSE	1	27	664-41113-00-94	OUTER COVER, exhaust	1
10	90467-06016	CLIP	2	28	664-41111-00	INNER COVER, exhaust	1
11	689-11325-00	ANODE	1	29	664-41114-00	GASKET, exhaust cover	2
12	92780-06020	SCREW, flathead	1	30	97395-06025	BOLT	1
13	6A9-11111-00-94	HEAD, cylinder	1	31	97395-06030	BOLT	6
14	695-11181-00	GASKET, cylinder head	1	32	97395-06035	BOLT	4
15	90119-08818	BOLT, with washer	11	33	92903-06600	WASHER	11
16	655-12413-01-94	COVER, thermostat	1	34	695-41616-00	STOPPER, magneto base 2	1
17	655-12414-00	GASKET, cover	1	35	97313-06020	BOLT	2
18	97313-06020	BOLT	3	36	95303-06600	NUT	2
				37	94702-00272	PLUG, spark (BR7HS) NGK	2

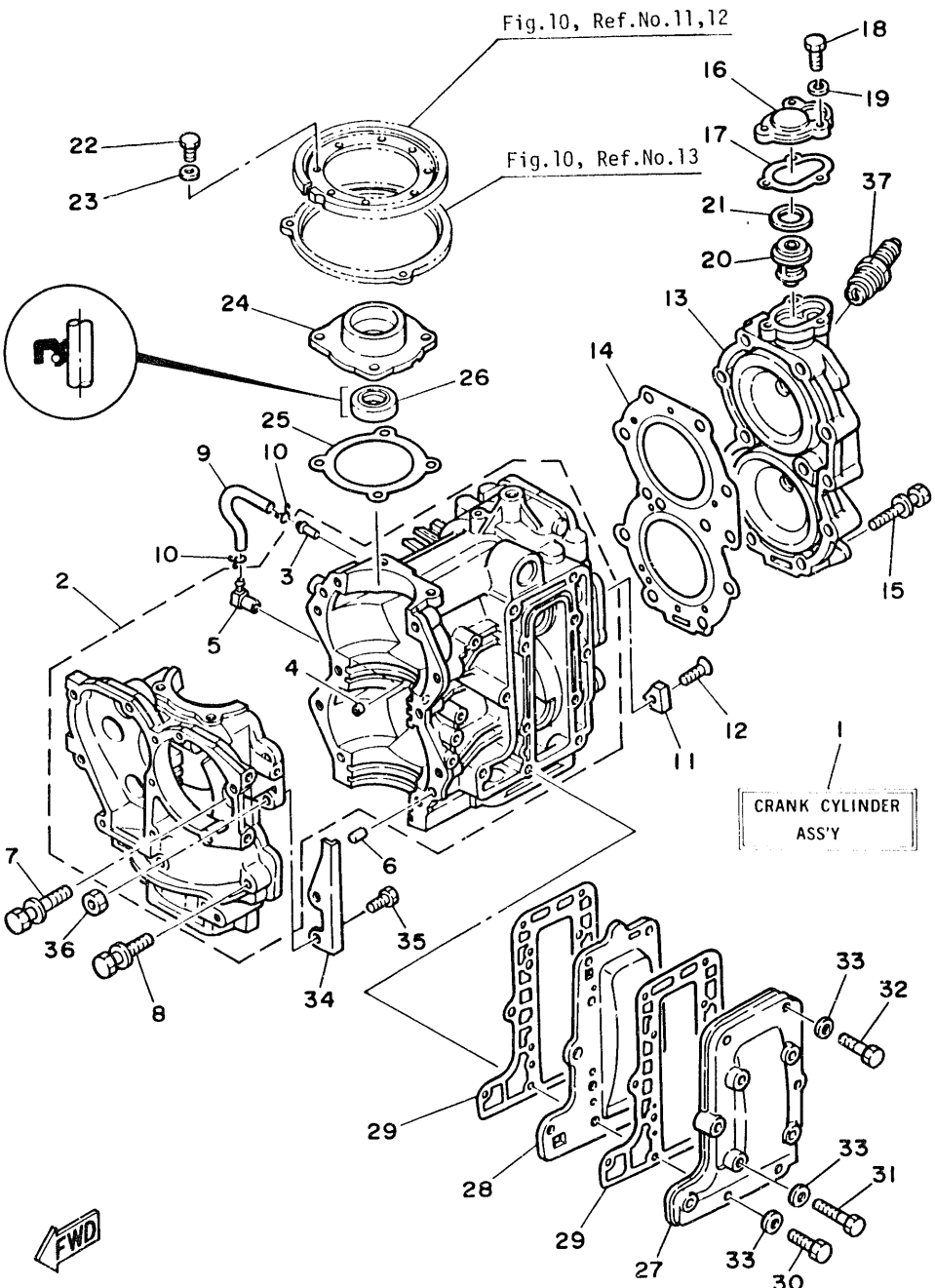


Fig. 2 CRANK & PISTON

Ref.No.	Parts No.	Description	Q'ty	Ref.No.	Parts No.	Description	Q'ty
1	695-11400-00	CRANK ASS'Y	1	15	664-11610-80	PISTON RING SET (S.T.D.)	2
2	660-11412-00	. CRANK 1	1		664-11610-40	PISTON RING SET (1ST O.S.)	2 A.P.
3	660-11422-00	. CRANK 2	1		644-11610-50	PISTON RING SET (2ND O.S.)	2 A.P.
4	660-11432-00	. CRANK 3	1	16	93602-20M02	BEARING, con-rod small end	62
5	695-11442-00	. CRANK 4	1	17	648-11633-00	PIN, piston	2
6	648-11651-03	. ROD, connecting	2	18	93450-20026	CLIP, piston pin	4
7	648-11681-00	. PIN, crank	2	19	90201-18522	WASHER	4
8	90209-22071	. WASHER	4	20	93210-16275	O-RING	1
9	93310-522W0	. BEARING, con-rod big end	2	21	90201-50306	WASHER	1
10	93306-30510	. BEARING (B6305)	2	22	93210-50M21	O-RING	1
11	93390-00009	. BEARING, roller	1	23	93162-25M20	OIL SEAL	1
12	656-11515-00	. SEAL, labyrinth	1	24	93104-16M01	OIL SEAL	2
13	93440-62057	. CIRCLIP	1	25	689-15396-00-9M	HOUSING, oil seal 2	1
14	664-11631-80-97	PISTON (S.T.D.)	2	26	97395-06022	BOLT	1
	664-11635-80	PISTON (1ST O.S.)	2 A.P.	27	92990-06600	WASHER	1
	664-11636-80	PISTON (2ND O.S.)	2 A.P.				

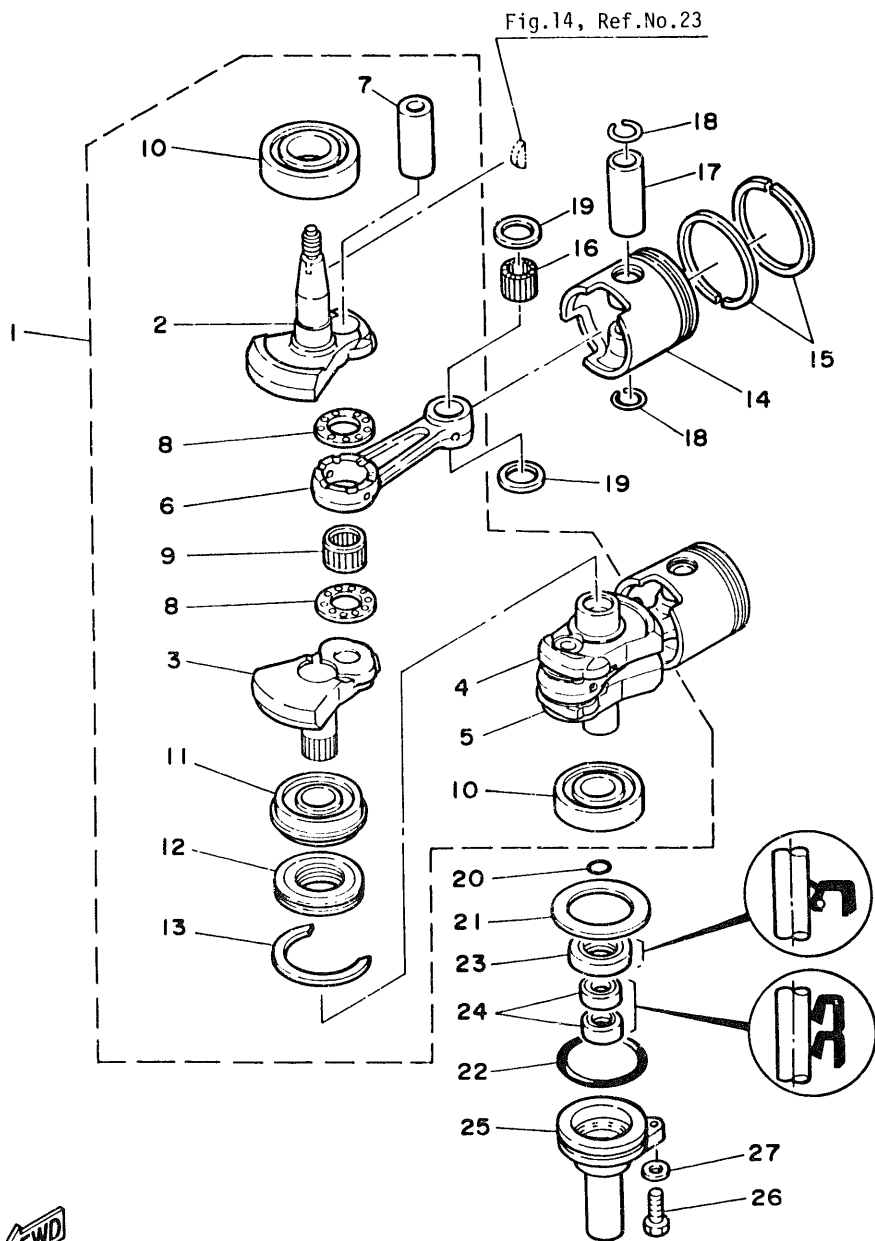
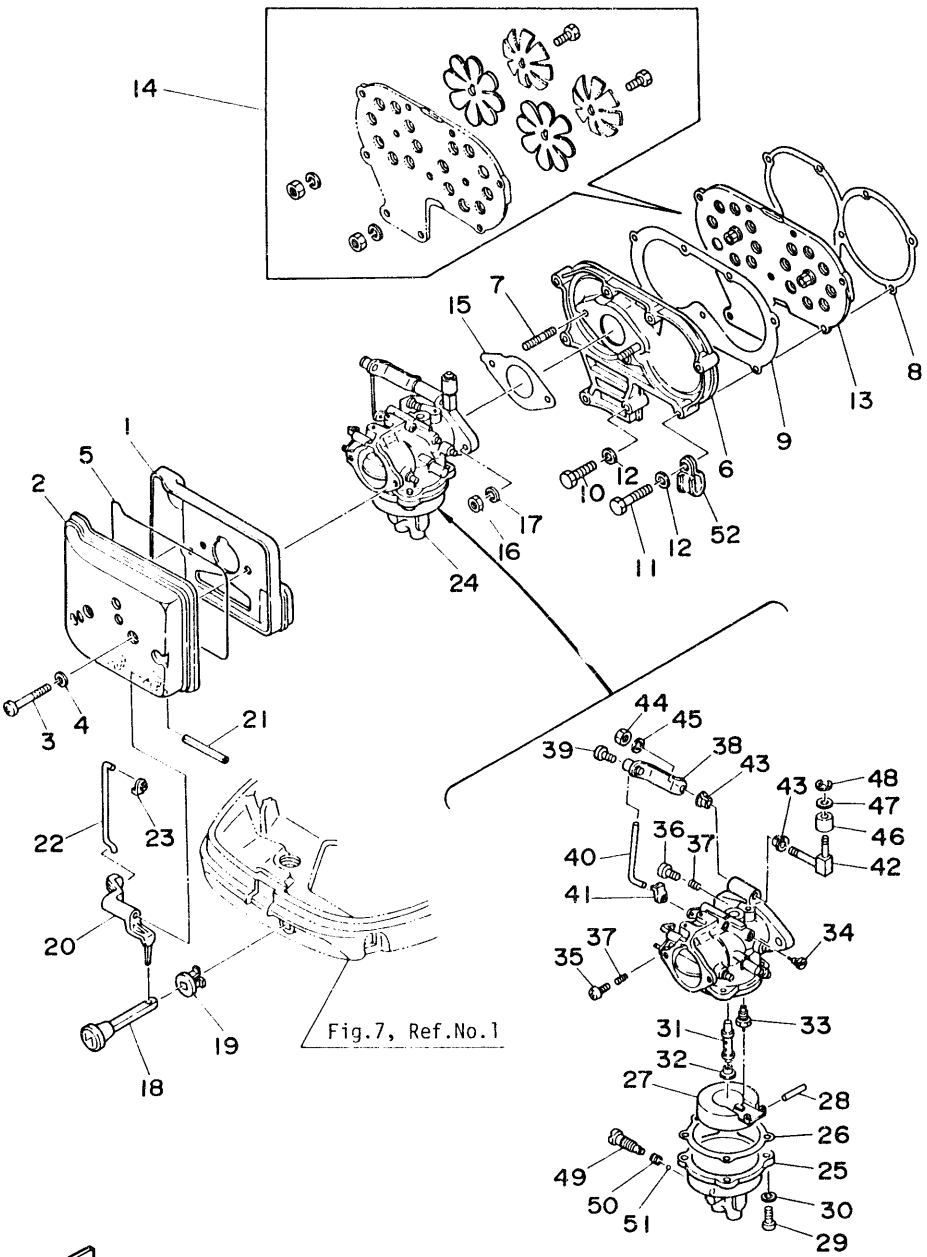


Fig. 3 INTAKE

Ref.No.	Parts No.	Description	Q'ty	Ref.No.	Parts No.	Description	Q'ty
1	695-14417-00	COVER 1	1	27	648-14385-00	. FLOAT	1
2	695-14418-01	COVER 2	1	28	6E5-14386-01	. PIN, float	1
3	97803-05030	SCREW, panhead	2	29	98580-04012	. SCREW, panhead	4
4	92903-05600	WASHER	2	30	92990-04100	. WASHER	4
5	695-14476-00	SEAL	1	31	6A9-14341-00	. NOZZLE, main (2.9ø)	1
6	648-13641-01-94	MANIFOLD, Intake	1	32	689-14343-66	. JET MAIN (#133)	1
7	90116-66M08	BOLT, stud	2	33	6J0-14390-14	. VALVE SEAT ASS'Y (1.4ø)	1
8	648-13621-00	PACKING, valve seat	1	34	648-14342-31	. JET, pilot (#62)	1
9	648-13645-00	GASKET, intake manifold	1	35	648-14321-00	. SCREW, throttle	1
10	97313-06025	BOLT	2	36	647-14323-09	. SCREW, air adjusting	1
11	97313-06035	BOLT	7	37	646-14212-01	. SPRING, air adjusting	2
12	92903-06600	WASHER	9	38	648-41210-01	. ACCEL. ARM ASS'Y	1
13	689-13610-00	REED VALVE ASS'Y	1	39	650-14327-00	. SCREW	1
14	689-W0004-00	. REED SET	1	40	656-41241-00	. ROD	1
15	648-14198-00	GASKET	1	41	661-41262-02	. JOINT, choke lever	1
16	95303-06600	NUT	2	42	689-41216-00	. SHEAVE SHAFT, accel. link	1
17	92903-06600	WASHER	2	43	90386-05002	. BUSHING	2
18	682-41271-00	KNOB, choke l	1	44	95303-05700	. NUT	1
19	689-41273-00	GROMMET 1	1	45	92990-05100	. WASHER	1
20	689-41252-01	LEVER, choke	1	46	664-41231-00	. COLLAR, guide pin	1
21	91690-40048	PIN, spring	1	47	92990-05200	. WASHER	1
22	695-41256-00	ROD, choke link	1	48	93430-04031	. CIRCLIP	1
23	661-41262-02	JOINT, choke lever	1	49	646-14394-00	. VALVE, drain	1
24	6A9-14301-01	CARBURETOR ASS'Y	1	50	646-14223-01	. SPRING, drain valve	1
25	664-14381-01	. BODY, float chamber	1	51	646-14397-00	. O-RING	1
26	648-14384-01	. GASKET, float chamber	1	52	90461-06015	CLAMP	1



FWD

Fig.3, Ref.No.24

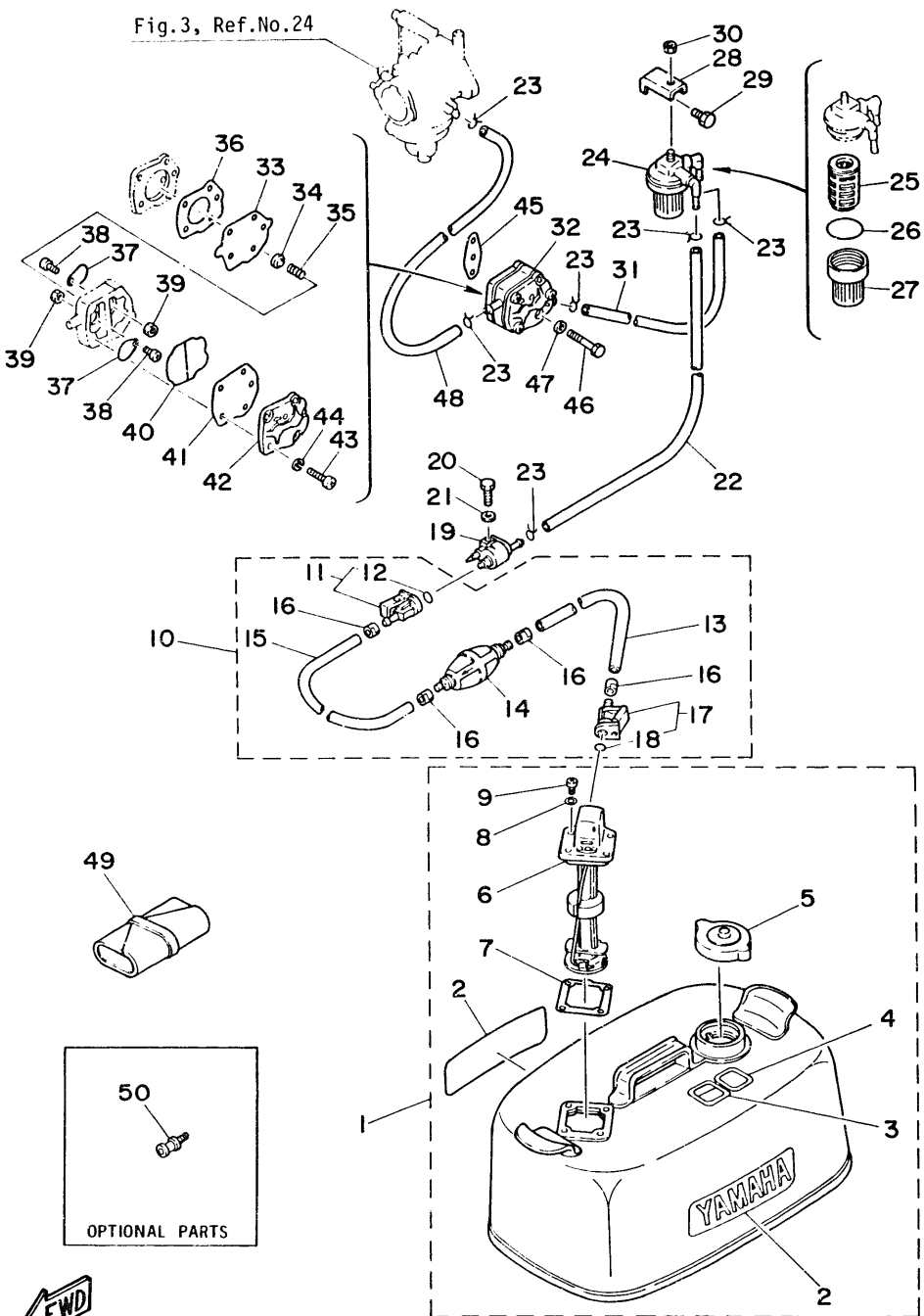


Fig. 5 FUEL

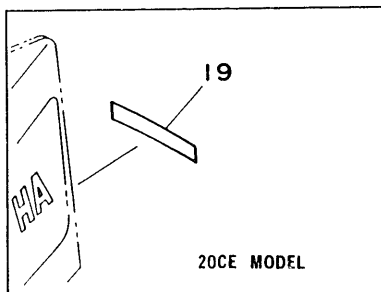
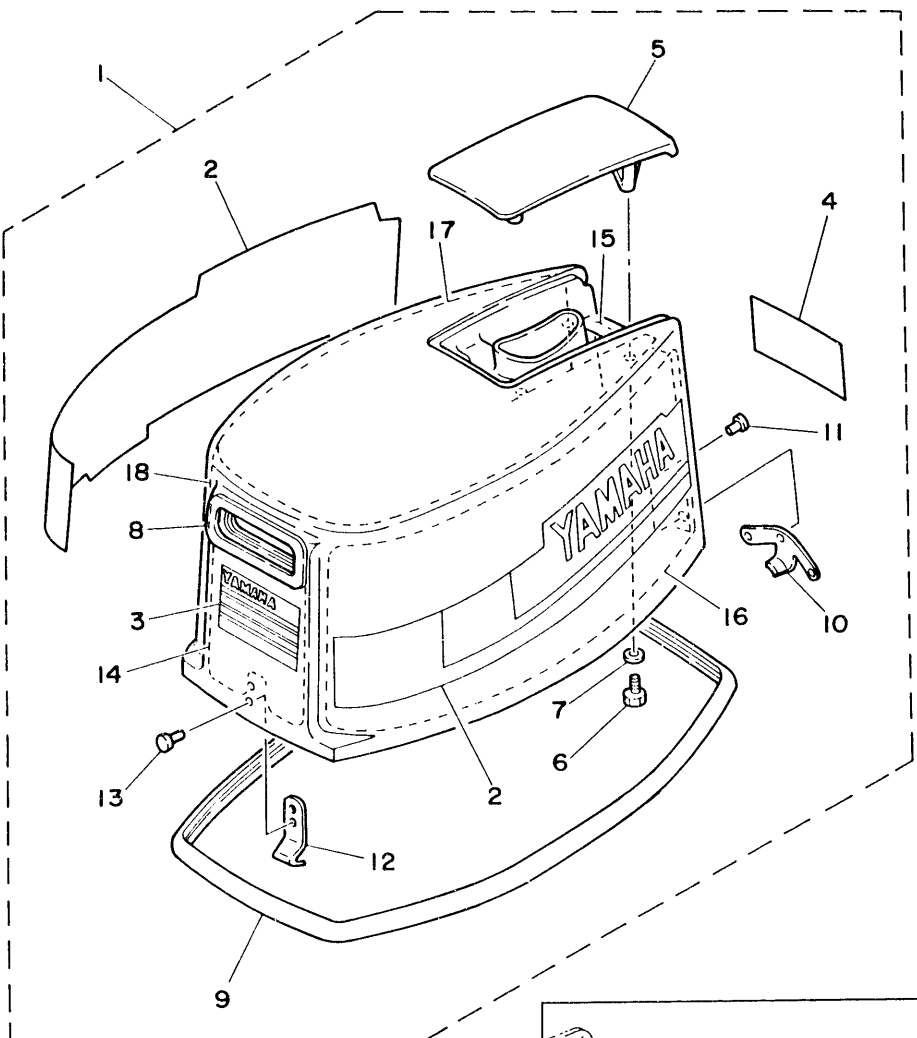
Ref No.	Parts No.	Description	Qty	Ref No.	Parts No.	Description	Qty
1	6Y1-24203-81-24	FUEL TANK ASS'Y	1	26	93210-37M25	. O-RING	1
2	6Y1-24246-00	. GRAPHIC, side	2	27	655-24521-01	. CUP, filter	1
3	6Y1-24255-80	. GRAPHIC	1	28	648-24566-01	BRACKET, filter	1
4	6Y1-24257-00	. GRAPHIC	1	29	97313-06012	BOLT	1
5	6Y1-24610-00	. CAP ASS'Y	1	30	95303-08600	NUT	1
6	6Y1-24260-01	. FUEL METER COMP.	1	31	664-24311-00	HOSE	1
7	6Y1-24268-00	. GASKET, fuel meter housing	1	32	6A0-24410-01	FUEL PUMP ASS'Y	1
8	6Y1-24329-00	. SEAL	4	33	648-24411-00	. DIAPHRAGM, pump	1
9	98586-05016	. SCREW, panhead	4	34	648-24424-00	. PLATE, spring guide	1
10	6Y1-24306-03	FUEL PIPE ASS'Y	1	35	648-24423-00	. SPRING, pump diaphragm	1
11	6G1-24305-00	. FUEL PIPE JOINT COMP. 2	1	36	648-24434-00	. GASKET, body 1	1
12	93210-08287	. . O-RING	1	37	6A0-24421-01	. VALVE, check	2
*13	90445-11M90	. HOSE (1900mm)	1	38	90147-03M00	. SCREW, panhead	2
14	6Y1-24360-00	. PRIMARY PUMP ASS'Y	1	39	98813-03100	. NUT	2
*15	90445-11M78	. HOSE (1000mm)	1	40	6A0-24435-00	. GASKET, body 2	1
16	650-24351-00	. BAND, fuel pipe	4	41	663-24411-00	. DIAPHRAGM, pump	1
17	6Y1-24305-01	. FUEL PIPE JOINT COMP.	1	42	6A0-24413-00	. COVER, pump	1
18	93210-08287	. . O-RING	1	43	98503-05028	. SCREW, panhead	3
19	6G1-24304-01	FUEL PIPE JOINT COMP. 1	1	44	92990-05100	. WASHER	3
20	97313-06020	BOLT	1	45	650-24431-00	GASKET, fuel pump	1
21	92903-06600	WASHER	1	46	97313-06040	BOLT	2
22	90445-09M25	HOSE	1	47	92903-06600	WASHER	2
23	90467-08004	CLIP	6	48	648-24312-01	HOSE	1
24	655-24560-01	FILTER ASS'Y	1	49	6E0-28100-00	TOOL ASS'Y	1
25	6F5-24563-00	. ELEMENT, filter	1	50	6E0-28193-00-94	PLUG, water check 1	1 A.P.

* Also available in 30m rolls (Parts No. 90890-56878)



Fig. 6 TOP COWLING

Ref No	Parts No	Description	Q'ty	Ref No	Parts No	Description	Q'ty
1	6A9-42610-G1-EJ	TOP COWLING ASS'Y	1	11	90266-04M01	. RIVET	3
2	689-W0070-20	. GRAPHIC SIDE SET	1	12	6G0-42651-00	. HOOK 1	1
3	689-42677-01	. GRAPHIC, front	1	13	90266-04M00	. RIVET	2
4	6A9-42678-20	. GRAPHIC, rear	1	14	695-42662-01	. DAMPER 1	1
5	689-42613-00-EJ	. MOLDING, air duct	1	15	695-42663-01	. DAMPER 2	1
6	97313-06012	. BOLT	4	16	695-42664-00	. DAMPER 3	1
7	92903-06600	. WASHER	4	17	689-42665-00	. DAMPER 4	1
8	689-15761-00	. SEAL, rubber	1	18	695-42666-00	. DAMPER 5	1
9	6G0-42615-00	. SEAL	1	19	6G1-42603-00	MARK, cowling 3 (20CE Model)	1
10	689-42647-00	. HOLDER, clamp band	1				

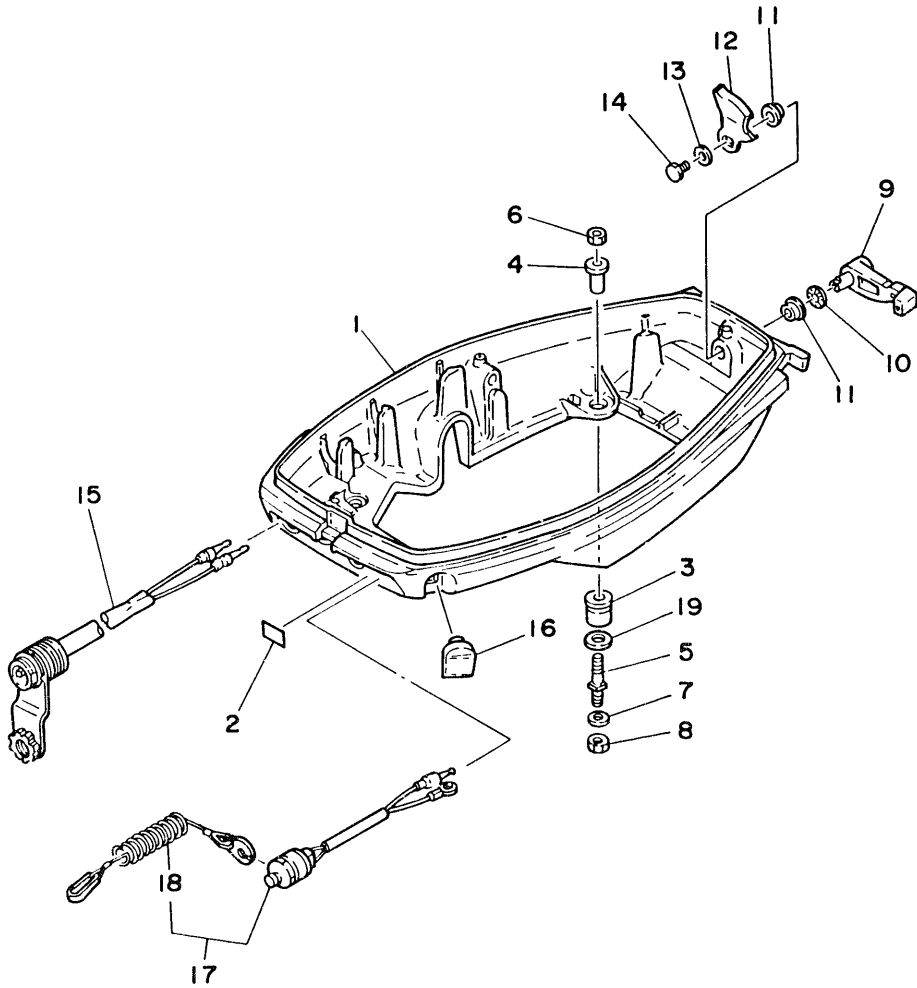


FWD

B1

Fig. 7 BOTTOM COWLING

Ref No	Parts No	Description	Q'ty	Ref No	Parts No	Description	Q'ty
1	689-42711-00-EJ	COWLING, bottom	1	11	90386-12069	BUSHING	2
2	6A1-42791-01	MARK 3	1	12	689-42816-00	LEVER, clamp 2	1
3	90480-15M06	GROMMET	4	13	90201-06068	WASHER	1
4	90387-08M25	COLLAR	4	14	97313-06010	BOLT	1
5	6G0-42796-00	BOLT	4	15	682-84381-00	2P CONCENT 1	1
6	95303-08700	NUT	4	16	689-42725-00	GROMMET 2	1
7	92990-08600	WASHER	4	17	689-82575-02	KILL SWITCH ASS'Y	1
8	95380-08700	NUT	4	18	682-82556-00	. STOPPER ASS'Y	1
9	689-42815-00	LEVER, clamp 1	1	19	90201-08M87	WASHER	4
10	90206-12052	WASHER, wave	1				



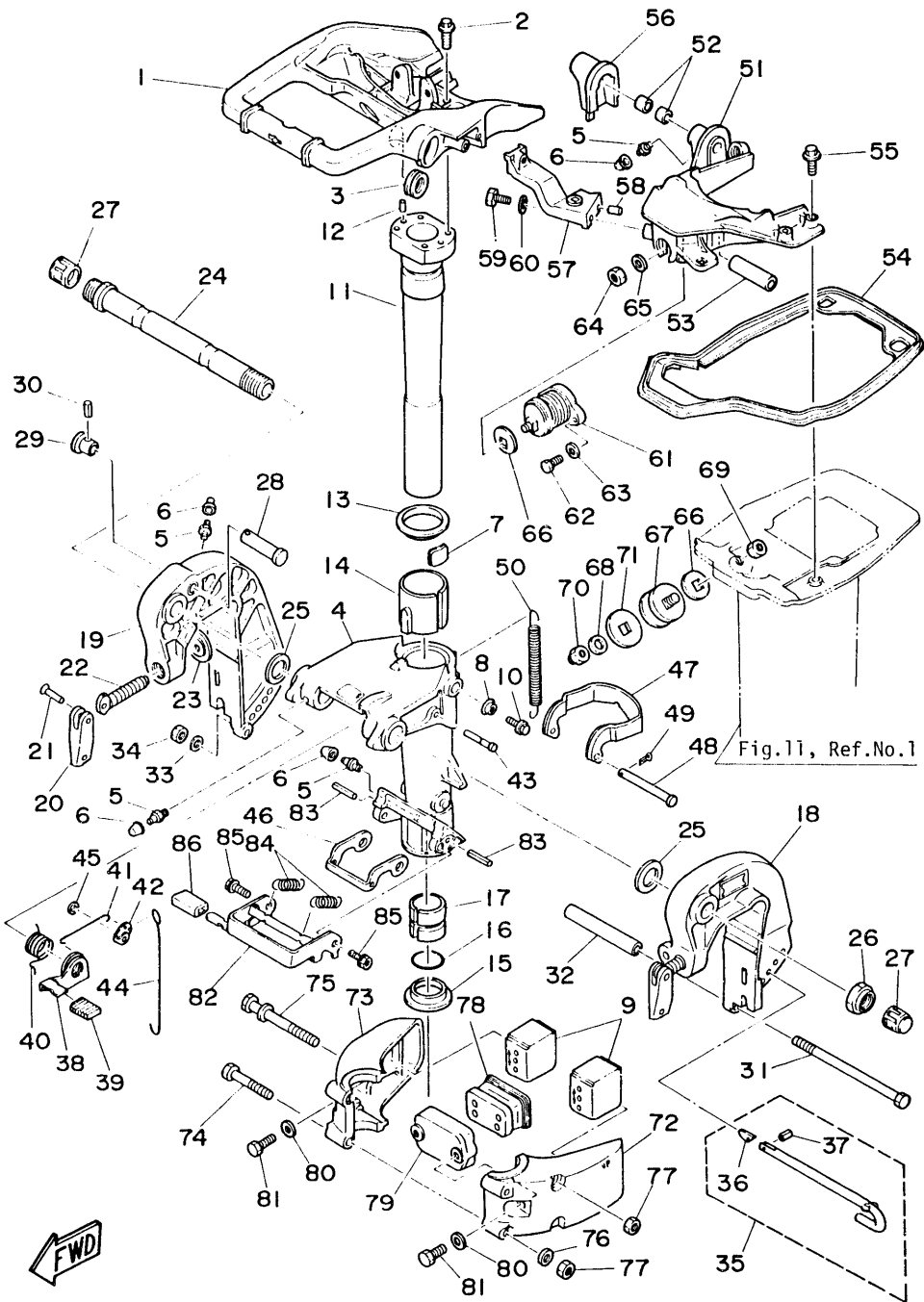


Fig. 8 BRACKET

Ref No.	Parts No.	Description	Q'ty	Ref No.	Parts No.	Description	Q'ty
1	656-42511-01-EJ	BRACKET, steering	1	44	648-43617-00	ROD, tilt lock 2	1
2	90105-06M07	BOLT	4	45	93430-05027	CIRCLIP	1
3	90480-29045	GROMMET	1	46	648-43615-00	PLATE, tilt lock 2	1
4	689-43311-02-EJ	BRACKET, swivel	1	47	689-43614-00	PLATE, tilt lock 1	1
5	93700-06004	NIPPLE, grease	5	48	90240-05046	PIN, with hole	1
6	663-45119-00	CAP, grease nipple	5	49	91490-16010	PIN, cotter	1
7	648-42528-00	PLATE, friction	1	50	90506-30055	SPRING, tension	1
8	689-43373-01	SEAL, damper	1	51	648-44518-01-9M	BRACKET COMP. 1	1
9	689-44555-00	MOUNT DAMPER, lower side	2	52	90380-12012	BUSHING, solid	2
10	90105-06M18	BOLT	1	53	90387-10M39	COLLAR	1
11	689-42521-00-94	SHAFT, steering pivot	1	54	689-42716-00	SEAL 1	1
12	93608-12063	PIN, dowel B	2	55	90105-06M08	BOLT	4
13	90209-47016	WASHER	1	56	689-42718-00	SEAL 3	1
14	90386-47M22	BUSHING	1	57	648-44519-00-94	BRACKET 2	1
15	90306-38022	BUSHING	1	58	93606-12019	PIN, dowel B	1
16	93210-37160	O-RING	1	59	97395-06018	BOLT	1
17	90386-38090	BUSHING	1	60	92990-06600	WASHER	1
18	689-43111-01-EJ	BRACKET, clamp 1	1	61	689-44516-00	MOUNT DAMPER, upper front	1
19	689-43112-01-EJ	BRACKET, clamp 2	1	62	97395-06020	BOLT	2
20	616-43118-00-EJ	HANDLE, transom clamp	2	63	92990-06600	WASHER	2
21	90243-04001	PIN	2	64	92880-10200	NUT	1
22	90149-14030	SCREW	2	65	92990-10200	WASHER	1
23	648-43114-01	PAD, transom clamp	2	66	648-44591-00	GASKET 1	3
24	689-43131-00	BOLT, clamp bracket	1	67	664-44514-00-94	MOUNT DAMPER, upper side	2
25	90201-22428	WASHER	2	68	92990-10200	WASHER	2
26	90185-22043	NUT, self-locking	1	69	92880-10200	NUT	2
27	663-43145-00	CAP, clamp bracket	2	70	92890-10700	NUT, crown	2
28	689-43191-00	SHAFT, stopper	1	71	664-44591-00	GASKET 1	2
29	689-43192-01	KNOB, stopper	1	72	689-44551-00-EJ	HOUSING, lower mount 1	1
30	91690-30016	PIN, spring	1	73	689-44552-00-EJ	HOUSING, lower mount 2	1
31	90101-08339	BOLT	1	74	97395-08065	BOLT	2
32	90387-09074	COLLAR	1	75	90119-08M03	BOLT	2
33	92990-08600	WASHER	1	76	92990-08600	WASHER	2
34	95380-08600	NUT	1	77	95380-08600	NUT	4
35	682-43160-01	TILT ROD ASS'Y	1	78	689-44557-00	MOUNT DAMPER, lower front	1
36	656-43165-01	STOPPER PLATE	1	79	689-44553-00-94	COVER, lower mount	1
37	91690-30008	PIN, spring	1	80	92990-08600	WASHER	2
38	689-43631-00	LEVER, tilt 1	1	81	97375-08025	BOLT	1
39	689-43633-00	COVER, tilt lever 1	1	82	689-43681-00	LEVER, shallow water drive	1
40	689-43643-00	SPRING, torsion	1	83	91690-40035	PIN, spring	2
41	689-43616-00	ROD, tilt lock 1	1	84	90506-16M17	SPRING	2
42	648-43642-00	LEVER, tilt 2	1	85	90109-06M18	BOLT	2
43	90249-06M10	PIN	1	86	682-43318-01	COVER	1

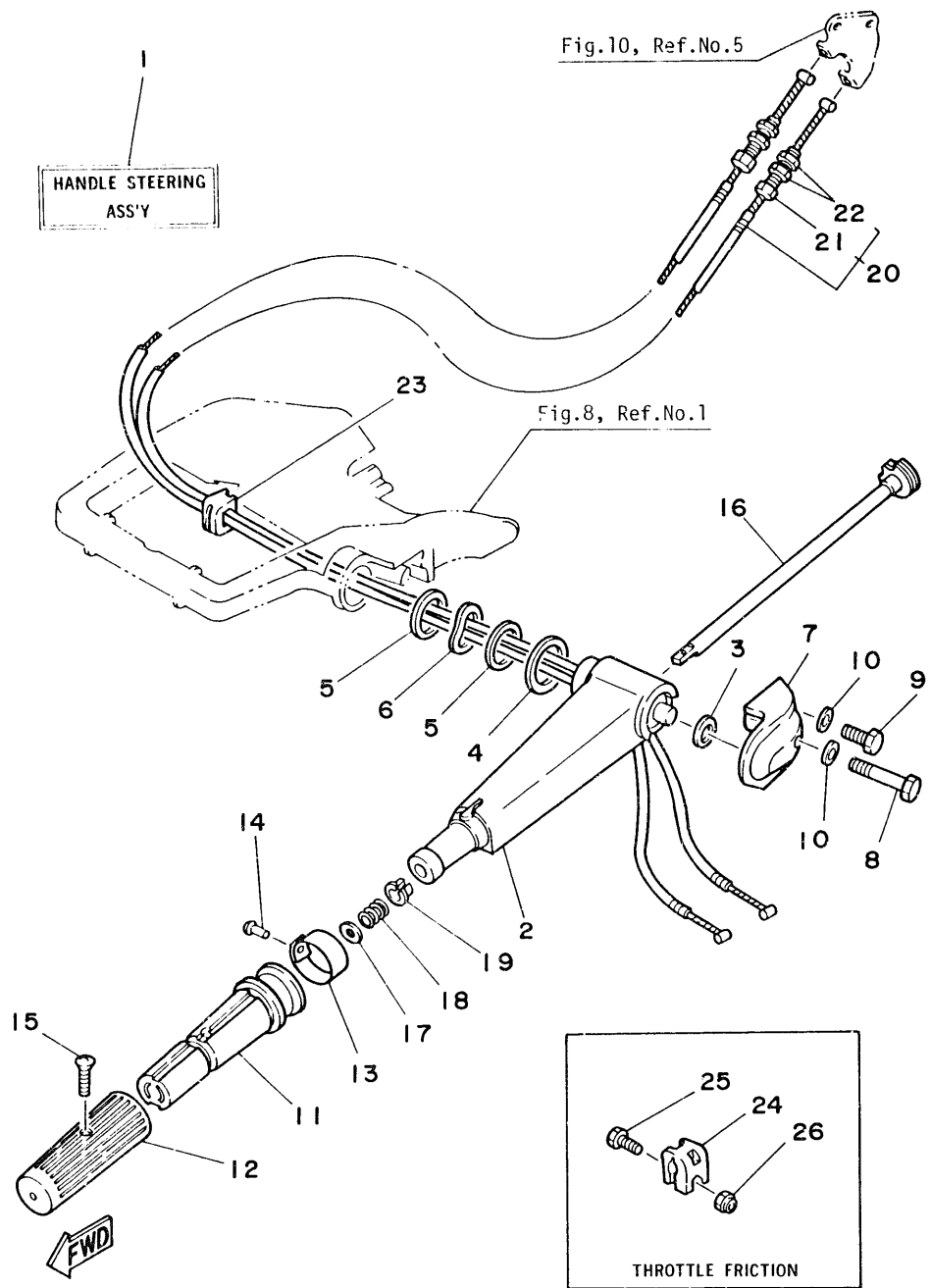


Fig. 9 STEERING

Ref No	Parts No	Description	Qty	Ref No	Parts No	Description	Qty
1	6A9-W0084-01-EJ	HANDLE STEERING ASS'Y	1	15	98180-05025	SCREW, ovalhead	1
2	689-42111-00-EJ	HANDLE, steering	1	16	689-42138-00	LEVER, throttle	1
3	90560-14076	SPACER	1	17	92903-10600	WASHER	1
4	90202-34043	WASHER	1	18	90501-23215	SPRING, compression	1
5	90201-28M28	WASHER	2	19	90386-08032	BUSHING	1
6	90206-28M07	WASHER, wave	1	20	689-26311-02	THROTTLE WIRE COMP.	2
7	689-42112-00-EJ	HANDLE, steering 2	1	21	90123-06065	. BOLT, wire adjusting	2
8	97395-06050	BOLT	1	22	90170-06183	. NUT	4
9	97395-06020	BOLT	1	23	90480-12156	GROMMET	1
10	92990-06600	WASHER	2	THROTTLE FRICTION			
11	664-42119-00	GRIP, steering handle	1	24	656-42126-01	PIECE, friction	1
12	661-42177-00	RUBBER, handle	1	25	97395-06020	BOLT	1
13	6A9-42137-20	INDICATOR, throttle	1	26	90185-06062	NUT, self-locking	1
14	90269-02001	RIVET	1				

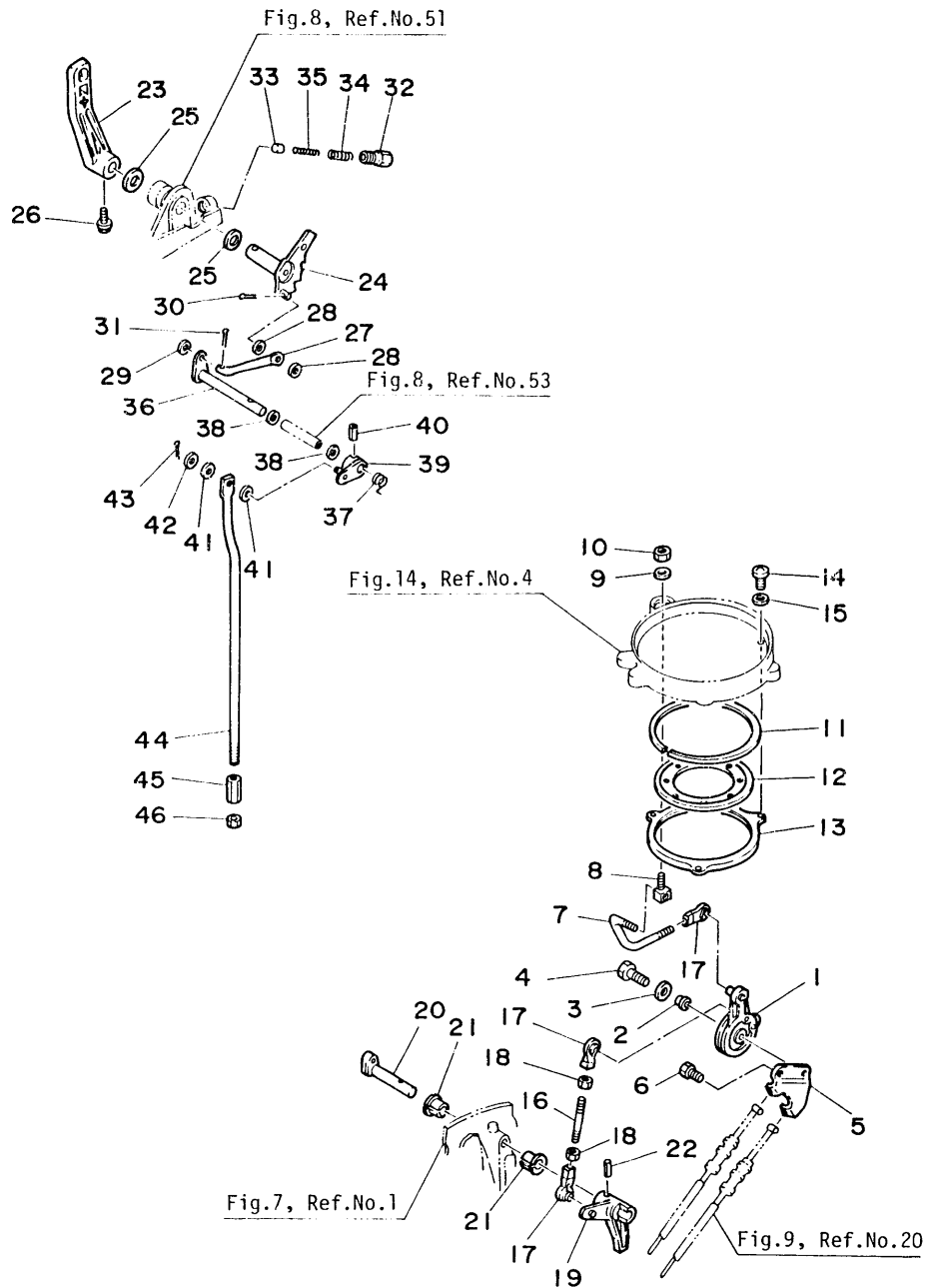


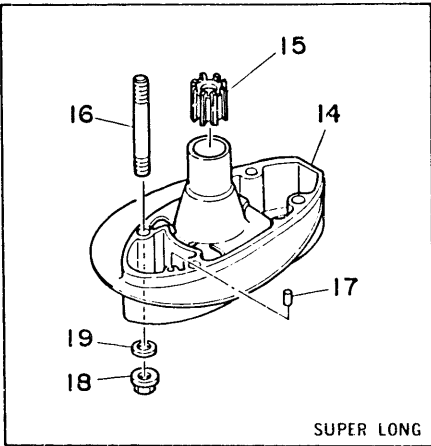
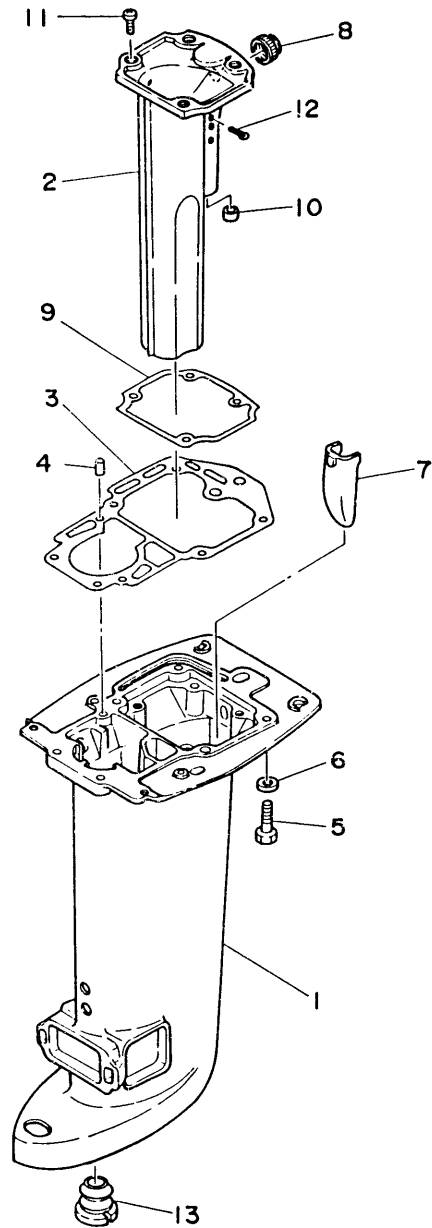
Fig. 10 CONTROL

Ref.No.	Parts No.	Description	Q'ty	Ref.No.	Parts No.	Description	Q'ty
1	664-41631-00-94	LEVER, magneto control	1	24	664-44113-01	CAM PLATE, handle	1
2	90387-06M02	COLLAR	1	25	90202-12031	WASHER	2
3	90387-06298	COLLAR	1	26	90105-06M07	BOLT	1
4	97313-06025	BOLT	1	27	664-44142-00	JOINT	1
5	664-14497-00	STAY, throttle wire	1	28	90202-06007	WASHER	2
6	97313-06012	BOLT	1	29	92990-05600	WASHER	1
7	664-41636-00	ROD, magneto control	1	30	91490-16010	PIN, cotter	1
8	648-41635-00	SHAFT, link connecting	1	31	91490-12010	PIN, cotter	1
9	90201-05556	WASHER	1	32	664-42715-00	BUSHING 2	1
10	95303-05600	NUT	1	33	664-44167-00	PLUNGER, shift cam	1
11	695-41613-00	PLATE, base friction	1	34	90501-14M07	SPRING, compression	1
12	695-41611-00-94	RETAINER, magneto base 1	1	35	90501-09M08	SPRING, compression	1
13	695-41612-00	RETAINER, magneto base 2	1	36	689-44121-01	LEVER, shift rod 1	1
14	97803-05010	SCREW, panhead	3	37	90508-14M13	SPRING, torsion	1
15	92903-05600	WASHER	3	38	90202-10024	WASHER, plate	2
16	90116-05220	BOLT, stud	1	39	689-44125-00	LEVER, shift rod 2	1
17	662-41237-01	JOINT, link 2	3	40	91690-40016	PIN, spring	1
18	95303-05600	NUT	2	41	90202-06007	WASHER	2
19	6A9-42154-00-94	LEVER, throttle control	1	42	92990-05600	WASHER	1
20	656-42153-00-94	SHAFT, throttle control	1	43	91490-20010	PIN, cotter	1
21	90386-10009	BUSHING	2	44	664-44143-00	ROD, shift 1	1
22	91690-40018	PIN, spring	1	45	648-44146-00	CONNECTOR, shift rod	1
23	689-44111-00-EJ	HANDLE, gear shift	1	46	90170-07021	NUT	1

FWD

Fig. 11 UPPER CASING

Ref No	Parts No.	Description	Q'ty	Ref No.	Parts No.	Description	Q'ty
1	689-45111-01-EJ	CASING, upper (Short)	1 U.R.	10	664-41135-00	GASKET, exhaust manifold 3	1
	689-45111-10-EJ	CASING, upper (Long, Super Long)	1 U.R.	11	97890-06016	SCREW, panhead	4
2	664-41131-01-94	MANIFOLD, exhaust 1	1	12	91490-30025	PIN, cotter	1
3	689-45113-01	GASKET, upper casing	1	13	689-45127-00	SEAL	1
4	93606-12019	PIN, dowel B	2			SUPER LONG	
5	97375-08030	BOLT	6	14	689-45211-20-EJ	EXTENSION	1
6	92990-08600	WASHER	6	15	689-45318-00	BUSHING, drive shaft 3	1
7	689-41132-00-94	MANIFOLD, exhaust 2 (Short)	1 U.R.	16	90116-10M10	BOLT, stud	4
	689-41132-10-94	MANIFOLD, exhaust 2 (Long, Super Long)	1 U.R.	17	93606-12019	PIN, dowel B	2
8	664-41133-00	GASKET, exhaust manifold 1	1	18	90179-10M03	NUT	4
9	664-41134-00	GASKET, exhaust manifold 2	1	19	92990-10600	WASHER	4

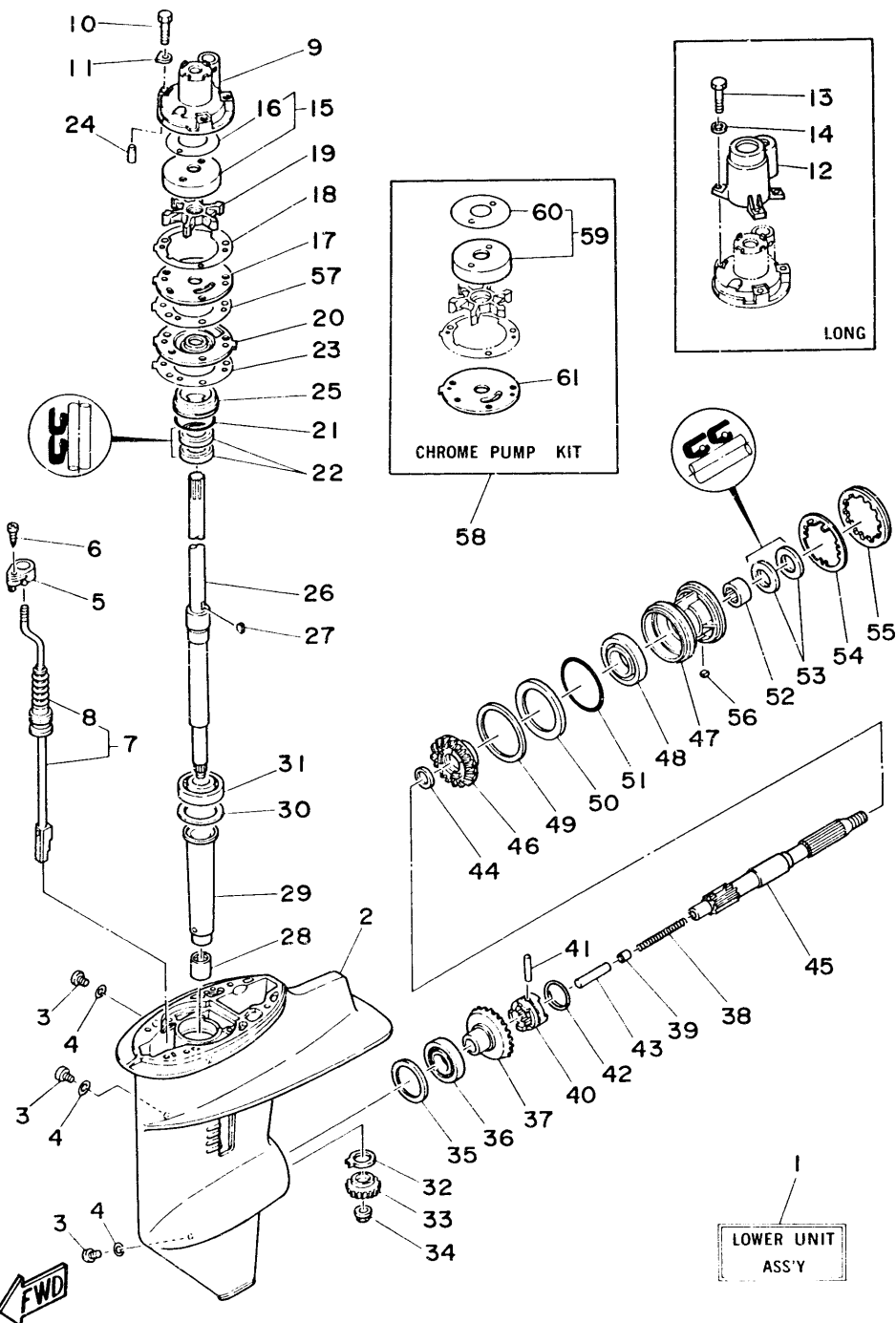


FWD

B6

Fig. 12 LOWER & DRIVE 1

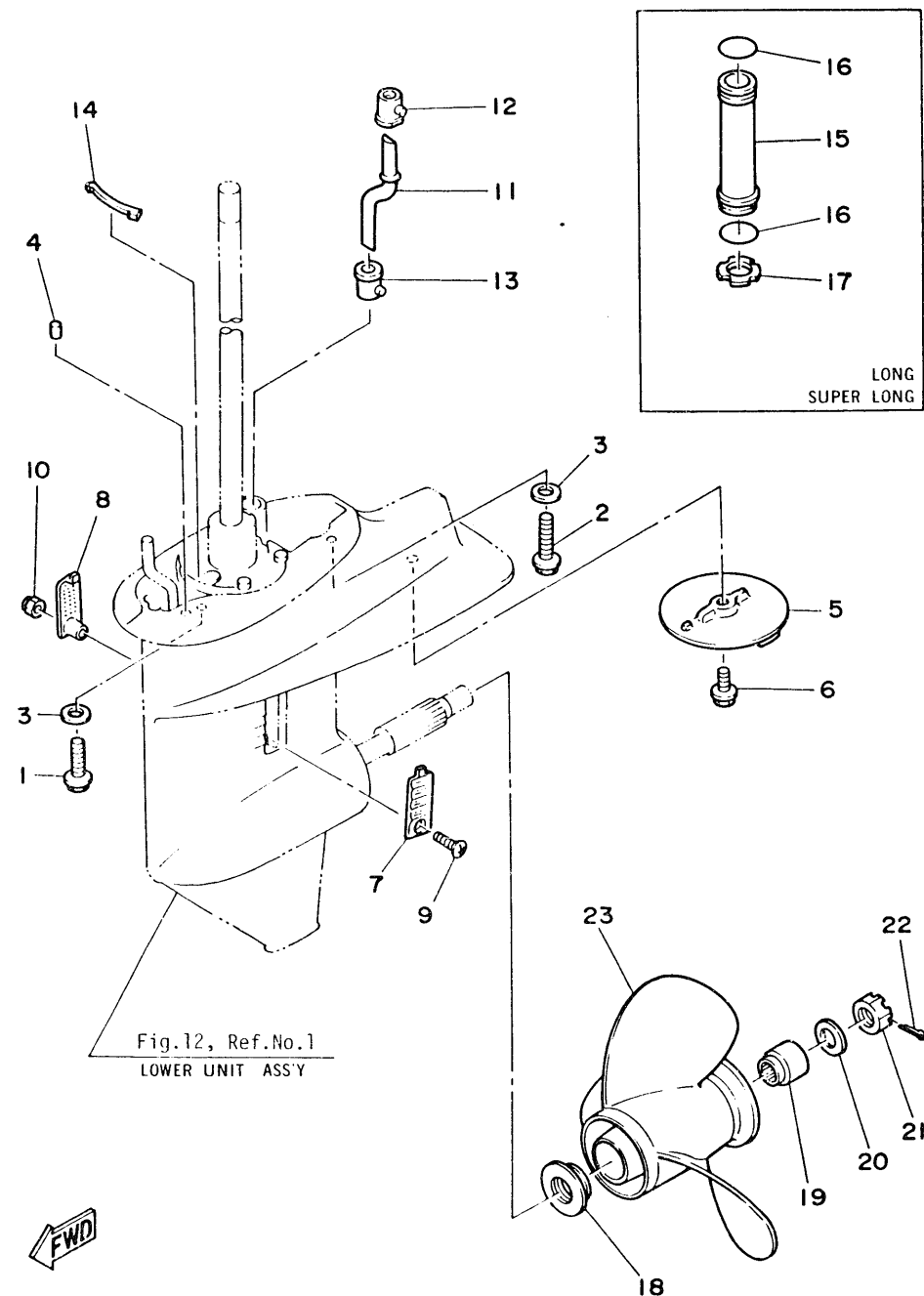
Ref No	Parts No	Description	Qty	Ref No	Parts No	Description	Qty
1	689-45300-03-EJ	LOWER UNIT ASS'Y (Short)	1 U.R.	32	664-45552-00	BEARING, plain	1
	689-45300-13-EJ	LOWER UNIT ASS'Y (Long)	1 U.R.	33	689-45551-00	PINION (13T)	1
2	689-45311-02-EJ	CASING, lower	1	34	90179-09M02	NUT	1
3	90340-08014	PLUG, straight screw	3	35	664-45567-00-05	SHIM 1 (0.05mm)	1 U.R.
4	90430-08020	GASKET	3		664-45567-00-08	SHIM 1 (0.08mm)	1 U.R.
5	689-44176-01	BRACKET	1		664-45567-00-12	SHIM 1 (0.12mm)	1 U.R.
6	97780-50110	SCREW, panhead tapping	1		664-45567-00-30	SHIM 1 (0.30mm)	1 U.R.
7	664-44150-01	SHIFT CAM ASS'Y (Short)	1 U.R.		664-45567-00-50	SHIM 1 (0.50mm)	1 U.R.
	664-44150-11	SHIFT CAM ASS'Y (Long)	1 U.R.	36	93332-00005	BEARING, taper roller	1
	664-44150-21	SHIFT CAM ASS'Y (Super Long)	1 U.R.	37	689-45530-00	GEAR 1 ASS'Y (24T)	1
8	664-44147-00	. BOOT, shift rod	1	38	90501-10065	SPRING, compression	1
9	689-44311-03	HOUSING, water pump	1	39	648-45634-00	SLIDE, shift	1
10	90101-06M56	BOLT	3	40	664-45631-00	CLUTCH, dog	1
11	90209-06M04	WASHER	3	41	90250-05010	PIN, straight	1
12	689-44312-00-9M	COVER, water pump housing (Long)	1	42	648-45633-00	RING, cross pin	1
13	97395-06035	BOLT (Long)	3	43	648-45635-00	PLUNGER, shift	1
14	92990-06600	WASHER (Long)	3	44	90201-20417	WASHER	1
15	689-44432-02	INSERT CARTRIDGE COMP.	1	45	689-45611-00	SHAFT, propeller	1
16	689-44367-01	. DAMPER, water seal 3	1	46	689-45571-00	GEAR 2 (24T)	1
17	689-44323-03	OUTER PLATE, cartridge	1	47	689-45331-00-94	HOUSING, bearing 1	1
18	689-44324-01	GASKET	1	48	93306-00606	BEARING (B6006)	1
19	689-44352-02	IMPELLER	1	49	664-45577-00-05	SHIM 2 (0.05mm)	1 U.R.
20	689-44325-02-9M	PROTECTOR, oil seal	1		664-45577-00-08	SHIM 2 (0.08mm)	1 U.R.
21	93210-40M10	O-RING	1		664-45577-00-12	SHIM 2 (0.12mm)	1 U.R.
22	93101-22067	OIL SEAL	2		664-45577-00-30	SHIM 2 (0.30mm)	1 U.R.
23	689-44315-01	GASKET, water pump 1	1		664-45577-00-50	SHIM 2 (0.50mm)	1 U.R.
24	93604-10M03	PIN, dowel B	2	50	664-45576-00	WASHER, thrust 2	1 U.R.
25	689-45344-00-94	COVER, oil seal	1	51	93210-60M17	O-RING	1
26	689-45501-00	DRIVE SHAFT COMP. (Short)	1 U.R.	52	93315-22004	BEARING, needle	1
	689-45501-10	DRIVE SHAFT COMP. (Long)	1 U.R.	53	93101-20M07	OIL SEAL	2
	689-45501-20	DRIVE SHAFT COMP. (Super Long)	1 U.R.	54	90214-45M00	WASHER, claw	1
27	664-44338-00	KEY, woodruff	1	55	664-45384-00	NUT	1
28	93315-017U4	BEARING, needle	1	56	90282-04010	KEY, straight	1
29	689-45536-00	SLEEVE, drive shaft	1	57	689-44316-00	GASKET, water pump 2	1
30	664-45587-00-05	SHIM 3 (0.05mm)	1 U.R.		CHROME PUMP KIT		
	664-45587-00-08	SHIM 3 (0.08mm)	1 U.R.	58	689-W0078-3A	CHROME PUMP KIT	1
	664-45587-00-12	SHIM 3 (0.12mm)	1 U.R.	59	689-W4432-61	. INSERT CARTRIDGE COMP.	1
	664-45587-00-30	SHIM 3 (0.30mm)	1 U.R.	60	689-44367-01	. DAMPER, water seal 3	1
	664-45587-00-50	SHIM 3 (0.50mm)	1 U.R.	61	689-44323-43	. OUTER PLATE, cartridge	1
31	93332-000U4	BEARING, taper roller	1				



B7

Fig. 13 LOWER & DRIVE 2

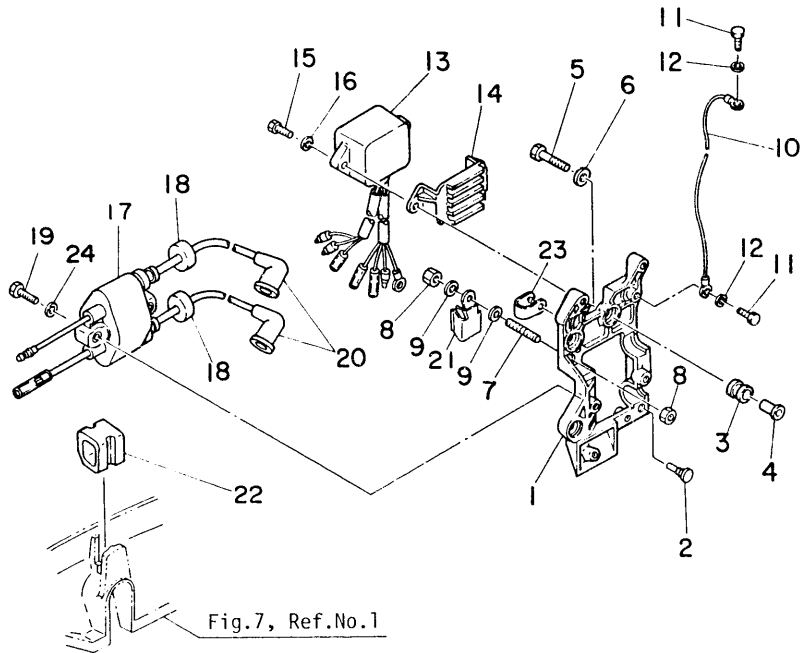
Ref No	Parts No	Description	Qty	Ref No	Parts No	Description	Qty
1	90105-10059	BOLT	2	14	689-44314-00	SPACER	1
2	90105-10M12	BOLT	2	15	689-44362-00-94	TUBE, water 2 (Long, Super Long)	1
3	92990-10600	WASHER	4	16	93210-26240	O-RING (Long, Super Long)	2
4	93606-12019	PIN, dowel B	2	17	689-44328-03	PLATE (Long, Super Long)	1
5	664-45371-01	TAB-IRIM	1	18	664-45987-00	SPACER 1	1
6	90105-08M02	BOLT	1	19	689-45997-00	SPACER 2	1
7	689-45214-01	COVER, water inlet 1	1	20	92990-14200	WASHER	1
8	689-45215-01	COVER, water inlet 2	1	21	90171-14013	WHL, castle	1
9	98180-05025	SCREW, ovalhead	1	22	91490-30022	PIN, cotter	1
10	90185-05002	NUT, self-locking	1	23	664-45941-01-EL	PROPELLER ASS'Y 1(3x9"x9"-F)	1 U.R.
11	664-44361-00	TUBE, water 1 (Short)	1 U.R.		664-45943-01-EL	PROPELLER ASS'Y 2(3x9"x8"-F)	1 U.R.
	689-44361-10	TUBE, water 1 (Long)	1 U.R.		664-45945-00-EL	PROPELLER ASS'Y 3(3x9"x10"-F)	1 U.R.
	689-44361-20	TUBE, water 1 (Super Long)	1 U.R.		664-45947-01-EL	PROPELLER ASS'Y 4(3x9"x11"-F)	1 U.R.
12	689-44366-00	DAMPER, water seal 2	1		664-45949-02-EL	PROPELLER ASS'Y 5(3x9"x13"-F)	1 U.R.
13	626-44365-01	DAMPER, water seal 1	1		664-45952-00-EL	PROPELLER ASS'Y 6(3x9"x14"-F)	1 U.R.



C1

Fig. 15 ELECTRIC PARTS

Ref.No	Parts No.	Description	Q'ty	Ref.No	Parts No	Description	Q'ty
1	695-85542-00-94	BRACKET	1	13	695-85540-10	C.D.I. UNIT ASS'Y	1
2	689-85547-00	DAMPER	1	14	689-85548-01	HOLDER, wire harness	1
3	663-82317-00	DAMPER	3	15	97313-06025	BOLT	2
4	624-42542-00	PIPE 1	3	16	92903-06600	WASHER	2
5	97313-06025	BOLT	3	17	6E7-85570-19	IGNITION COIL ASS'Y	1
6	90201-06050	WASHER	3	18	90480-25161	GROMMET	2
7	90116-06M07	BOLT, stud	1	19	97313-06025	BOLT	2
8	95303-06600	NUT	2	20	6G1-82370-20	PLUG CAP ASS'Y	2
9	92903-06600	WASHER	2	21	90465-08M13	CLAMP	1
10	689-82519-00	WIRE, earth lead	1	22	90480-17M08	GROMMET	1
11	97313-06012	BOLT	2	23	90464-12M00	CLAMP	1
12	92903-06100	WASHER	2	24	92903-06600	WASHER	2



FWD

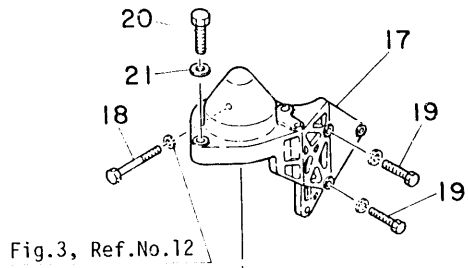


Fig.3, Ref.No.12

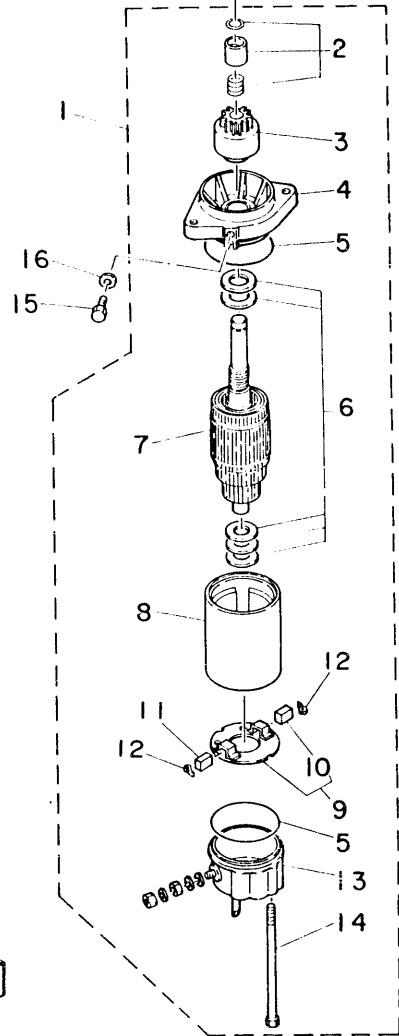


Fig. 16 ELECTRIC MOTOR (20CE MODEL)

Ref No	Parts No.	Description	Q'ty	Ref No	Parts No.	Description	Q'ty
1	689-81800-12	ELECTRIC MOTOR ASS'Y	1	12	689-81813-10	. SPRING, brush	2
2	689-81857-11	. PINION STOPPER SET	1	13	689-81820-11	. REAR COVER ASS'Y	1
3	689-81807-12	. PINION ASS'Y (111)	1	14	689-81826-10	. BOLT	2
4	689-81830-11	. FRONT COVER ASS'Y	1	15	97370-08012	BOLT	1
5	689-81844-11	. O-RING	2	16	92903-08600	WASHER	1
6	689-81809-11	. WASHER KIT	1	17	695-15772-40-94	STAY 2	1
7	689-81850-11	. ARMATURE ASS'Y	1	18	97395-06050	BOLT	1
8	689-81810-11	. STATOR ASS'Y	1	19	97395-06030	BOLT	2
9	689-81840-11	. BRUSH HOLDER ASS'Y	1	20	97395-08030	BOLT	2
10	689-81812-11	. BRUSH 2 (-)	1	21	92903-08600	WASHER	2
11	689-81811-11	. BRUSH 1 (+)	1				

Fig. 17 ELECTRIC PARTS (20CE MODEL)

Ref No	Parts No.	Description	Qty	Ref.No.	Parts No.	Description	Qty
1	661-81940-00	STARTER RELAY ASS'Y	1	19	689-86112-01	STAY, solenoid	1
2	661-81941-10	. STARTER RELAY	1	20	90480-10155	GROMMET	1
3	661-81952-00	. HOLDER, starter relay	1	21	98503-04005	SCREW, panhead	4
4	695-81945-00	PLATE, switch fitting	1	22	97803-05012	SCREW, panhead	2
5	695-82531-01	WIRE, lead	1	23	92903-05600	WASHER	2
6	664-81970-60	RECTIFIER ASS'Y	1	24	93210-03261	O-RING	1
7	97803-05025	SCREW, panhead	1	25	97313-06012	BOLT	1
8	92903-05600	WASHER	1	26	92903-06600	WASHER	1
9	97313-06012	BOLT	1	27	689-82580-13	WIRE HARNESS ASS'Y	1
10	92903-06100	WASHER	1	28	689-82105-12	. WIRE LEAD ASS'Y	1
11	682-82150-10	FUSE HOLDER ASS'Y	1	29	669-82590-11	. WIRE LEAD ASS'Y	1
12	663-82151-00	. FUSE (12V-20A)	1	30	689-42724-50	. GROMMET	1
13	689-82540-01	NEUTRAL SWITCH ASS'Y	1	31	90480-17165	GROMMET	1
14	656-15774-41	STAY 4	1	32	689-82594-10	CLAMP	1
15	689-86111-01	COIL, solenoid	1	33	682-42525-00	PLATE, friction 1	1
16	682-86117-00	HOOK, wire pull	1	34	90161-06M00	SCREW, flathead tapping	1
17	91690-30010	PIN, spring	1	35	90480-17M08	GROMMET	3
18	682-86116-00	WIRE, pull	1				

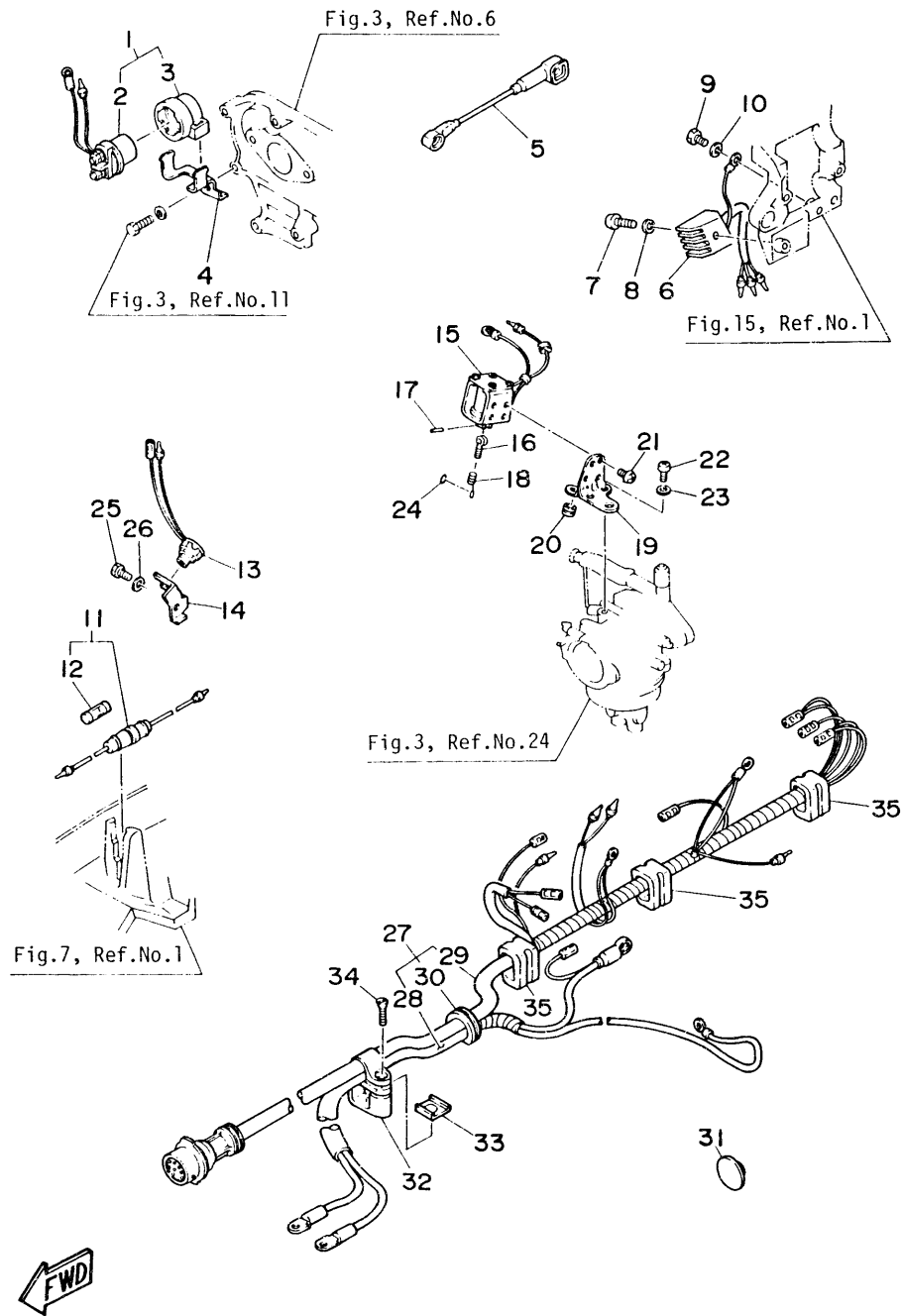
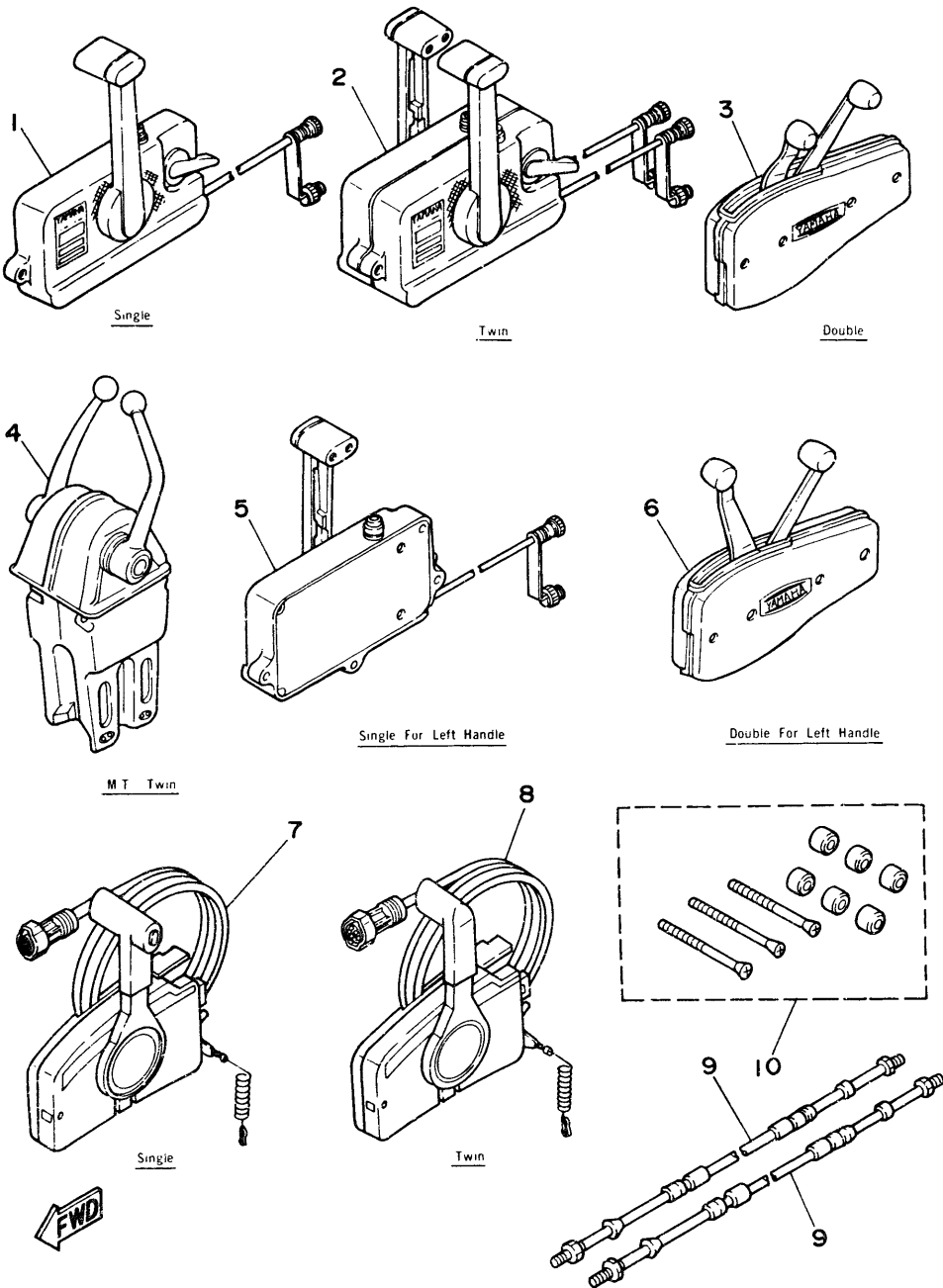


Fig. 18 REMOTE CONTROL

Ref.No	Parts No	Description	Qty	Ref.No	Parts No	Description	Qty
REMOTE CONTROL							
*1	701-48101-10	REMOTE CONTROL ASS'Y 1	1 U.R.	9	701-48320-00	CABLE, remote control 12F	2 U.R.
*2	701-48110-22	REMOTE CONTROL ASS'Y 2	1 U.R.		701-48320-20	CABLE, remote control 13F	2 U.R.
3	701-48110-31	REMOTE CONTROL ASS'Y 3	1 U.R.		701-48320-30	CABLE, remote control 14F	2 U.R.
4	701-48110-80	REMOTE CONTROL ASS'Y 8	1 U.R.		701-48320-50	CABLE, remote control 15F	2 U.R.
*5	701-48102-10	REMOTE CONTROL ASS'Y 1	1 U.R.		701-48320-60	CABLE, remote control 16F	2 U.R.
6	701-48120-31	REMOTE CONTROL ASS'Y 3	1 U.R.		701-48320-80	CABLE, remote control 17F	2 U.R.
*7	703-48230-10	REMOTE CONTROL ASS'Y 1	1 U.R.		701-48320-90	CABLE, remote control 18F	2 U.R.
*8	703-48220-10	REMOTE CONTROL ASS'Y 1 (Twin Lever)	1 U.R.		701-48320-40	CABLE, remote control 19F	2 U.R.
9	701-48310-40	CABLE, remote control 8F	2 U.R.		701-48320-70	CABLE, remote control 20F	2 U.R.
	701-48310-60	CABLE, remote control 9F	2 U.R.		701-48350-00	CABLE, remote control 21F	2 U.R.
	701-48310-80	CABLE, remote control 10F	2 U.R.	10	701-48350-10	CABLE, remote control 22F	2 U.R.
	701-48310-90	CABLE, remote control 11F	2 U.R.		701-48350-20	CABLE, remote control 23F	2 U.R.
					703-48290-01	TWIN ATTACHMENT (703 Type)	1 U.R.

*See Fig. 21, 22 for detail service parts.



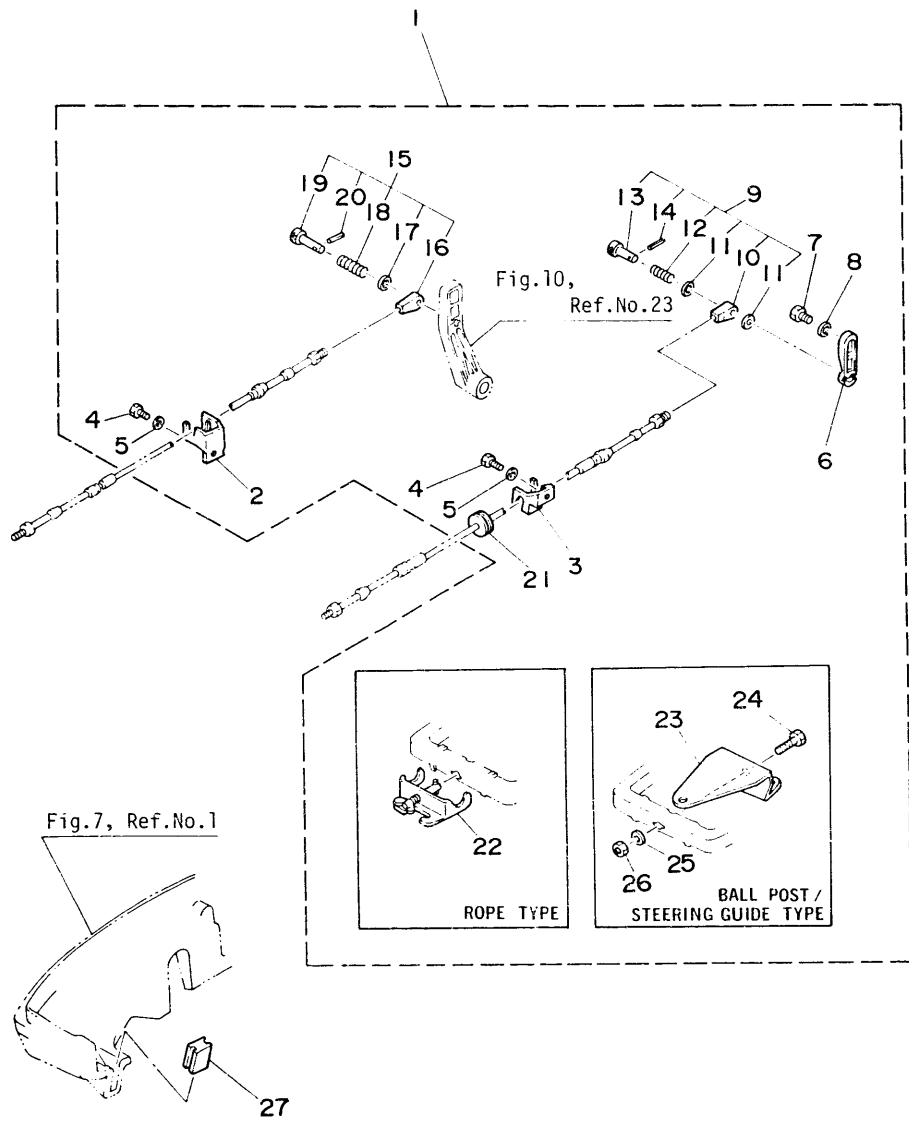
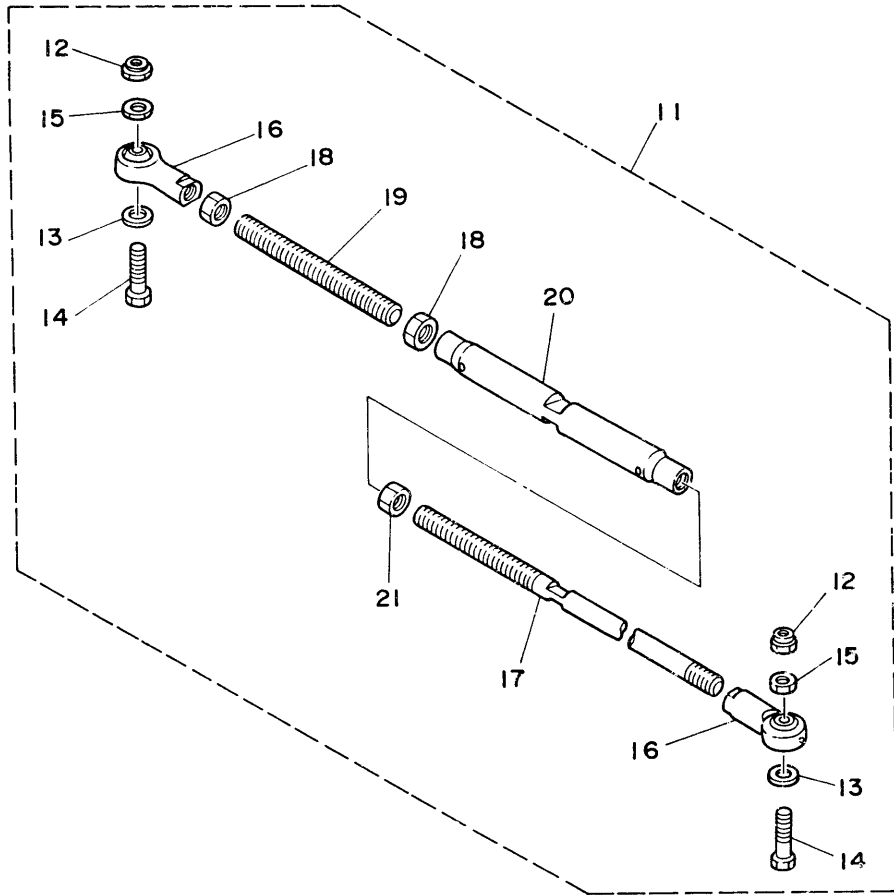
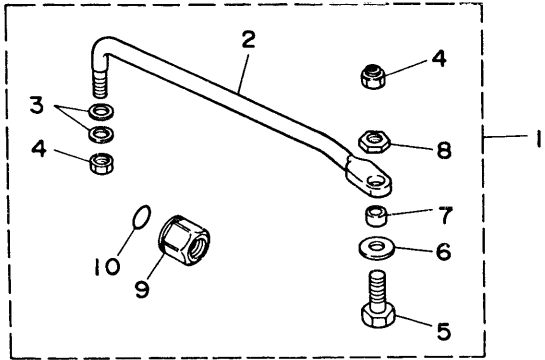


Fig. 19 ATTACHMENT ASS'Y

Ref No.	Parts No.	Description	Qty	Ref No.	Parts No.	Description	Qty
REMOTE CONTROL ATTACHMENT							
1	689-48501-01-EJ	ATTACHMENT ASS'Y (Rope Type)		14	91690-30012	. . . PIN, spring	1
	(Ref. No. 2 to 22)		1	15	648-48330-50	. . . CABLE END ASS'Y (Shift)	1
	689-48501-21-EJ	ATTACHMENT ASS'Y		16	648-48346-50	. . . CABLE END, remote control	1
	(Ball Post/Steering Guide Type)		1	17	92990-08200	. . . WASHER	1
	(Ref. No. 2 to 21, 23 to 26)		1	18	90501-10071	. . . SPRING, compression	1
2	648-48531-50	. BRACKET, remote control 1	1	19	617-48331-90	. . . HOOK, cable 1	1
3	648-48532-50	. BRACKET, remote control 2	1	20	91690-30012	. . . PIN, spring	1
4	97310-06016	. BOLT	2	21	90480-22039	. GROMMET	1
5	92990-06600	. WASHER	2	ROPE TYPE			
6	648-48534-50-EJ	. THROTTLE LEVER, control	1	22	700-48510-12	. STEERING HOOK ASS'Y	1
7	97395-06012	. BOLT	1	BALL POST/STEERING GUIDE TYPE			
8	92990-06600	. WASHER	1	23	689-48511-00	. HOOK, steering	1
9	648-48340-50	. CABLE END ASS'Y (Throttle)	1	24	97375-10040	. BOLT	1
10	648-48346-50	. . . CABLE END, remote control	1	25	92990-10600	. WASHER	1
11	92990-08200	. . . WASHER	2	26	90185-10051	. NUT, self-locking	1
12	90501-10264	. . . SPRING, compression	1	OPTIONAL PARTS			
13	617-48361-90	. . . HOOK, cable	1	27	676-42724-40	GROMMET	1 A.P.



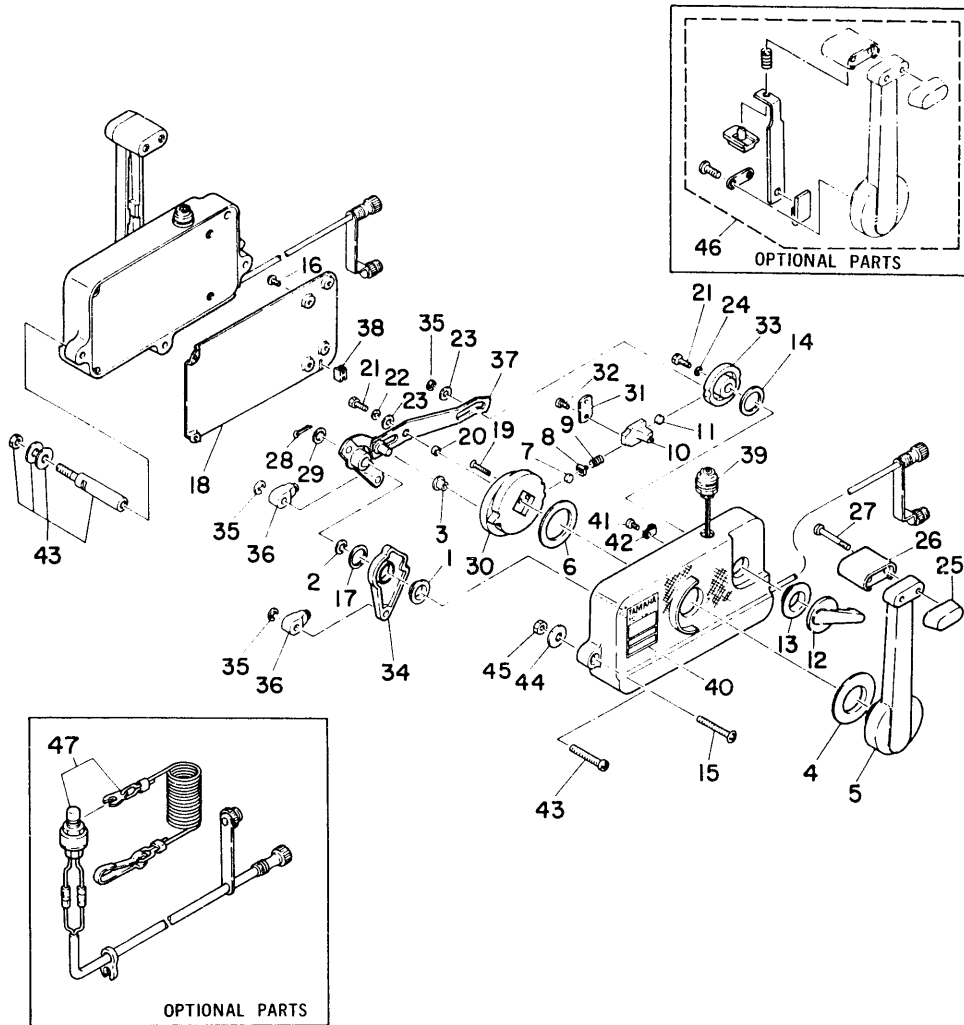
D1

Fig. 20 STEERING GUIDE ATTACHMENT

Ref.No.	Parts No.	Description	Qty	Ref.No.	Parts No.	Description	Qty
1	689-61350-02	STEERING GUIDE ATTACHMENT KIT	1	12	90185-09M01	. NUT, self-locking	2
2	689-61351-01	. ROD, steering link	1	13	90201-10M76	. WASHER	2
3	90201-10M20	. WASHER	2	14	90101-09M70	. BOLT	2
4	90185-09M01	. NUT, self-locking	2	15	90170-09M05	. NUT	2
5	90101-09M66	. BOLT	1	16	6E5-61303-00	. STEERING EYE COMP.	2
6	90201-10M63	. WASHER	1	17	688-61311-10	. TIE BAR 1	1
7	90387-10M42	. COLLAR	1	18	95380-14700	. NUT	2
8	90170-09MC3	. NUT	1	19	6E5-61315-00	. TIE BAR 2	1
9	6E5-43145-00	. CAP, clamp bracket	1	20	6E5-61313-00	. ADJUSTER	1
10	93210-16275	. O-RING	1	21	90170-14M06	. NUT	1
11	688-61301-00	TWIN KIT	1				

Fig. 21 REMOTE CONTROL ASS'Y 1 (701 TYPE)

Ref.No	Parts No.	Description	Q'ty	Ref.No	Parts No.	Description	Q'ty
701-48101-10		REMOTE CONTROL ASS'Y (Right) (See Fig. 18, Ref. No. 1)	1	22	702-48288-00	. WASHER, plain	1
701-48102-10		REMOTE CONTROL ASS'Y (Left) (See Fig. 18, Ref. No. 5)	1	23	701-48246-00	. SPACER 1	2
701-48110-22		REMOTE CONTROL ASS'Y (See Fig. 18, Ref. No. 2)	1	24	92990-06300	. WASHER, internal tooth	1
1	701-48235-00	. BUSHING 2	1	25	701-48229-00	. GRIP, control lever 2	1
2	701-48197-10	. WASHER, wave 2	1	26	701-48222-00	. GRIP, control lever 1	1
3	701-48252-00	. ROLLER, cam	1	27	701-48282-00	. SCREW 2	2
4	701-48234-00	. BUSHING 1	1	28	701-48239-00	. SET PIN, plate	1
5	701-48221-00	. LEVER, control	1	29	701-48266-00	. SPACER 2	1
6	701-48196-11	. WASHER, wave 1	1	30	701-48232-00	. GEAR 1	1
7	701-48236-00	. ROLLER, detent	1	31	701-48189-11	. RETAINER	1
8	702-48237-00	. ADAPTOR	1	32	98580-05010	. SCREW, panhead	2
9	702-48238-00	. SPRING, detnet	1	33	704-48153-12	. SHAFT, free accel.	1
10	701-48249-00	. ADAPTOR, spring	1	34	701-48271-00	. ARM, shift (Right)	1
11	701-48248-00	. ROLLER, free accel.	1	701-48271-10	. ARM, shift (Left)	1	
12	701-48152-11	. KNOB, free accel. (Right)	1	35	93430-06024	. CIRCLIP	3
701-48152-20		. KNOB, free accel. (Left)	1	36	701-48345-30	. CABLE END, remote control 2	2
13	701-48243-00	. BUSHING 3	1	37	701-48261-00	. ARM, throttle (Right)	1
14	701-48198-10	. WASHER, wave 3	1	701-48261-10	. ARM, throttle (Left)	1	
15	701-48281-10	. SCREW 1	3	38	701-48358-00	. ANCHOR, cable 2	1
16	701-48289-00	. SCREW 4	4	39	701-82550-50	. STOP SWITCH ASS'Y	1
17	701-48268-00	. SPACER 3	1	40	701-48126-00	. GRAPHIC	1
18	701-48213-00	. PLATE	1	41	701-48283-00	. SCREW 3	1
19	92780-06025	. SCREW, flathead	2	42	701-82594-00	. CLAMP	1
20	701-48255-00	. COLLAR 1	1	43	701-48291-00	. ATTACHMENT	-
21	97390-06018	. BOLT	2	44	701-48287-00	. WASHER	3
				45	95380-06600	. NUT	3
						OPTIONAL PARTS	
				46	701-48280-00	NEUTRAL LOCK KIT	1
				47	701-82575-51	KILL SWITCH ASS'Y	1

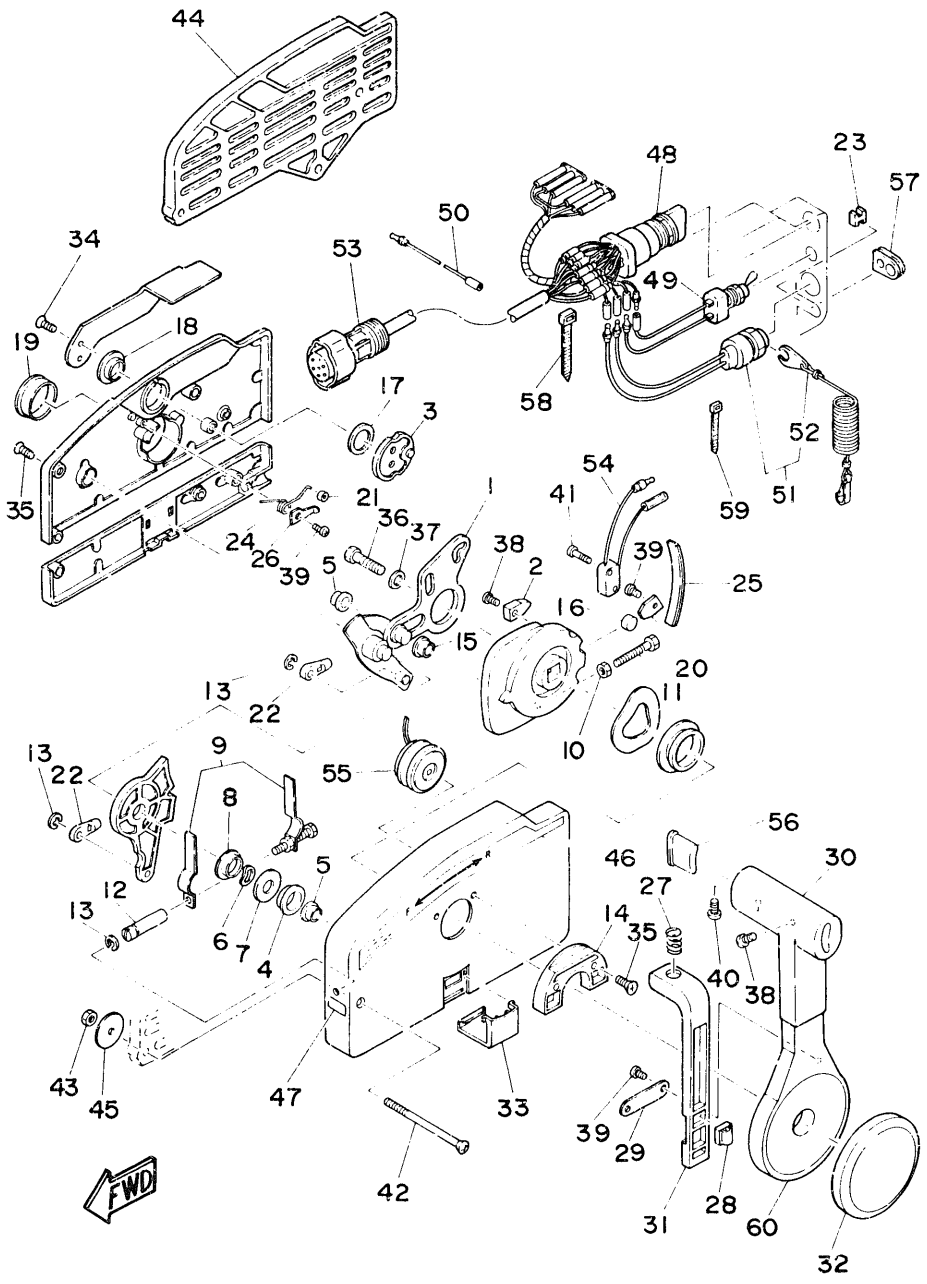


FWD

D2

Fig. 22 REMOTE CONTROL ASS'Y 2 (703 TYPE)

Ref.No.	Parts No.	Description	Q'ty	Ref.No.	Parts No.	Description	Q'ty
	703-48230-10	REMOTE CONTROL ASS'Y (See Fig. 18, Ref. No. 7)	1	31	703-48223-00	. LOCK, neutral	1
	703-49220-10	REMOTE CONTROL ASS'Y (Twin Lever) (See Fig. 18, Ref. No. 8)	1	32	703-48225-00	. COVER	1
1	703-48261-00	. ARM, throttle	1	33	703-48219-00	. COVER, lead	1
2	703-82554-00	. STAY, neutral switch	1	34	98780-05012	. SCREW	2
3	703-48153-00	. SHAFT, free accel.	1	35	98780-05016	. SCREW	7
4	702-48235-00	. BUSHING 2	1	36	98380-08030	. BOLT	1
5	703-48273-00	. BUSHING 5	2	37	92990-08600	. WASHER	1
6	703-48197-00	. WASHER, wave 2	1	38	98580-04010	. SCREW	2
7	703-48268-00	. SPACER 3	1	39	98580-04006	. SCREW	4
8	703-48263-00	. BUSHING 4	1	40	98580-05010	. SCREW	1
9	703-48264-00	. THROTTLE, friction	1	41	98580-03015	. SCREW	2
10	95380-05600	. NUT	1	42	92680-06090	. SCREW	3
11	97380-05025	. BOLT	1	43	95380-06600	. NUT	3
12	703-48265-00	. SHAFT, friction	1	44	703-48293-10	. SPACER, remote control	1 U.R.
13	93430-06024	. CIRCLIP	3		703-48293-00	. SPACER, remote control (Twin Lever)	1 U.R.
14	703-48245-00	. PLATE, lock	1	45	701-48287-00	. WASHER	3
15	703-48252-00	. ROLLER, cam	1	46	703-48215-00	. GRAPHIC	1
16	701-48248-00	. ROLLER, free accel.	1	47	702-48217-00	. MARK 1	1
17	703-48198-00	. WASHER, wave 3	1	48	703-82510-01	. MAIN SWITCH ASS'Y	1
18	703-48243-00	. BUSHING 3	1	49	688-82574-00	. SWITCH, choke	1
19	703-48236-00	. BUSHING 1	2	50	703-82531-00	. WIRE, lead	1
20	703-48189-00	. RETAINER	1	51	688-82575-01	. KILL SWITCH ASS'Y	1
21	703-48234-00	. ROLLER, detent	1	52	682-82556-00	. STOPPER ASS'Y	1
22	703-48345-00	. CABLE END, remote control 2	2	53	688-82586-21	. EXTENSION, wire harness	1
23	703-48358-00	. ANCHOR, cable 2	1	54	703-82540-00	. NEUTRAL SWITCH ASS'Y	1
24	703-48244-00	. SPRING, free accel.	1	55	703-83383-00	. BUZZER	1
25	703-48238-00	. SPRING, detent	5	56	703-48224-00	. COVER, control lever	1
26	703-48246-00	. SPACER 1	1	57	703-48284-00	. GROMMET 1	1
27	703-48227-00	. SPRING, neutral lock	1	58	703-82591-00	. BAND	2
28	703-82594-00	. CLAMP	1	59	703-82592-00	. BAND	1
29	703-48226-00	. PLATE, stopper	1	60	703-48221-00	. GRIP	1
30	703-48222-00	. GRIP, control lever	1 U.R.				
	703-48222-10	. GRIP, control lever (Twin Lever)	1 U.R.				



D3

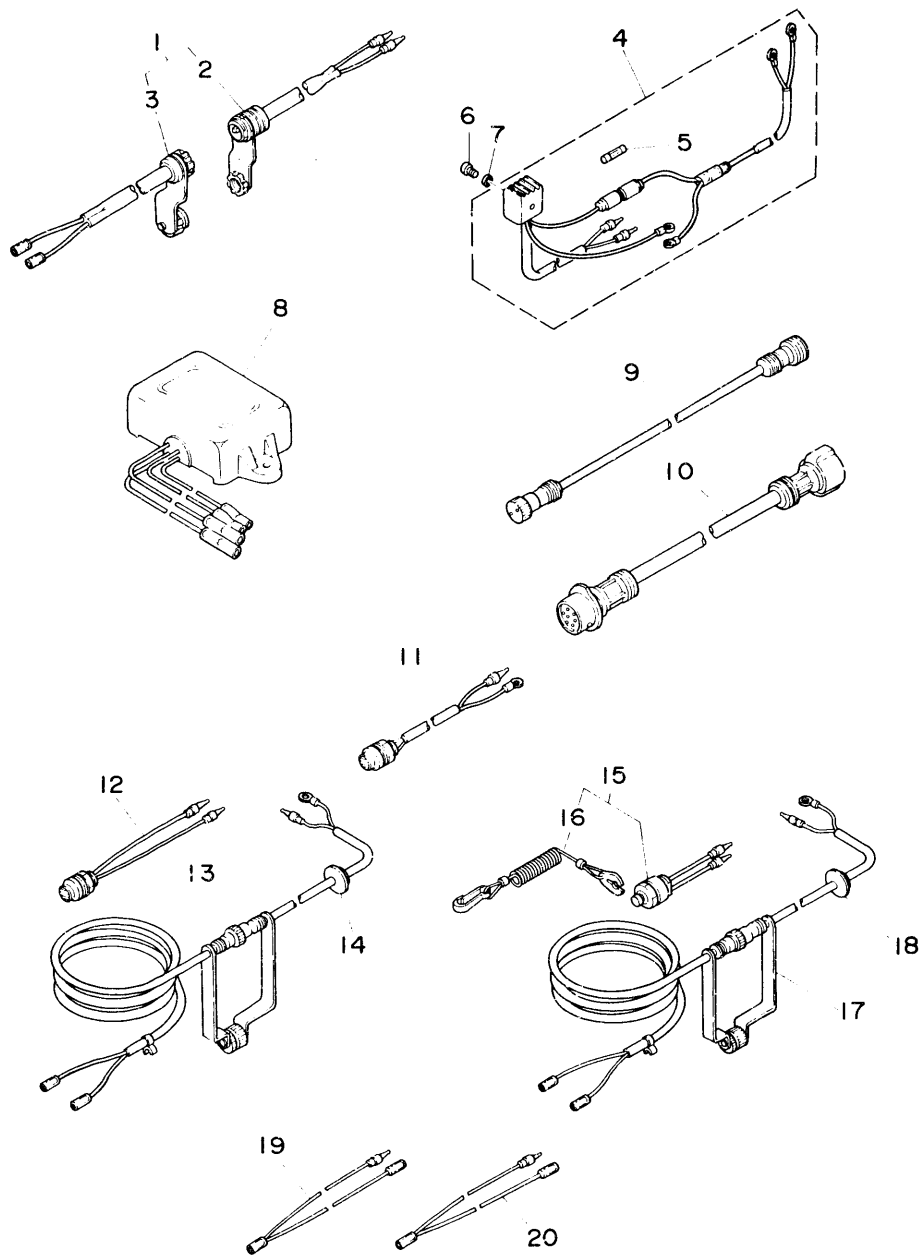
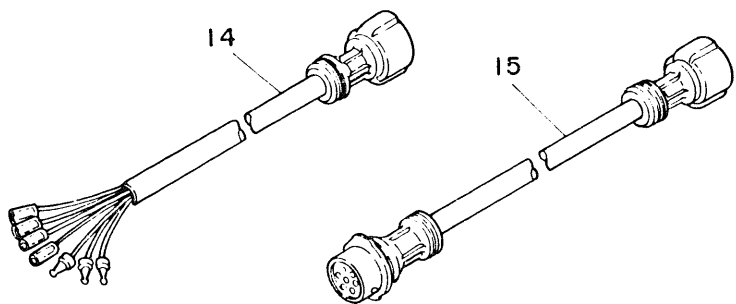
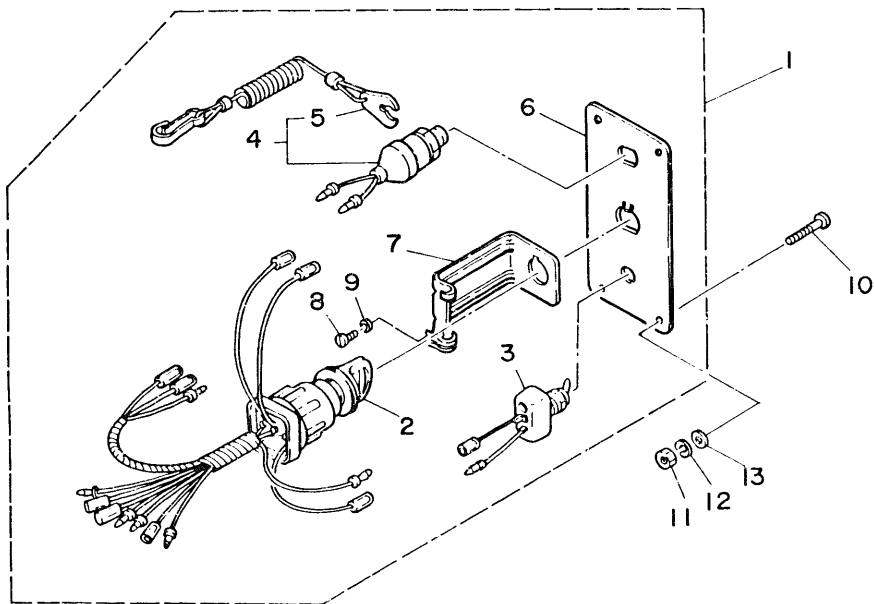


Fig. 23 OPTIONAL PARTS 1

Ref.No.	Parts No.	Description	Qty	Ref.No.	Parts No.	Description	Qty
CONCENT 2P				STOP SWITCH			
1	682-84380-00	CONCENT 2P ASS'Y	1	11	689-82550-01	STOP SWITCH ASS'Y	1
2	682-84381-00	. 2P CONCENT 1	1	STOP SWITCH (5m)			
3	682-84382-00	. 2P CONCENT 2	1	12	689-82550-11	STOP SWITCH ASS'Y	1
RECTIFIER				13	689-82553-20	EXTENSION, wire lead (5m)	1
4	676-81970-00	RECTIFIER ASS'Y	1	14	689-42725-40	GROMMET 2	1
5	663-82151-00	. FUSE (12V-20A)	1	KILL SWITCH (5m)			
VOLTAGE REGULATOR				15	689-82575-12	KILL SWITCH ASS'Y	1
6	97803-06025	SCREW, panhead	1	STOPPER ASS'Y			
7	92903-05600	WASHER	1	16	682-82556-00	. STOPPER ASS'Y	1
VOLTAGE REGULATOR				17	689-82553-20	EXTENSION, wire lead (5m)	1
8	663-81910-10	VOLTAGE REGULATOR ASS'Y	1	18	689-42725-40	GROMMET 2	1
EXTENSION WIRE				LEAD WIRE			
9	689-82553-10	EXTENSION, wire lead (2m)	1	19	699-82149-A0	WIRE, lead (Gray)	1
10	688-82586-11	EXTENSION, wire harness (2m)	1	20	699-82149-00	WIRE, lead (Orange)	1

Fig. 24 OPTIONAL PARTS 2

Ref No.	Parts No.	Description	Qty	Ref No.	Parts No.	Description	Qty
1	689-82570-13	SWITCH PANEL ASS'Y	1	9	92901-04100	WASHER	1
2	688-82510-11	MAIN SWITCH ASS'Y	1	10	98903-05025	SCREW, bind	4
3	688-82574-00	SWITCH, choke	1	11	95303-05600	NUT	4
4	688-82575-01	KILL SWITCH ASS'Y	1	12	92903-05100	WASHER	4
5	682-82556-00	STOPPER ASS'Y	1	13	92903-05600	WASHER	4
6	689-82571-01	PANEL, switch	1	14	688-82586-21	EXTENSION, wire harness (5m)	1
7	663-82581-01	STAY, cord clamp	1	15	688-82586-11	EXTENSION, wire harness (2m)	1 U.R.
8	98303-04008	SCREW, cylinderhead	1		688-82586-31	EXTENSION, wire harness (3m)	1 U.R.



FWD

D5

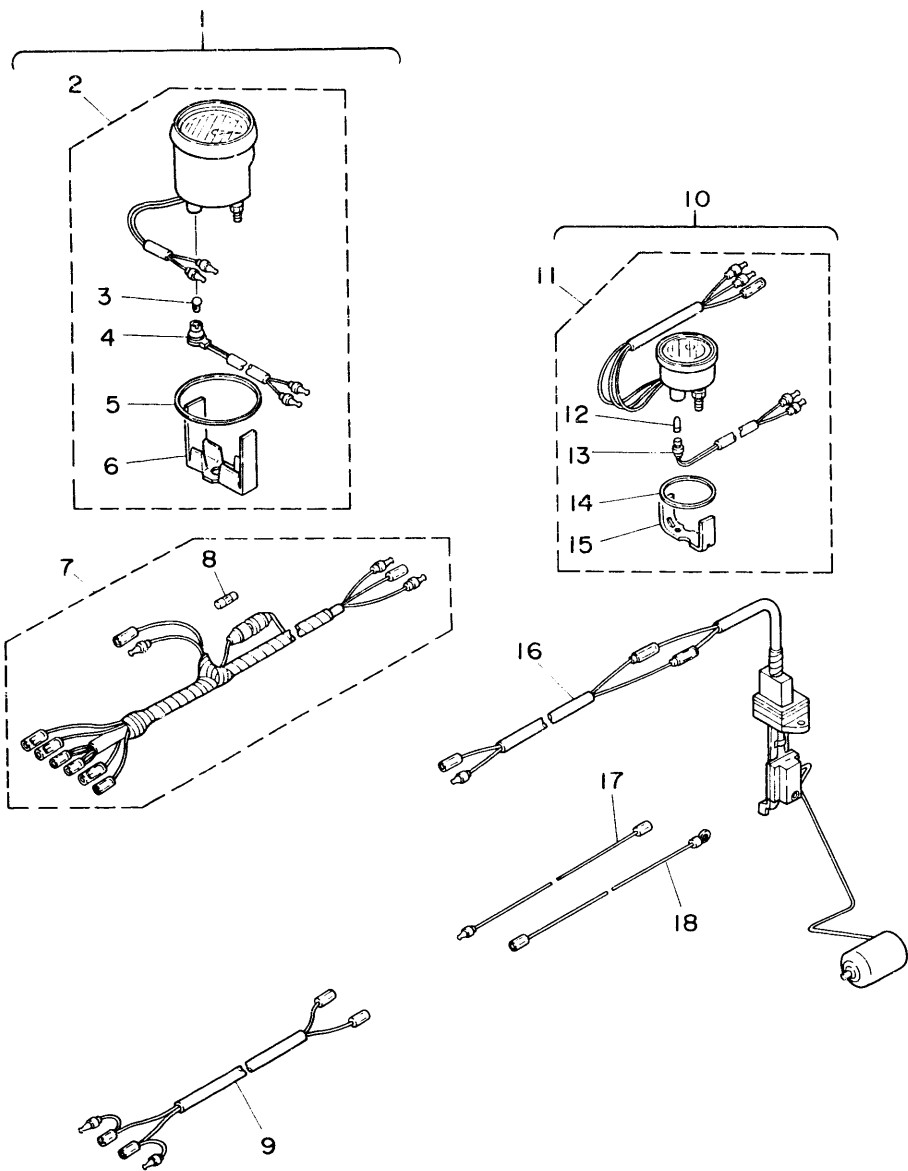
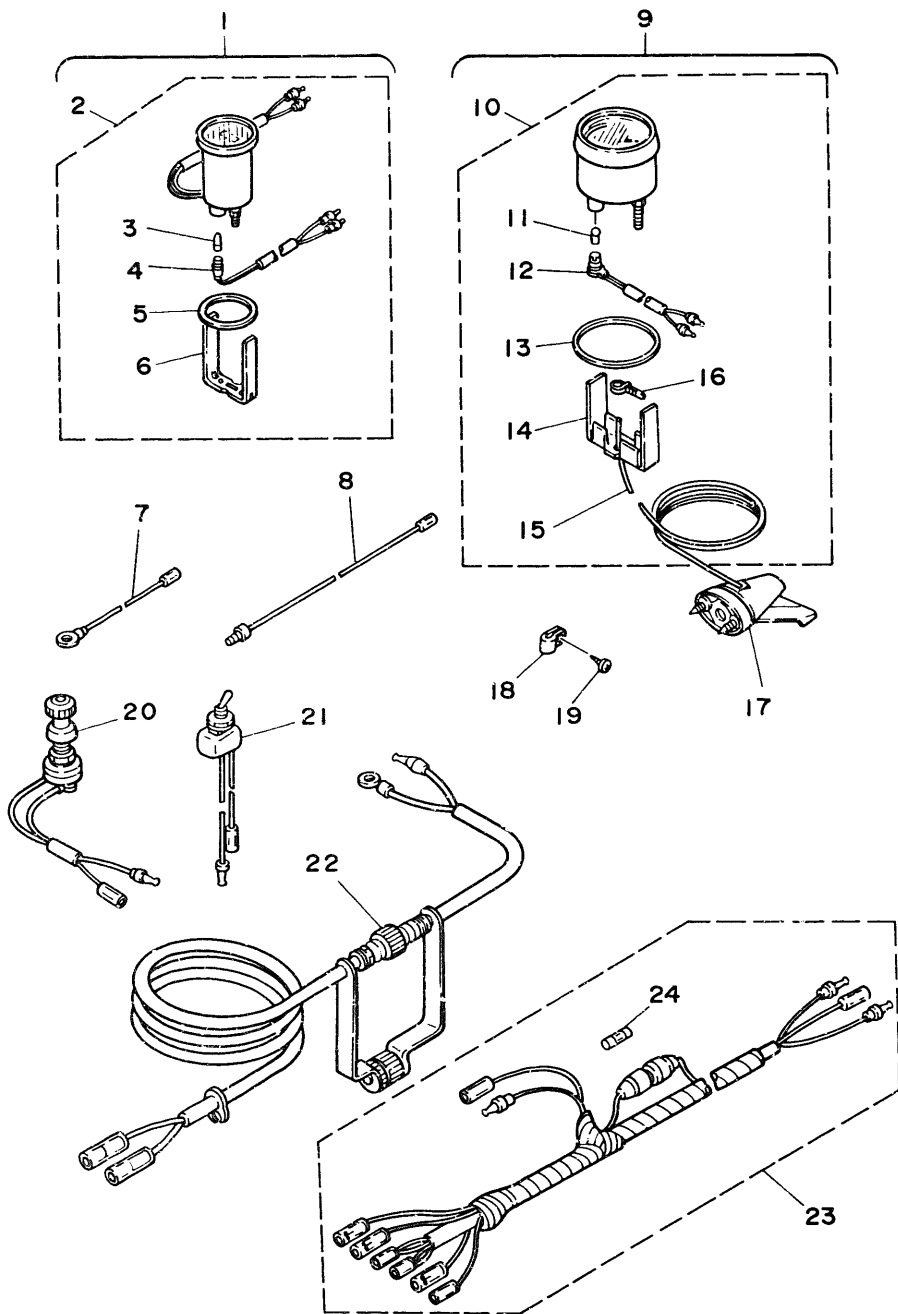


Fig. 25 OPTIONAL PARTS 3

Ref.No	Parts No.	Description	Qty	Ref.No	Parts No	Description	Qty
1	6Y5-W0080-10	TACHOMETER KIT	1	10	6Y5-W0088-20	FUEL METER KIT	1
2	6Y5-83540-10	. . TACHOMETER ASS'Y	1	11	6Y5-85750-00	. . FUEL METER ASS'Y	1
3	688-83516-00	. . BULB (12V-1.7W)	1	12	6Y5-83518-00	. . BULB (12V-1.7W)	1
4	688-83536-00	. . SOCKET, meter	1	13	6Y5-83536-00	. . SOCKET, meter	1
5	6Y5-83523-00	. . DAMPER	1	14	688-83664-00	. . DAMPER	1
6	6Y5-83514-00	. . PLATE, fitting	1	15	688-85756-00	. . PLATE, fitting	1
7	6Y5-83553-00	. WIRE, lead	1	16	688-85752-01	. . FUEL SENDER	1
8	1E6-82151-00	. . FUSE (6V-10A)	1	17	663-33553-Y0	. WIER, lead (Yellow)	1
9	6Y5-83553-10	WIRE, lead	1	18	663-83553-A0	. WIER, lead	1

Fig. 26 OPTIGNAL PARTS 4



Ref.No	Parts No	Description	Qty	Ref.No	Parts No	Description	Qty
1	6Y5-W0088-30	HOUR METER KIT	1	13	6Y5-83523-00	. . DAMPER	1
2	6Y5-83504-00	. . HOUR METER ASS'Y	1	14	6Y5-83514-00	. . PLATE, fitting	1
3	6Y5-83518-00	. . BULB, meter	1	15	688-83557-00	. . TUBE	1
4	6Y5-83536-00	. . SOCKET, meter	1	16	90465-11M10	. . CLAMP	2
5	688-83664-00	. . DAMPER	1	17	688-82556-01	. . SE'NDER	1
6	688-83557-00	. . PLATE, fitting	1	18	90601-31402	. . CLIP, nylon 14	5
7	663-83553-A0	. WIRE, lead	1	19	97780-40116	. . SCREW, panhead tapping	5
8	663-83553-Y0	. WIRE (Yellow)	1	20	688-82520-00	LAMP SWITCH ASS'Y	1
9	6Y5-W0081-40	SPEEDOMETER KIT	1	21	688-82526-30	SWITCH, lamp	1
10	6Y5-83510-30	. . SPEEDOMETER ASS'Y	1	22	689-82553-20	WIRE, lead	1
11	688-83516-00	. . BULB (12V-1.7W)	1	23	6Y5-83553-00	WIRE, lead	1
12	688-83536-00	. . SOCKET, meter	1	24	1E6-82151-00	. . FUSE (12V-10A)	1

Fig. 27 REPAIR KIT

Ref No.	Parts No.	Description	Q'ty	Ref.No.	Parts No.	Description	Q'ty
1	689-W0093-00	CARBURETOR REPAIR SET	1	26	655-24564-00	. PACKING, filter	1
2	648-14198-00	. GASKET	1	27	93210-37M25	. O-RING	1
3	648-14384-01	. GASKET, float chamber	1	28	650-24431-00	. GASKET, fuel pump	1
4	6E5-14385-01	. FLOAT	1	29	689-W0001-22	LOWER UNIT GASKET KIT	1
5	98580-04012	. SCREW, panhead	1	30	664-41134-00	. GASKET, exhaust manifold	1
6	92990-04100	. WASHER	1	31	689-44366-00	. DAMPER, water seal 2	1
7	6J0-14390-14	. VALVE SEAT ASS'Y	1	32	90430-08020	. GASKET	3
8	647-14323-00	. SCREW, air adjusting	1	33	689-44324-01	. GASKET	1
9	90306-05002	. BUSHING	2	34	93210-40M10	. O-RING	1
10	695-W0001-00	POWER HEAD GASKET KIT	1	35	93101-22067	. OIL SEAL	2
11	695-14476-00	. SEAL	1	36	689-44315-01	. GASKET, water pump 1	1
12	648-13621-00	. PACKING, valve seat	1	37	93210-60M17	. O-RING	1
13	648-13645-00	. GASKET, intake manifold	1	38	93101-20M07	. OIL SEAL	2
14	648-14198-00	. GASKET	1	39	689-44316-00	. GASKET, water pump 2	1
15	648-14384-01	. GASKET, float chamber	1	40	689-W0078-05	WATER PUMP REPAIR KIT	1
16	695-11181-00	. GASKET, cylinder head	1	41	626-44365-01	. DAMPER, water seal	1
17	655-12414-00	. GASKET, cover	1	42	689-44311-03	. HOUSING, water pump	1
18	664-15369-00	. GASKET, oil seal housing	1	43	90101-06M56	. BOLT	3
19	93102-23096	. OIL SEAL	1	44	689-W4432-02	. INSERT CARTRIDGE COMP.	1
20	664-41114-00	. GASKET, exhaust cover	2	45	689-44323-03	. OUTER PLATE, cartridge	1
21	93210-16275	. O-RING	1	46	689-44324-01	. GASKET	1
22	93210-58M21	. O-RING	1	47	689-44352-00	. IMPELLER	1
23	93102-25M04	. OIL SEAL	1	48	689-44316-00	. GASKET, water pump	1
24	93104-16M01	. OIL SEAL	2	49	664-44338-00	. KIT, woodruff	1
25	689-45113-01	. GASKET, upper casing	1				

NUMERICAL INDEX

PART NO.	REF. NO.	PART NO.	REF. NO.	PART NO.	REF. NO.	PART NO.	REF. NO.	PART NO.	REF. NO.	PART NO.	REF. NO.
689-W0001-22	27-29	648-14198-00	3-15	6H7-15771-00-94	4-31	664-41131-01-94	11- 2	695-42664-00	6-16	648-44146-00	10-45
695-W0001-00	27-10		27- 2	656-15772-00-94	4-32	689-41132-00-94	11- 7	689-42665-00	6-17	664-44147-00	12- 8
689-W0004-00	3-14		27-14	695-15772-40-94	16-17	689-41132-10-94	11- 7	695-42666-00	6-18	664-44150-01	12- 7
689-W0070-20	6- 2	646-14212-01	3-37	676-15773-00	4-23	664-41133-00	11- 8	689-42677-01	6- 3	664-44150-11	12- 7
689-W0078-05	27-40	646-14223-01	3-50	656-15774-41	17-14	664-41134-00	11- 9	6A9-42678-20	6- 4	664-44150-21	12- 7
689-W0078-3A	12-58	6A9-14301-01	3-24	689-15774-00	4-43		27-30	6G1-42683-00	6-19	664-44167-00	10-33
689-W0079-01	4-37	648-14321-00	3-35	689-15779-01	4-11	664-41135-00	11-10	689-42711-00-EJ	7- 1	689-44176-01	12- 5
6Y5-W0080-10	25- 1	647-14323-00	3-36	689-15789-00	4- 8	648-41210-01	3-38	664-42715-00	10-32	695-44194-00	14-26
6Y5-W0081-40	26- 9		27- 8	676-15799-01	4-19	6A9-41213-00-94	14-20	689-42716-00	8-54	689-44311-03	12- 9
6A9-W0084-01-EJ	9- 1	650-14327-00	3-39	6Y1-24203-81-24	5- 1	689-41216-00	3-42	689-42718-00	8-56		27-42
6Y5-W0088-20	25-10	6A9-14341-00	3-31	6Y1-24246-00	5- 2	664-41231-00	3-46	676-42724-40	19-27	689-44312-00-9M	12-12
6Y5-W0088-30	26- 1	648-14342-31	3-34	6Y1-24255-80	5- 3	662-41237-01	10-17	689-42724-50	17-30	689-44314-00	13-14
6A9-W0090-50-EJ	1- 1	689-14343-66	3-32	6Y1-24257-00	5- 4	656-41241-00	3-40	689-42725-00	7-16	689-44315-01	12-23
689-W0093-00	27- 1	664-14381-01	3-25	6Y1-24260-01	5- 6	689-41252-01	3-20	689-42725-40	23-14		27-36
689-W4432-02	12-15	648-14384-01	3-26	6Y1-24268-00	5- 7	695-41256-00	3-22		23-18	689-44316-00	12-57
	27-44		27- 3	6G1-24304-01	5-19	661-41262-02	3-23	6A1-42791-01	7- 2		27-39
689-W4432-61	12-59		27-15	6G1-24305-00	5-11		3-41	6G0-42796-00	7- 5		27-48
6A9-11111-00-94	1-13	648-14385-00	3-27	6Y1-24305-01	5-17	682-41271-00	3-18	689-42815-00	7- 9	689-44323-03	12-17
695-11181-00	1-14		27- 4	6Y1-24306-03	5-10	689-41273-00	3-19	689-42816-00	7-12		27-45
	27-16	6E5-14386-01	3-28	664-24311-00	5-31	695-41611-00-94	10-12	689-43111-01-EJ	8-18	689-44323-43	12-61
689-11325-00	1-11	6J0-14390-14	3-33	648-24312-01	5-48	695-41612-00	10-13	689-43112-01-EJ	8-19	689-44324-01	12-18
650-11370-00	1- 5	648-14390-14	27- 7	6Y1-24329-00	5- 8	695-41613-00	10-11	648-43114-01	8-23		27-33
624-11379-00	1- 4	646-14394-00	3-49	650-24351-00	5-16	6A9-41615-01	14-17	616-43118-00-EJ	8-20		27-46
695-11400-00	2- 1	646-14397-00	3-51	6Y1-24360-00	5-14	695-41616-00	1-34	689-43131-00	8-24	689-44325-02-9M	12-20
6G0-11412-00	2- 2	695-14417-00	3- 1	6A0-24410-01	5-32	664-41631-00-94	10- 1	6E5-43145-00	20- 9	689-44328-03	13-17
6G0-11422-00	2- 3	695-14418-01	3- 2	648-24411-00	5-33	648-41635-00	10- 8	663-43145-00	8-27	664-44338-00	12-27
6G0-11432-00	2- 4	695-14476-00	3- 5	663-24411-00	5-41	664-41636-00	10- 7	682-43160-01	8-35		27-49
695-11442-00	2- 5		27-11	6A0-24413-00	5-42	689-42111-00-EJ	9- 2	656-43165-01	8-36	689-44352-00	27-47
656-11515-00	2-12	624-14485-00	1- 3	6A0-24421-01	5-37	689-42112-00-EJ	9- 7	689-43191-00	8-28	689-44352-02	12-19
644-11610-50	2-15	664-14497-00	10- 5	648-24423-00	5-35	664-42119-00	9-11	689-43192-01	8-29	664-44361-00	13-11
664-11610-40	2-15	6A9-15100-01-94	1- 2	648-24424-00	5-34	656-42126-01	9-24	689-43311-02-EJ	8- 4	689-44361-10	13-11
664-11610-80	2-15	664-15359-01-94	1-24	650-24431-00	5-45	6A9-42137-20	9-13	682-43318-01	8-86	689-44361-20	13-11
664-11631-80-97	2-14	664-15369-00	1-25		27-28	689-42138-00	9-16	689-43373-01	8- 8	689-44362-00-94	13-15
648-11633-00	2-17		27-18	648-24434-00	5-36	656-42153-00-94	10-20	689-43614-00	8-47	626-44365-01	13-13
664-11635-80	2-14	689-15396-00-9M	2-25	6A0-24435-00	5-40	6A9-42154-00-94	10-19	648-43615-00	8-46		27-41
664-11636-80	2-14	676-15705-00	4-22	655-24521-01	5-27	6G1-42177-00	9-12	689-43616-00	8-41	689-44366-00	13-12
648-11651-03	2- 6	689-15710-00	4- 1	655-24560-01	5-24	656-42511-01-EJ	8- 1	648-43617-00	8-44		27-31
648-11681-00	2- 7	676-15711-00-94	4- 2	6F5-24563-00	5-25	689-42521-00-94	8-11	689-43631-00	8-38	689-44367-01	12-16
6F5-12411-01	1-20	676-15714-00-94	4-12	655-24564-00	27-26	682-42525-00	17-33	689-43633-00	8-39		12-60
655-12413-01-94	1-16	676-15717-00	4-15	648-24566-01	5-28	648-42528-00	8- 7	648-43642-00	8-42	664-44514-00-94	8-67
655-12414-00	1-17	676-15741-03	4-20	6Y1-24610-00	5- 5	624-42542-00	15- 4	689-43643-00	8-40	689-44516-00	8-61
	27-17	656-15748-00	4-38	689-26311-02	9-20	6A9-42610-G1-EJ	6- 1	689-43681-00	8-82	648-44518-01-9M	8-51
689-13610-00	3-13	656-15749-00	4-45	6E0-28100-00	5-49	689-42613-00-EJ	6- 5	689-44111-00-EJ	10-23	648-44519-00-94	8-57
648-13621-00	3- 8	619-15755-01	4- 9	6E0-28193-00-94	5-50	6G0-42615-00	6- 9	664-44113-01	10-24	689-44551-00-EJ	8-72
	27-12	689-15758-01-94	4- 4	664-41111-00	1-28	689-42647-00	6-10	689-44121-01	10-36	689-44552-00-EJ	8-73
648-13641-01-94	3- 6	689-15761-00	6- 8	664-41113-00-94	1-27	6G0-42651-00	6-12	689-44125-00	10-39	689-44553-00-94	8-79
648-13645-00	3- 9	689-15762-01	4- 7	664-41114-00	1-29	695-42662-01	6-14	664-44142-00	10-27	689-44555-00	8- 9
	27-13	656-15770-00	4-40		27-20	695-42663-01	6-15	664-44143-00	10-44	689-44557-00	8-78

NUMERICAL INDEX

PART NO.	REF. NO.	PART NO.	REF. NO.	PART NO.	REF. NO.	PART NO.	REF. NO.	PART NO.	REF. NO.	PART NO.	REF. NO.
648-44591-00	8-66	664-45941-01-EL	13-23	701-48236-00	21- 7	701-48320-20	18- 9	689-81840-11	16- 9	689-82575-02	7-17
664-44591-00	8-71	664-45943-01-EL	13-23	703-48236-00	22-19	701-48320-30	18- 9	689-81844-11	16- 5	689-82575-12	23-15
689-45111-01-EJ	11- 1	664-45945-00-EL	13-23	702-48237-00	21- 8	701-48320-40	18- 9	689-81850-11	16- 7	701-82575-51	21-47
689-45111-10-EJ	11- 1	664-45947-01-EL	13-23	702-48238-00	21- 9	701-48320-50	18- 9	689-81857-11	16- 2	689-82580-13	17-27
689-45113-01	11- 3	664-45949-02-EL	13-23	703-48238-00	22-25	701-48320-60	18- 9	663-81910-10	23- 8	663-82581-01	24- 7
	27-25	664-45952-00-EL	13-23	701-48239-00	21-28	701-48320-70	18- 9	661-81940-00	17- 1	688-82586-11	23-10
663-45119-00	8- 6	664-45987-00	13-18	701-48243-00	21-13	701-48320-80	18- 9	661-81941-10	17- 2		24-15
689-45127-00	11-13	689-45997-00	13-19	703-48243-00	22-18	701-48320-90	18- 9	695-81945-00	17- 4	688-82586-21	22-53
689-45211-20-EJ	11-14	701-48101-10	18- 1	703-48244-00	22-24	648-48330-50	19-15	661-81952-00	17- 3		24-14
689-45214-01	13- 7	701-48102-10	18- 5	703-48245-00	22-14	617-48331-90	19-19	664-81970-60	17- 6	688-82586-31	24-16
689-45215-01	13- 8	701-48110-22	18- 2	701-48246-00	21-23	648-48340-50	19- 9	676-81970-00	23- 4	689-82590-11	17-29
689-45300-03-EJ	12- 1	701-48110-31	18- 3	703-48246-00	22-26	701-48345-30	21-36	689-82105-12	17-28	703-82591-00	22-58
689-45300-13-EJ	12- 1	701-48110-80	18- 4	701-48248-00	21-11	703-48345-00	22-22	699-82149-A0	23-19	703-82592-00	22-59
689-45311-02-EJ	12- 2	701-48120-31	18- 6		22-16	648-48346-50	19-10	699-82149-00	23-20	689-82594-10	17-32
689-45318-00	11-15	701-48126-00	21-40	701-48249-00	21-10		19-16	682-82150-10	17-11	701-82594-00	21-42
689-45331-00-94	12-47	701-48152-11	21-12	701-48252-00	21- 3	701-48350-00	18- 9	1E6-82151-00	25- 8	703-82594-00	22-28
689-45344-00-94	12-25	701-48152-20	21-12	703-48252-00	22-15	701-48350-10	18- 9		26-24	703-83383-00	22-55
664-45371-01	13- 5	703-48153-00	22- 3	701-48255-00	21-20	701-48350-20	18- 9	663-82151-00	17-12	6Y5-83504-00	26- 2
664-45384-00	12-55	704-48153-12	21-33	701-48261-00	21-37	701-48358-00	21-38		23- 5	6Y5-83510-30	26-10
689-45501-00	12-26	701-48189-11	21-31	701-48261-10	21-37	703-48358-00	22-23	663-82317-00	15- 3	6Y5-83514-00	25- 6
689-45501-10	12-26	703-48189-00	22-20	703-48261-00	22- 1	617-48361-90	19-13	661-82370-20	15-20		26-14
689-45501-20	12-26	701-48196-11	21- 6	703-48263-00	22- 8	689-48501-01-EJ	19- 1	688-82510-11	24- 2	688-83516-00	25- 3
689-45536-00	12-29	701-48197-10	21- 2	703-48264-00	22- 9	689-48501-21-EJ	19- 1	703-82510-01	22-48		26-11
689-45551-00	12-33	703-48197-00	22- 6	703-48265-00	22-12	700-48510-12	19-22	689-82519-00	15-10	6Y5-83518-00	25-12
664-45552-00	12-32	701-48198-10	21-14	701-48266-00	21-29	689-48511-00	19-23	688-82520-00	26-20		26- 3
689-45560-00	12-37	703-48198-00	22-17	701-48268-00	21-17	648-48531-50	19- 2	688-82526-00	26-21	6Y5-83523-00	25- 5
664-45567-00-05	12-35	701-48213-00	21-18	703-48268-00	22- 7	648-48532-50	19- 3	695-82531-01	17- 5		26-13
664-45567-00-08	12-35	703-48215-00	22-46	701-48271-00	21-34	648-48534-50-EJ	19- 6	703-82531-00	22-50	6Y5-83536-00	25-13
664-45567-00-12	12-35	702-48217-00	22-47	701-48271-10	21-34	688-61301-00	20-11	689-82540-01	17-13		26- 4
664-45567-00-30	12-35	703-48219-00	22-33	703-48273-00	22- 5	6E5-61303-00	20-16	703-82540-00	22-54	688-83536-00	25- 4
664-45567-00-50	12-35	703-48220-10	18- 8	701-48280-00	21-46	688-61311-10	20-17	689-82550-01	23-11		26-12
689-45571-00	12-46	701-48221-00	21- 5	701-48281-10	21-15	6E5-61313-00	20-20	689-82550-11	23-12	6Y5-83540-10	25- 2
664-45576-00	12-50	703-48221-00	22-60	701-48282-00	21-27	6E5-61315-00	20-19	701-82550-50	21-39	6Y5-83553-00	25- 7
664-45577-00-05	12-49	701-48222-00	21-26	701-48283-00	21-41	689-61350-02	20- 1	689-82553-10	23- 9		26-23
664-45577-00-08	12-49	703-48222-00	22-30	703-48284-00	22-57	689-61351-01	20- 2	689-82553-20	23-13	6Y5-83553-10	25- 9
664-45577-00-12	12-49	703-48222-10	22-30	701-48287-00	21-44	695-81303-A0	14- 9		23-17	663-83553-A0	25-18
664-45577-00-30	12-49	703-48223-00	22-31		22-45	689-81332-01	4-36		26-22		26- 7
664-45577-00-50	12-49	703-48224-00	22-56	702-48288-00	21-22	648-81362-01	14-12	703-82554-00	22- 2	663-83553-Y0	25-17
664-45587-00-05	12-30	703-48225-00	22-32	701-48289-00	21-16	689-81800-12	16- 1	682-82556-00	7-18		26- 8
664-45587-00-08	12-30	703-48226-00	22-29	703-48290-01	18-10	689-81807-12	16- 3		22-52	688-83556-01	26-17
664-45587-00-12	12-30	703-48227-00	22-27	701-48291-00	21-43	689-81809-11	16- 6		23-16	688-83557-00	26- 6
664-45587-00-30	12-30	701-48229-00	21-25	703-48293-00	22-44	689-81810-11	16- 8		24- 5		26-15
664-45587-00-50	12-30	703-48230-10	18- 7	703-48293-10	22-44	689-81811-11	16-11	689-82570-13	24- 1	688-83664-00	25-14
689-45611-00	12-45	701-48232-00	21-30	701-48310-40	18- 9	689-81812-11	16-10	689-82571-01	24- 6		26- 5
664-45631-00	12-40	701-48234-00	21- 4	701-48310-60	18- 9	689-81813-10	16-12	688-82574-00	22-49	682-84380-00	23- 1
648-45633-00	12-42	703-48234-00	22-21	701-48310-80	18- 9	689-81820-11	16-13		24- 3	682-84381-00	7-15
648-45634-00	12-39	701-48235-00	21- 1	701-48310-90	18- 9	689-81826-10	16-14	688-82575-01	22-51		23- 2
648-45635-00	12-43	702-48235-00	22- 4	701-48320-00	18- 9	689-81830-11	16- 4		24- 4	682-84382-00	23- 3

NUMERICAL INDEX

PART NO.	REF. NO.	PART NO.	REF. NO.	PART NO.	REF. NO.	PART NO.	REF. NO.	PART NO.	REF. NO.	PART NO.	REF. NO.
695-85500-A0	14- 1	90170-06183	9-22	90266-04M01	6-11	90501-10264	19-12	92903-06200	14-19	92990-14200	13-20
695-85520-70	14- 5	90170-07021	10-46	90269-02001	9-14	90501-14M07	10-34	92903-06600	1-23	93101-20M07	12-53
695-85540-10	15-13	90170-09M03	20- 8	90280-05013	14-23	90501-23215	9-18		1-33		27-38
695-85542-00-94	15- 1	90170-09M05	20-15	90282-04010	12-56	90506-16M17	8-84		3-12	93101-22067	12-22
689-85547-00	15- 2	90170-12066	14-15	90340-08014	12- 3	90506-30055	8-50		3-17		27-35
689-85548-01	15-14	90170-14M06	20-21	90380-12012	8-52	90508-14M13	10-37		4- 6	93102-23096	1-26
695-85550-40	14- 2	90171-14013	13-21	90386-05002	3-43	90510-09M00	4-14		4-29		27-19
695-85560-A0	14- 3	90179-09M02	12-34		27- 9	90560-14076	9- 3		4-35	93102-25M04	27-23
695-85561-70	14- 4	90179-10M03	11-18	90386-08032	9-19	90601-31402	26-18		4-48	93102-25M20	2-23
6E7-85570-19	15-17	90185-05002	13-10	90386-10009	10-21	90890-44373	4-10		5-21	93104-16M01	2-24
695-85580-70	14- 6	90185-06062	9-26	90386-12069	7-11	91490-12010	10-31		5-47		27-24
6Y5-85750-00	25-11	90185-09M01	20- 4	90386-35M01	4-24	91490-16010	4-52		6- 7	93210-03261	17-24
688-85752-01	25-16		20-12	90386-38022	8-15		8-49		15- 9	93210-08287	5-12
688-85756-00	25-15	90185-10051	19-26	90386-38090	8-17		10-30		15-16		5-18
689-86111-01	17-15	90185-22043	8-26	90386-47M22	8-14	91490-20010	10-43		15-24	93210-16275	2-20
689-86112-01	17-19	90201-05556	10- 9	90387-06M02	10- 2	91490-30022	13-22		17-26		20-10
682-86116-00	17-18	90201-06050	15- 6	90387-06298	10- 3	91490-30025	11-12	92903-08600	4-26		27-21
682-86117-00	17-16	90201-06068	7-13	90387-06568	4-49	91690-30008	8-37		16-16	93210-26240	13-16
90101-06M56	12-10	90201-08M87	7-19	90387-08M25	7- 4	91690-30010	17-17		16-21	93210-37M25	5-26
	27-43	90201-08309	4-16	90387-09074	8-32	91690-30012	19-14	92903-10600	9-17		27-27
90101-08339	8-31	90201-10M20	20- 3	90387-10M39	8-53		19-20	92990-04100	3-30	93210-37160	8-16
90101-09M66	20- 5	90201-10M63	20- 6	90387-10M42	20- 7	91690-30016	8-30		27- 6	93210-40M10	12-21
90101-09M70	20-14	90201-10M76	20-13	90430-08020	12- 4	91690-40016	10-40	92990-05100	3-45		27-34
90105-06M07	8- 2	90201-12472	14-16		27-32	91690-40018	10-22		5-44	93210-58M21	2-22
	10-26	90201-18522	2-19	90445-07260	1- 9	91690-40020	4- 3	92990-05200	3-47		27-22
90105-06M08	8-55	90201-20417	12-44	90445-09M25	5-22		4-13	92990-05600	10-29	93210-60M17	12-51
90105-06M18	8-10	90201-21567	1-21	90445-11M78	5-15	91690-40035	8-83		10-42		27-37
90105-08M02	13- 6	90201-22428	8-25	90445-11M80	5-13	91690-40048	3-21	92990-06300	21-24	93306-00606	12-48
90105-10M12	13- 2	90201-28M28	9- 5	90461-06M01	14-24	92680-06090	22-42	92990-06600	2-27	93306-30510	2-10
90105-10059	13- 1	90201-50306	2-21	90461-06015	3-52	92780-06020	1-12		8-60	93310-522W0	2- 9
90109-06M18	8-85	90202-06007	10-28	90464-12M00	15-23	92780-06025	21-19		8-63	93315-017U4	12-28
90116-05220	10-16		10-41	90465-08M13	15-21	92880-10200	8-64		9-10	93315-22004	12-52
90116-06M07	15- 7	90202-10024	10-38	90465-11M10	26-16		8-69		12-14	93332-000U4	12-31
90116-06M08	3- 7	90202-12031	10-25	90467-06016	1-10	92890-10700	8-70		19- 5	93332-00005	12-36
90116-10M10	11-16	90202-34043	9- 4	90467-08004	5-23	92901-04100	24- 9		19- 8	93390-00009	2-11
90119-08M03	8-75	90206-05005	4-51	90480-10155	17-20	92903-05100	24-12	92990-08200	19-11	93430-04031	3-48
90119-08M18	1- 7	90206-08010	4-46	90480-12156	9-23	92903-05600	3- 4		19-17	93430-05027	8-45
	1-15	90206-12052	7-10	90480-15M06	7- 3		4-50	92990-08600	7- 7	93430-06M02	4-21
90119-08M20	1- 8	90206-28M07	9- 6	90480-17M08	15-22		10-15		8-33	93430-06024	21-35
90123-06049	4-41	90209-06M04	12-11		17-35		14-22		8-76		22-13
90123-06065	9-21	90209-22071	2- 8	90480-17165	17-31		17- 8		8-80	93440-62057	2-13
90147-03M00	5-38	90209-47016	8-13	90480-22039	19-21		17-23		11- 6	93450-20026	2-18
90149-14030	8-22	90214-45M00	12-54	90480-25161	15-18		23- 7		22-37	93602-20M02	2-16
90159-04035	14-11	90240-05046	8-48	90480-29045	8- 3		24-13	92990-10200	8-65	93604-10M03	12-24
90159-05038	14- 8	90243-04001	8-21	90501-09M08	10-35	92903-06100	1-19		8-68	93606-12019	1- 6
90159-05039	14- 7	90249-06M10	8-43	90501-10065	12-38		15-12	92990-10600	11-19		8-58
90159-05040	14-10	90250-05010	12-41	90501-10071	19-18		17-10		13- 3		11- 4
90161-06M00	17-34	90266-04M00	6-13	90501-10227	4-39	92903-06200	14-14		19-25		11-17

NUMERICAL INDEX

PART NO.	REF. NO.	PART NO.	REF. NO.	PART NO.	REF. NO.	PART NO.	REF. NO.	PART NO.	REF. NO.	PART NO.	REF. NO.
93606-12019	13- 4	97313-06030	4-28	98586-05016	5- 9						
93608-12063	8-12	97313-06035	3-11	98780-05012	22-34						
93700-06004	8- 5	97313-06040	5-46	98780-05016	22-35						
94702-00272	1-37	97313-06045	4-34	98813-03100	5-39						
95303-05600	10-10	97313-08025	4-17	98903-05025	24-10						
	10-18	97313-08035	4-25	99530-12016	4-27						
	24-11	97370-08012	16-15								
95303-05700	3-44	97375-08025	8-81								
95303-06600	1-36	97375-08030	11- 5								
	3-16	97375-10040	19-24								
	4-30	97380-05025	22-11								
	4-42	97390-06018	21-21								
	15- 8	97395-06012	19- 7								
95303-08600	4-18	97395-06018	8-59								
	5-30	97395-06020	8-62								
95303-08700	7- 6		9- 9								
95380-05600	22-10		9-25								
95380-06600	21-45	97395-06022	2-26								
	22-43	97395-06025	1-30								
95380-08600	8-34	97395-06030	1-31								
	8-77		16-19								
95380-08700	7- 8	97395-06035	1-32								
95380-14700	20-18		12-13								
97310-06016	19- 4	97395-06050	9- 8								
97313-05010	14-21		16-18								
97313-06010	4-44	97395-08030	16-20								
	7-14	97395-08065	8-74								
	14-25	97780-40116	26-19								
97313-06012	5-29	97780-50110	12- 6								
	6- 6	97803-05010	10-14								
	10- 6	97803-05012	17-22								
	14-13	97803-05025	17- 7								
	14-18	97803-05030	3- 3								
	15-11	97803-06025	23- 6								
	17- 9	97890-06016	11-11								
	17-25	98180-05025	9-15								
97313-06016	4- 5		13- 9								
97313-06020	1-18	98303-04008	24- 8								
	1-22	98380-08030	22-36								
	1-35	98503-04005	17-21								
	4-47	98503-04012	27- 5								
	5-20	98503-05028	5-43								
97313-06025	3-10	98580-03015	22-41								
	4-33	98580-04006	22-39								
	10- 4	98580-04010	22-38								
	15- 5	98580-04012	3-29								
	15-15	98580-05010	21-32								
	15-19		22-40								